



## Penal-Ware® 1741 Series

Penal-Pak - Wall Shower



1741-8MV-RD

Fixture May Show Some Available Options

Please visit [www.acorneng.com](http://www.acorneng.com) for most current specifications.

### Penal-Pak - Wall Shower

**Shower** is arranged to be installed on finished wall and serviced from an accessible pipe chase. Back of Shower is provided with anchor tappings. Optional Wall Sleeve or Metal Template is recommended for all installations for required wall openings. Fixture is fabricated from 14 gage, type 304 stainless steel with a satin finish.

**Showerhead** is chrome plated brass and is vandal-resistant. The Nozzle threaded into the body and then locked into place by a Set Screw. The spray pattern can only be changed by use of an Allen wrench inserted through the Nozzle.

**Valve** is a pneumatically operated, pushbutton Air-Control Valve using atmospheric air. Pushbutton is vandal-resistant and requires less than 5 pounds of force to activate Valve. Valve is metering, non-hold open type. Valve timing is adjustable from 5 to 60 seconds. Valve includes a 1.6 GPM flow restrictor and can be remotely located up to 10 feet from the operating pushbutton. Valve conforms with lead free requirements of NSF61, Section 9, 1997.

**Regularly furnished** items include an Air-Control Metering Valve, a Showerhead and hardware for walls up to 8" thick.

#### GUIDE SPECIFICATION

Provide and install Acorn Penal-Pak - Wall Shower (specify model number and options). Shower panel shall be fabricated from 14 gage, type 304 stainless steel and shall have a satin finish. Trim shall be stainless steel or chrome-plated brass. Shower Valve shall be Air-Control, metering, non-hold open type. Fixture shall be furnished with necessary fasteners for proper installation.



# Penal-Ware®: 1741 Penal-Pak - Wall Shower

## WALL THICKNESS AND TYPE (Must Specify)

Thickness: \_\_\_\_\_ Type:  Concrete  Block  Steel

## MODEL NUMBER AND OPTIONS SELECTION:

### BASE MODEL NUMBER

1741 Penal-Pak Wall Shower

### VALVE SELECTION (Must Specify)

#### Air-Control (Pneumatic)

- 03-M Single Temp, Metering
- 04-M Hot & Cold, Metering

#### T/P Mixing Valve (SV16)

- 8 ASSE Compliant T/P Balancing Mixing Valve w/ Patented Ligature Resistant and Vandal Resistant Tri-Lever Handle
- 8MV ASSE 1016 Compliant T/P Temperature/ Pressure Balancing Mixing Valve w/ Single-Temp Metering Valve & Patented ADA Compliant Ligature Resistant Tri-Lever Handle

#### Master-Trol® (Electronic)

- EVS1 Single Temp
- EVS2 Hot & Cold
- EVSP1 Single Temp, Piezo Button
- EVSP2 Hot & Cold, Piezo Buttons

#### Master-Trol® PLUS (Electronic)

- MTP1 Single Temp
- MTP2 Hot & Cold
- MTPP1 Single Temp, Piezo Button
- MTPP2 Hot & Cold, Piezo Buttons

## VALVE SELECTION (Continues)

### Time-Trol® (Electronic)

- MVC1 Single Temp
- MVC2 Hot & Cold

### Programmable (Electronic) w/9VDC Plug-In Transformer

- PPZ1 Single Temp Programmable Piezo Button
- PPZ2 Hot & Cold Programmable Piezo Buttons

### Valve By Others

- 9 Punched for Valve by Others

### VALVE OPTIONS

- BRS Brass Body Valve
- MA2 Manifolder, 2-Stack
- PBH Hemispherical Pushbutton
- TF Transformer, 120VAC to 24VAC (-MVC option only)

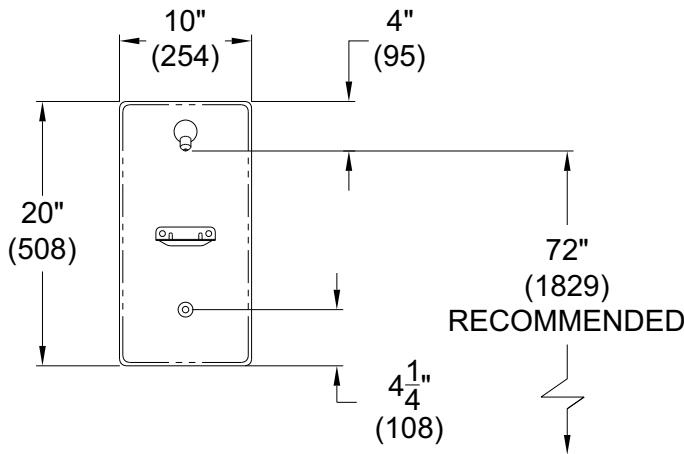
### SHOWERHEAD OPTIONS

- CSH Conical Showerhead
- F Flow Control
- 2.0 GPM (After July 1, 2018, This Option Will No Longer Be Available For Use in California)
- PYY Penal Showerhead w/Lockable Universal Ball Joint
- PZZ Penal Showerhead w/Lockable Up-Down Ball Joint
- SSV Space Saver Showerhead 20 Degree Discharge

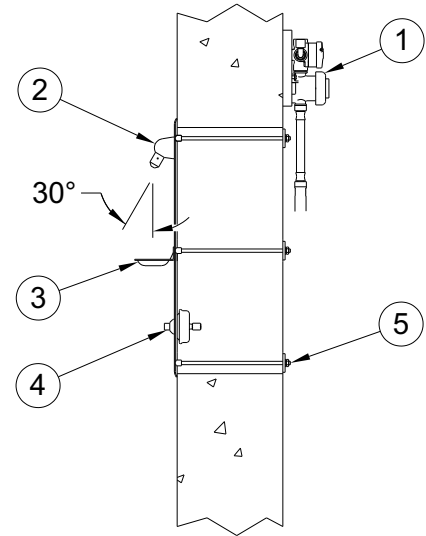
### PRODUCT OPTIONS

- D Soap Dish
- EG Enviro-Glaze, Specify Color: \_\_\_\_\_
- MT Metal Template (Only 1 Required Per Project)
- RD Recessed Soap Dish
- SW Wall Sleeve

Please visit [www.acorneng.com](http://www.acorneng.com) for most current specifications.



**1741-03-M-D**



### NOTES:

1. Optional -03-M Air-Control Valve
2. Penal Showerhead.
3. Optional -D Surface Mounted Soap Dish

4. Penal Pushbutton
5. Wall Mounting Hardware

**WARNING:** Cancer and Reproductive Harm - [www.P65Warnings.ca.gov](http://www.P65Warnings.ca.gov)

<b>Important:</b> Installation instructions and current rough-in are furnished with each fixture. Do not rough in without certified dimensions. Dimensions are subject to manufacturer's tolerance of plus or minus 1/4" and change without notice. Acorn assumes no responsibility for use of void or superseded data. © Copyright 2009 Acorn Engineering Company	
<p style="text-align: center;">Selection Summary</p> <p>Model No. &amp; Option _____</p> <p>Quantity _____</p>	<p style="text-align: center;">Approved for Manufacturing</p> <p>Company _____ Title _____</p> <p>Signature _____ Date _____</p>