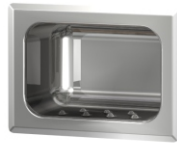




Penal-Ware® 1743 Series

Penal - Wall-Mounted Shower



1743-03-M-RD

Fixture May Show Some Available Options

Please visit www.acorneng.com for most current specifications.

Penal - Wall-Mounted Shower

Shower components are arranged to be installed on finished wall and serviced from an accessible pipe chase. Showerhead, Soap Dish and Pushbutton Panel are provided with Anchor Tappings, Anchor Plates and Supply connections. Optional Wall Sleeve or Metal Template is recommended for all installations to provide required wall openings. Pushbutton Panel is 14 gage, type 304 stainless steel with exterior polished to a satin finish.

Showerhead is chrome plated brass and is vandal-resistant. The Nozzle is threaded into the Body and secured into place using LOCTITE® (Threadlocker). The spray pattern can only be changed by the use of an Allen Wrench inserted through the Nozzle.

Valve is a pneumatically operated, pushbutton Air-Control Valve using atmospheric air. Pushbutton is vandal-resistant and requires less than 5 pounds of force to activate Valve. Valve is metering, non-hold open type. Valve timing is adjustable from 5 to 60 seconds. Valve includes a 1.6 GPM flow restrictor and can be remotely located up to 10 feet from the operating Pushbutton. Valve conforms with lead-free requirements of NSF61, Section 9.

Regularly Furnished items include a metering Air-Control Valve, a Showerhead, and rust-resistant Mounting Hardware for walls up to 8" thick.

GUIDE SPECIFICATION

Provide and install Acorn Penal - Wall-Mounted Shower (specify model number and options). Shower components shall be provided with Anchor Tappings, Anchor Plates, and Supply connections. Pushbutton Panel shall be 14 gage, type 304 stainless steel polished to a satin finish. All other Trim shall be chrome plated. Shower Valve shall be Air-Control, metering, non-hold open type. Components shall be furnished with all necessary Fasteners and Plate for proper installation.



Penal-Ware®: 1743 Penal - Wall-Mounted Shower

WALL THICKNESS AND TYPE (Must Specify)

Thickness _____ Type: Concrete Block Steel

MODEL NUMBER AND OPTIONS SELECTION

BASE MODEL NUMBER

1743 Penal Wall-Mounted Shower

VALVE SELECTION (Must Specify)

Air-Control (Pneumatic)

-03-M Single Temp, Metering

-04-M Hot & Cold, Metering

Master-Trol® (Electronic)

-EVS1 Single Temp

-EVS2 Hot & Cold

-EVSP1 Single Temp, Piezo Button

-EVSP2 Hot & Cold, Piezo Buttons

Master-Trol® PLUS (Electronic)

-MTP1 Single Temp

-MTP2 Hot & Cold

-MTPP1 Single Temp, Piezo Button

-MTPP2 Hot & Cold, Piezo Buttons

Time-Trol® (Electronic)

-MVC1 Single Temp

-MVC2 Hot & Cold

Programmable (Electronic) w/9VDC Plug-In Transformer

-PPZ1 Single Temp Programmable Piezo Button

-PPZ2 Hot & Cold Programmable Piezo Buttons

VALVE OPTIONS

-BRS Brass Body Valve

-MA2 Manifolder, 2-Stack

-PBH Hemispherical Pushbutton

-TF Transformer, 120VAC to 24VAC (-MVC option only)

SHOWERHEAD OPTIONS

-CSH Conical Showerhead

-F Flow Control

2.0 GPM (After July 1, 2018, This Option Will No Longer Be Available For Use in California)

-PYY Penal Lockable Universal Ball Joint

PRODUCT OPTIONS

-D Soap Dish

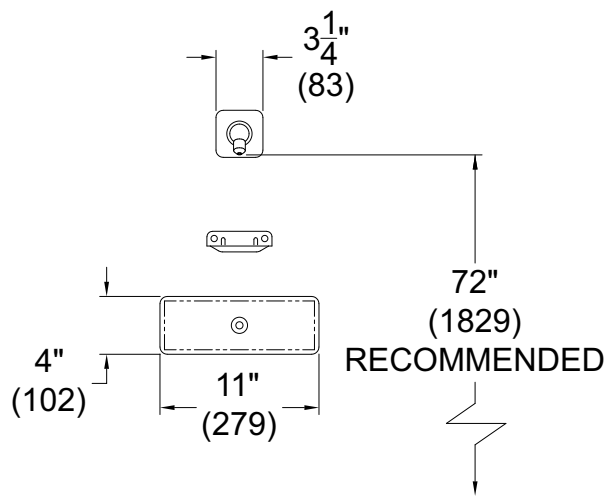
-EG Enviro-Glaze, Specify Color: _____

-MT Metal Template (Only 1 Required Per Project)

-RD Recessed Soap Dish

-SW Wall Sleeve

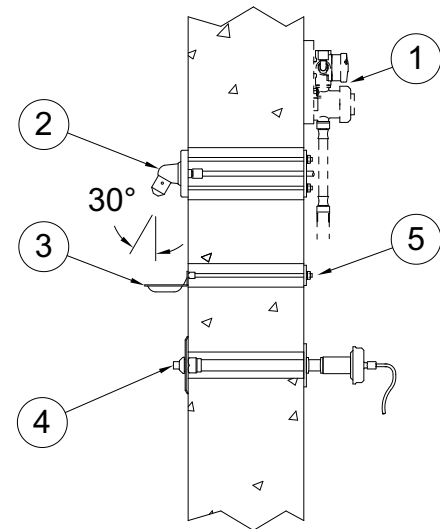
Please visit www.acorneng.com for most current specifications.



1743-03-M-D

NOTES:

1. Optional -03-M Air-Control Valve
2. Flanged Penal Showerhead
3. Optional -D Surface Mounted Soap Dish



4. Penal Pushbutton
5. Wall Mounting Hardware

WARNING: Cancer and Reproductive Harm - www.P65Warnings.ca.gov

<p>Important: Installation instructions and current rough-in are furnished with each fixture. Do not rough in without certified dimensions. Dimensions are subject to manufacturer's tolerance of plus or minus 1/4" and change without notice. Acorn assumes no responsibility for use of void or superseded data. © Copyright 2006 Acorn Engineering Company</p>	
<p>Selection Summary</p> <p>Model No. & Option _____</p> <p>Quantity _____</p>	<p>Approved for Manufacturing</p> <p>Company _____ Title _____</p> <p>Signature _____ Date _____</p>