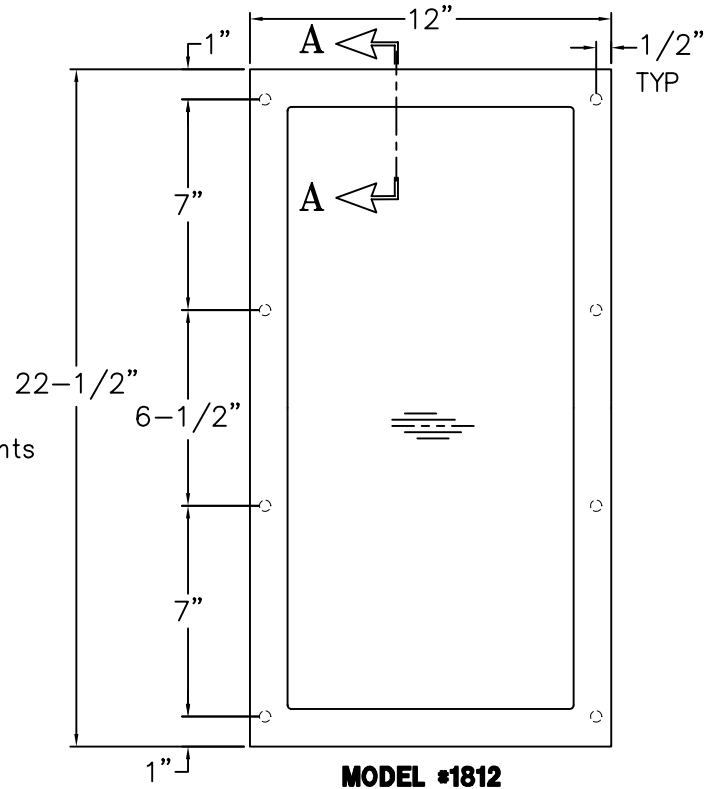
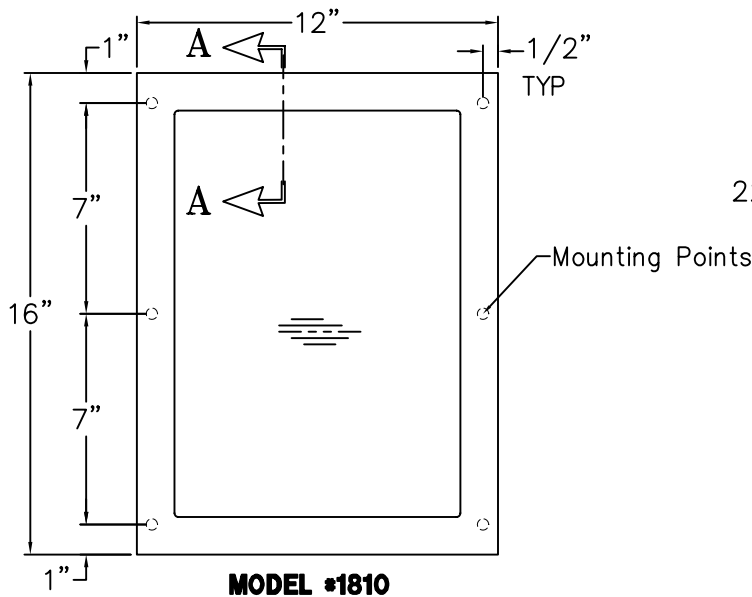


REFERENCE DRAWINGS	
1810, 1812 -SW Wall Sleeve	9925-292-001
Mounting Hardware	9957-900-001



INSTALLATION INSTRUCTIONS:

- A- HAND TIGHTEN 1/4"-20 UNC STUDS ① INTO MOUNTING NUTS ② ON BACK OF MIRROR FRAME ③.
- B- POSITION MIRROR ④ AND WOOD PLANKS (2) ⑤ INTO FRAME WITH MIRROR CENTERED IN FRAME.
- C- POSITION MIRROR ASSEMBLY ③ ON CELL SIDE, SLIDING STUDS ① THROUGH SLEEVE OR WALL OPENINGS.

- D- FROM CHASE SIDE PLACE WASHERS ⑥ AND NUTS ⑦. PROVIDED ONTO STUDS AND TIGHTEN.
- NOTE:** DO NOT EXCEED 6.5 FT/LBS MAXIMUM TORQUE ON 1/4"-20 NUTS ⑦.



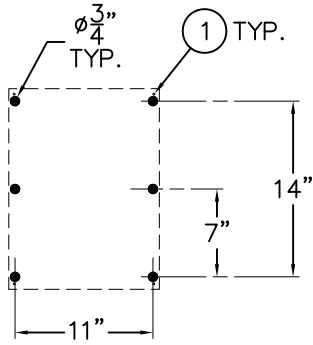
ACORN ENGINEERING COMPANY
P.O. BOX 3527 INDUSTRY, CA. 91744
(626) 336-4561 FAX (626) 961-2200

TITLE		
REAR MOUNTED SECURITY MIRRORS, CAT #1810 & #1812		
MANUFACTURE DATE	DATE ISSUED	DRAWING NUMBER
DECEMBER 1971 TO PRESENT	11/20/96	
	DATE REVISED	9925-132-001
	04/26/10	

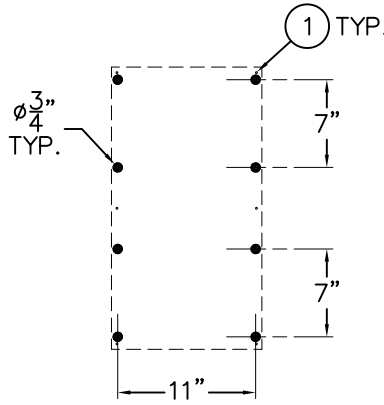


BOTH VIEWS ARE FROM CELL SIDE

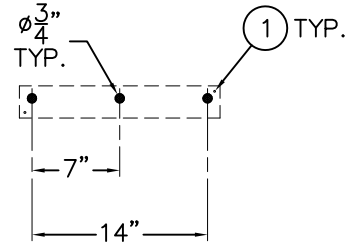
SHADED AREAS ARE REQUIRED WALL OPENINGS



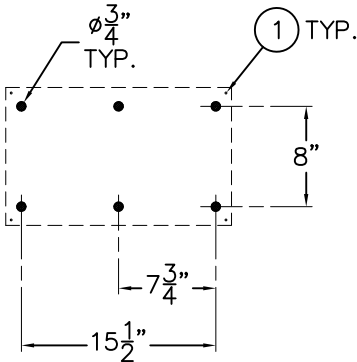
CAT. #1810



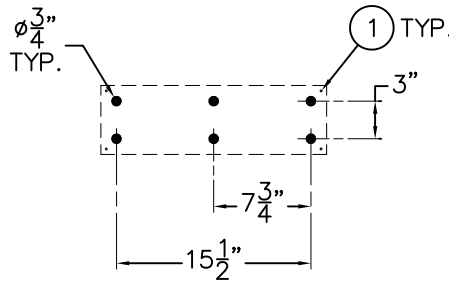
CAT. #1812



CAT. #1821 & 1822



CAT. #1823



CAT. #1825 & 1827

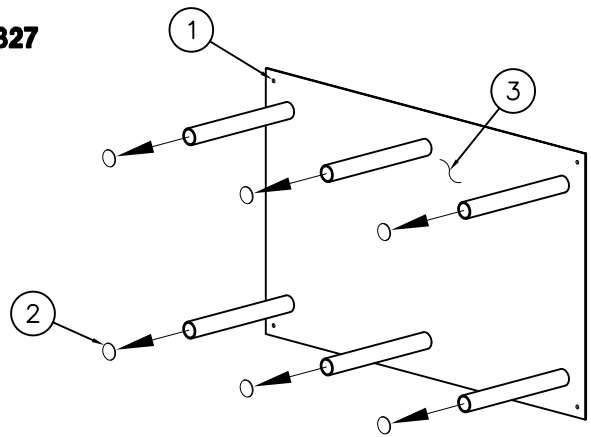
INSTALLATION INSTRUCTIONS:

SLEEVES ARE INSTALLED IN FORMS USING NAIL HOLES
 ① PROVIDED OR GROUTED INTO BLOCK WALLS BECOMING
 A PERMANENT PART OF THE WALL.

NOTE: FOR POURED WALL CONSTRUCTION, TEMPORARY
 BRACING SHOULD BE INSTALLED WITHIN OPENING TO
 PREVENT DEFORMATION TO SLEEVE WHICH MAY OCCUR
 DURING POUR. DO NOT POUR CONCRETE DIRECTLY ON TOP
 OF WALL SLEEVE. THE OPENINGS ARE CAPPED; THESE CAPS
 ② MUST BE REMOVED FROM THE CHASE SIDE OF THE WALL
 SLEEVE BEFORE INSTALLING FIXTURE.

A- INSTALL SLEEVE AT DESIRED CELL SIDE HEIGHT WITH
 FLANGE ③ ON CHASE SIDE OF WALL.

B- WHEN SLEEVES ARE NOT AVAILABLE BLOCKOUT WITH
 DIMENSIONS SHOWN.



*#1823 SHOWN FOR REFERENCE
 SCALED x 2*

ACORN ENGINEERING COMPANY P.O. BOX 3527 Industry, CA 91744 15125 Proctor Ave Industry, CA 91746 (626) 336-4561 FAX (626) 961-2200	TITLE WALL SLEEVES (CAT. #1810, 1812, 1821, 1822, 1823 & 1825)		
	MANUFACTURE DATE DECEMBER 1971 TO PRESENT	DATE ISSUED 03/01/90 <hr/> DATE REVISED 10/30/12	DRAWING NUMBER 9925-292-001