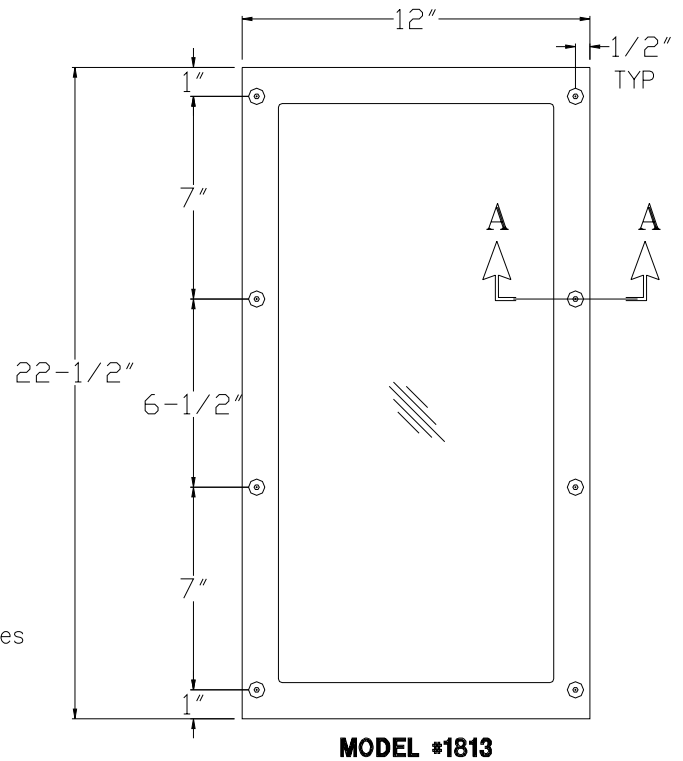
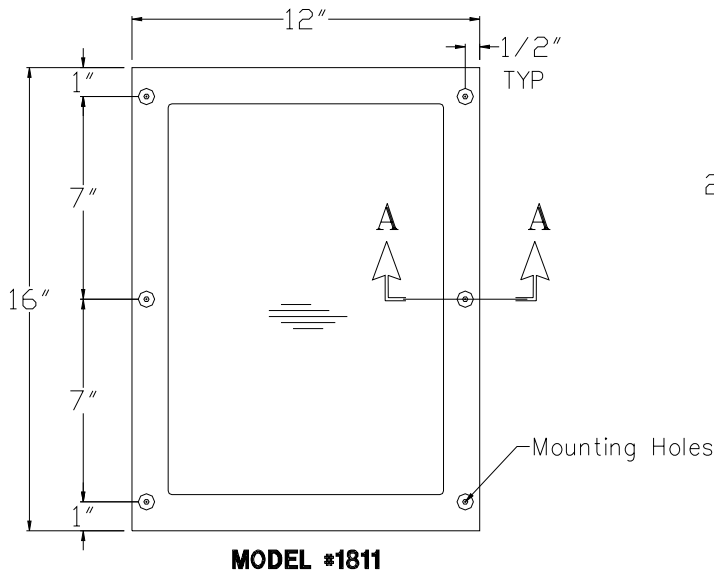


REFERENCE DRAWING	
Fasteners	9951-005-001



INSTALLATION INSTRUCTIONS:

A—USE PUNCHED MOUNTING HOLES ON MIRROR ① AS A TEMPLATE FOR MARKING THE LOCATIONS FOR THE WALL ANCHORS ② (BY OTHERS) ON THE WALL.

B—INSTALL WALL ANCHORS ② (BY OTHERS).

C—FASTEN MIRROR ① TO WALL USING SCREWS ③ PROVIDED.



ACORN ENGINEERING COMPANY
P.O. BOX 3527 INDUSTRY, CA. 91744
(626) 336-4561 FAX (626) 961-2200

TITLE		
FRONT MOUNTED SECURITY MIRRORS CAT #1811, #1813 & #1817		
MANUFACTURE DATE	DATE ISSUED	DRAWING NUMBER
DECEMBER 1971	4/8/97	9925-133-001
TO PRESENT	DATE REVISED	