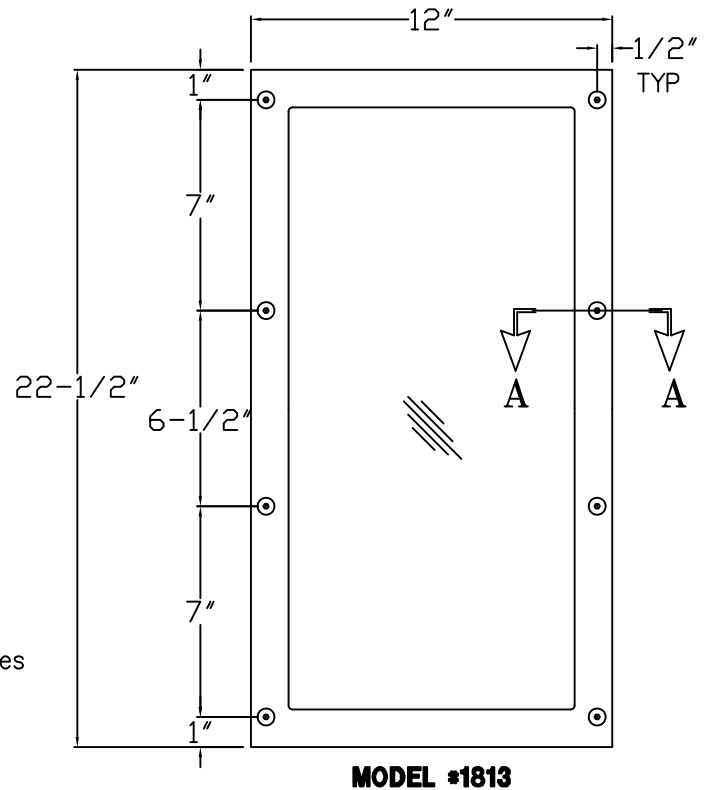
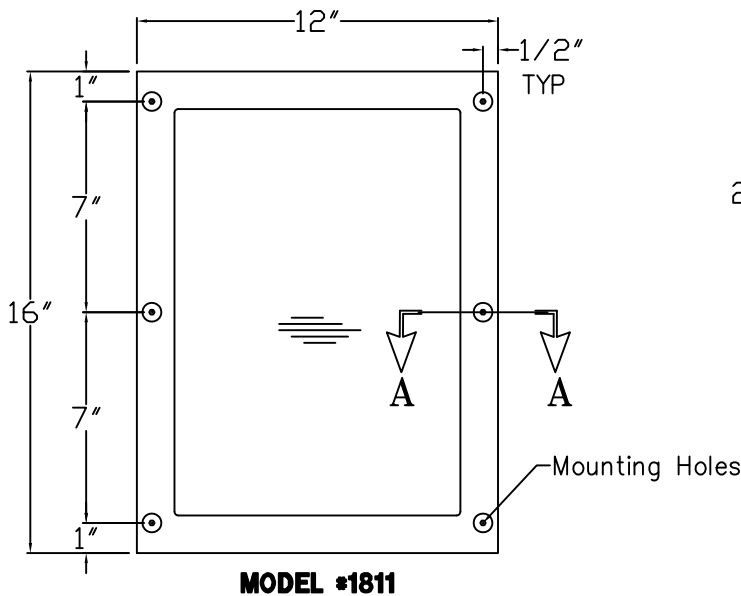


REFERENCE DRAWING	
Fasteners	9951-005-001



**INSTALLATION INSTRUCTIONS:**

A— USE PUNCHED MOUNTING HOLES ON MIRROR ① AS A TEMPLATE FOR MARKING THE LOCATIONS FOR THE WALL ANCHORS ② (BY OTHERS) ON THE WALL.

B— INSTALL WALL ANCHORS ② (BY OTHERS).

C— FASTEN MIRROR ① TO WALL USING SCREWS ③ PROVIDED.



ACORN ENGINEERING COMPANY  
P.O. BOX 3527 Industry, CA 91744  
15125 Proctor Ave Industry, CA 91746  
(626) 336-4561 FAX (626) 961-2200

TITLE		
<b>FRONT MOUNTED SECURITY MIRRORS CAT #1811, #1813 &amp; #1817-A</b>		
MANUFACTURE DATE	DATE ISSUED	DRAWING NUMBER
<b>DECEMBER 1971 TO PRESENT</b>	<b>4/8/97</b>	<b>9925-133-001</b>
	DATE REVISED	
	<b>09/08/14</b>	