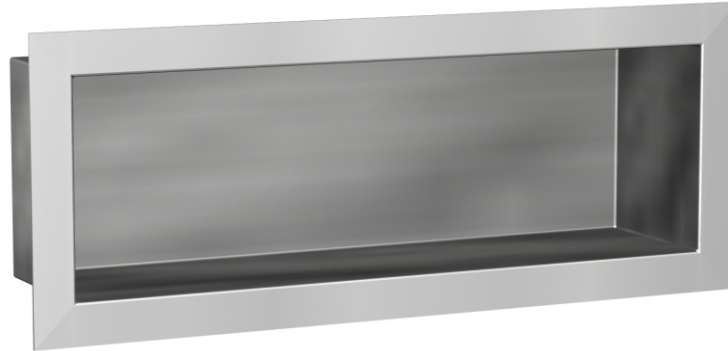




## Penal-Ware® 1820 Series Recessed Shelf



1820

Fixture May Show Some Available Options

Please visit [www.acorneng.com](http://www.acorneng.com) for most current specifications.

### Recessed Shelf

**The Acorn Recessed Shelf** is ideal for Penal use as it presents no possibility of being used as a suicide device. Shelf is tall enough to hold any item normally used in conjunction with a Lavatory. Fixture is arranged to be installed on the finished wall from an accessible pipe chase. Optional Wall Sleeve is recommended for all installations for required wall openings. Recessed Shelf is fabricated from type 304 stainless steel and is of seamless welded construction. Exposed welds are ground smooth. Exposed surfaces have a satin finish. All models are furnished with heavy nuts welded on the back side. Shelf for wall thickness up to 4-1/4" thick is furnished with a heavy steel back plate. The back plate has two 1/2" adjusting studs which, when turned clockwise, pull the rim snugly to the wall, permanently anchoring the assembly. Shelf for thicker walls is similar, except the back plate is furnished with 1/4" full thread studs and nuts that permanently anchor the assembly.



# Penal-Ware®: 1820 Recessed Shelf

## WALL THICKNESS AND TYPE (Must Specify)

Thickness \_\_\_\_\_ Type: \_\_\_ Concrete \_\_\_ Block \_\_\_ Steel

## Product Options

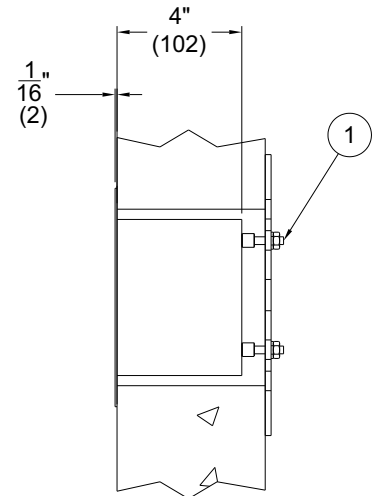
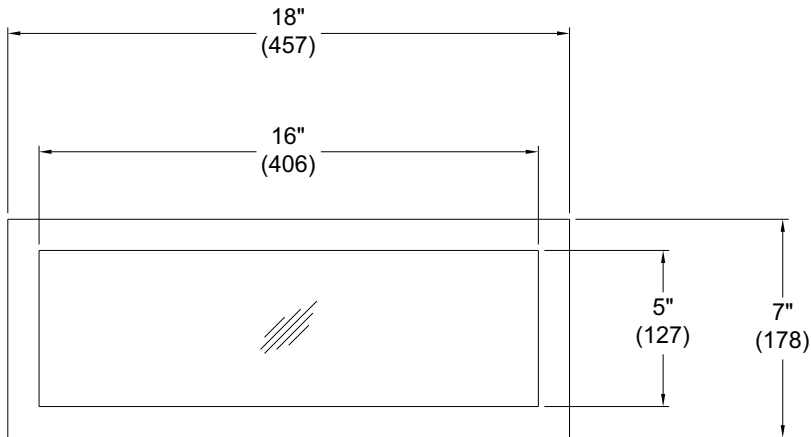
-SW - Wall Sleeve

## MODEL NUMBER AND OPTIONS SELECTION

### BASE MODEL NUMBER

-1820 Recessed Shelf

Please visit [www.acorneng.com](http://www.acorneng.com) for most current specifications.



1820

### NOTES:

1. Wall Mounting Hardware.

**WARNING:** Cancer and Reproductive Harm - [www.P65Warnings.ca.gov](http://www.P65Warnings.ca.gov)

<p><b>Important:</b> Installation instructions and current rough-in are furnished with each fixture. Do not rough in without certified dimensions. Dimensions are subject to manufacturer's tolerance of plus or minus 1/4" and change without notice. Acorn assumes no responsibility for use of void or superseded data. © Copyright 2006 Acorn Engineering Company</p>	
<p style="text-align: center;">Selection Summary</p> <p>Model No. &amp; Option _____</p> <p>Quantity _____</p>	<p style="text-align: center;">Approved for Manufacturing</p> <p>Company _____ Title _____</p> <p>Signature _____ Date _____</p>