



## Penal-Ware® 1823 Series Bookshelf



1824



1825

Fixture May Show Some Available Options

Please visit [www.acorneng.com](http://www.acorneng.com) for most current specifications.

### Bookshelf with Clothes Hooks

**The Acorn Bookshelf** is recommended for installation in cells or day rooms. Bookshelf provides a convenient place to store books and other personal effects. All models are fabricated of 14 gage type 304 stainless steel with exposed surfaces polished to a satin finish. Auto release clothes hooks are tested to hold a minimum of 20 lbs. and fail at 40 lbs. or greater on those models that include clothes hooks.

**Model 1823 Bookshelf with Hooks** is rear mounted and features four auto release clothes hooks. Rear mount shelves are furnished with 1/4" steel studs, heavy washers and nuts for installing onto walls up to 8" thick.

**Model 1824 Bookshelf with Hooks** is front mounted and features four auto release clothes hooks. Front mounted shelves are furnished with 1/4"-20 UNC tamper-resistant screws for installer provided wall anchors.

**Model 1825 Bookshelf** is rear mounted, similar to Model 1823 - without the clothes hooks.

**Model 1826 Bookshelf** is front mounted, similar to Model 1824 - without the clothes hooks.



# Penal-Ware®: 1823 Bookshelf

## WALL THICKNESS AND TYPE (Must Specify)

Thickness \_\_\_\_\_ Type: \_\_\_ Concrete \_\_\_ Block \_\_\_ Steel

## Product Options

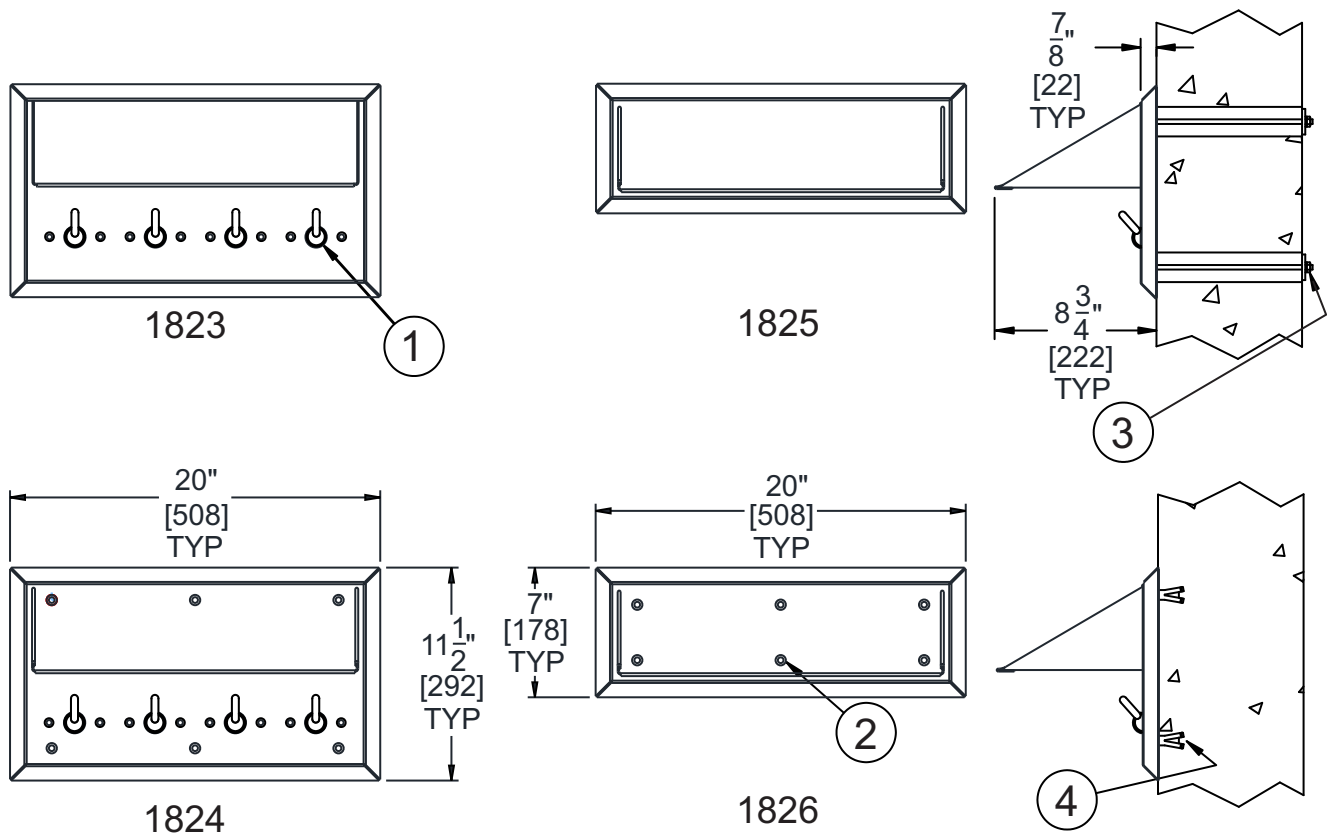
-SW Wall Sleeve

## MODEL NUMBER AND OPTIONS SELECTION

### BASE MODEL NUMBER

- 1823 Bookshelf with Hooks, Rear Mount
- 1824 Bookshelf with Hooks, Front Mount
- 1825 Bookshelf, Rear Mount
- 1826 Bookshelf, Front Mount

Please visit [www.acorneng.com](http://www.acorneng.com) for most current specifications.



## NOTES:

1. Auto-Release Clothes Hooks.
2. Tamper Resistant Screws.

3. Wall Mounting Hardware.
4. Wall Mounting Anchors (By Others).

**WARNING:** Cancer and Reproductive Harm - [www.P65Warnings.ca.gov](http://www.P65Warnings.ca.gov)

<b>Important:</b> Installation instructions and current rough-in are furnished with each fixture. Do not rough in without certified dimensions. <small>Dimensions are subject to manufacturer's tolerance of plus or minus 1/4" and change without notice. Acorn assumes no responsibility for use of void or superseded data. © Copyright 2009 Acorn Engineering Company</small>	
<p style="text-align: center;">Selection Summary</p> <p>Model No. &amp; Option _____</p> <p>Quantity _____</p>	<p style="text-align: center;">Approved for Manufacturing</p> <p>Company _____ Title _____</p> <p>Signature _____ Date _____</p>