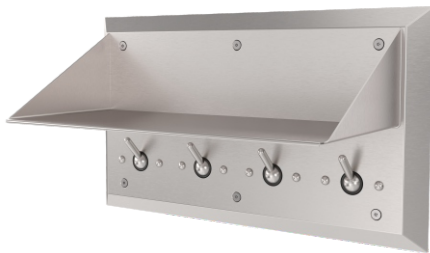




## Dura-Ware® 1824 Series

Bookshelf with Clothes Hooks



1824



1826

Fixture May Show Some Available Options

Please visit [www.acorneng.com](http://www.acorneng.com) for most current specifications.

### Bookshelf with Clothes Hooks

**The Acorn Bookshelf** is recommended for installation in cells or day rooms. Bookshelf provides a convenient place to store books and other personal effects. All models are fabricated of 14 gage type 304 stainless steel with exposed surfaces polished to a satin finish. Auto release clothes hooks are tested to hold a minimum of 20 lbs. and fail at 40 lbs. minimum on those models that include clothes hooks.

**Optional (-ECO) Econo Clothes Hooks** are fabricated of heavy gage stainless steel and use a vertical break away style assembly. The -ECO Econo Clothes Hook option may be used in lieu of the standard auto release style hook on Bookshelves with Clothes Hook models. Individual clothes hook tension is adjustable by tightening or loosening adjustment screw.

**Model 1824 Bookshelf with Hooks** are front mount and feature four auto release clothes hooks.

**Bookshelf Model 1826** is similar to 1824 - without the clothes hooks.

**Both models** are front mounted and furnished with 1/4"-20 UNC tamper-resistant screws for installer provided wall anchors.



# Dura-Ware®: 1824 Bookshelf with Clothes Hooks

## MODEL NUMBER AND OPTIONS SELECTION

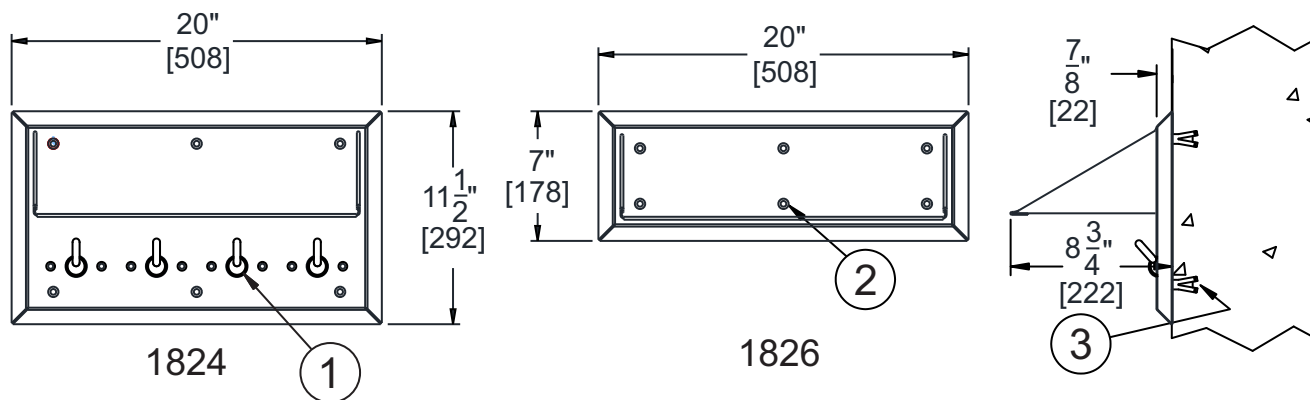
## Product Options

### BASE MODEL NUMBER

- 1824 Bookshelf with Clothes Hooks
- 1826 Bookshelf

- ECH Econo Clothes Hook

Please visit [www.acorneng.com](http://www.acorneng.com) for most current specifications.



### NOTES:

1. Auto-Release Clothes Hooks.
2. Tamper Resistant Screws.
3. Wall Mounting Anchors (By Others).

<p><b>Important:</b> Installation instructions and current rough-in are furnished with each fixture. Do not rough in without certified dimensions.  <small>Dimensions are subject to manufacturer's tolerance of plus or minus 1/4" and change without notice. Acorn assumes no responsibility for use of void or superseded data. © Copyright 2006 Acorn Engineering Company</small></p>	
<p style="text-align: center;">Selection Summary</p> <p>Model No. &amp; Option _____</p> <p>Quantity _____</p>	<p style="text-align: center;">Approved for Manufacturing</p> <p>Company _____ Title _____</p> <p>Signature _____ Date _____</p>