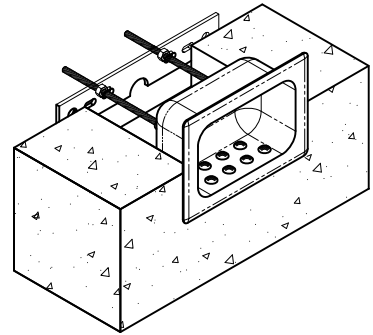
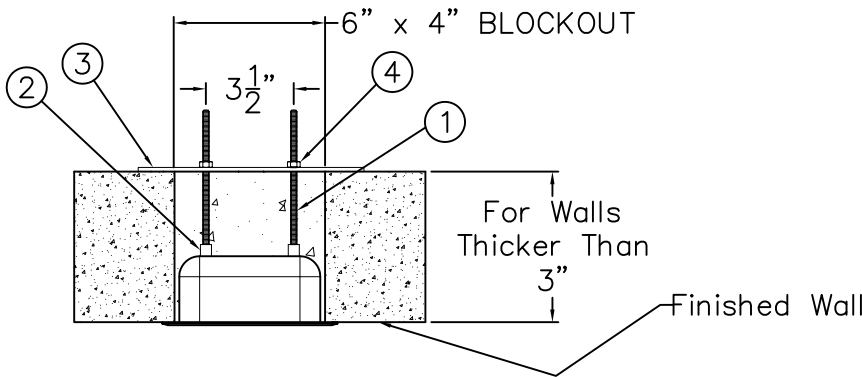


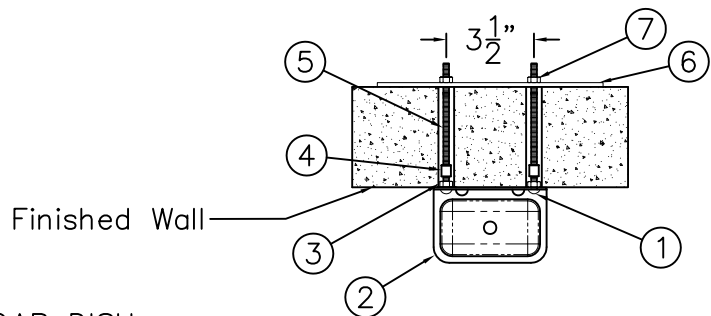
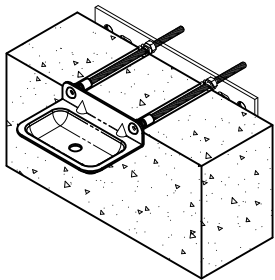
**INSTALL INSTRUCTIONS:** -RD RECESSED SOAP DISH FOR WALL LESS THAN 3".

Assemble Inside Threaded Rods ① Onto Rear Of Soap Dish. Position Assembly In Block-Out And Hold Until Secure. From Chase Side, Assemble Outside Threaded Rods ② To Back Plate ③ And Secure To Soap Dish With Washers And Nut ④ Provided. Turn Threaded Rods ② By Hand Until Wall Is Reached. Create Tension By Tightening Nuts On Inside Rods ① As Shown.



**INSTALL INSTRUCTIONS:** -RD RECESSED SOAP DISH FOR WALL THICKER THAN 3".

Connect Threaded Rod ① To Soap Dish ②. From Fixture Side Of Wall Slide Soap Dish ② And Rods ① Through Wall Block Out. On Chase Side Install Back Plate ③ And Tighten With Hex Nut ④ And Tighten Until Secure.



**INSTALL INSTRUCTIONS:** SURFACE MOUNTED SOAP DISH

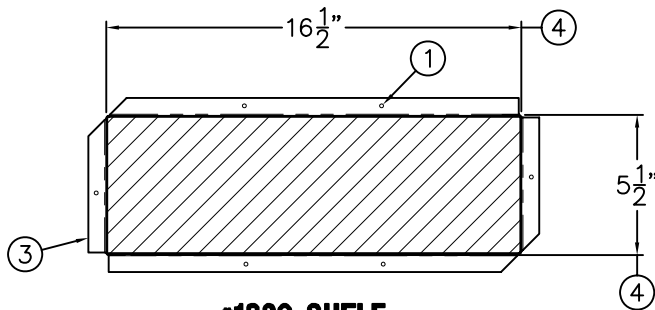
Fasten Round Head No Slot Screws ① To Soap Dish ② With Hex Nut ③. Connect Threaded Rod ⑤ To Collar ④, Threading On Approximately Half Way And Connect To Round Head Screws ①. From Shower Side Slide Rods ⑤ Through Holes In Wall. On Chase Side Install Back Plate ⑥ And Tighten Hex Nut ⑦ Until Secure.

<p>ACORN ENGINEERING COMPANY P.O. BOX 3527 Industry, CA 91744 15125 Proctor Ave Industry, CA 91746 (626) 336-4561 FAX (626) 961-2200</p>	<p>TITLE <b>1832 &amp; 1835 SURFACE MOUNTED &amp; RECESSED SOAP DISHES</b></p>		
	<p>MANUFACTURE DATE</p> <p><b>MAY 1975</b></p> <p><b>PRESENT</b></p>	<p>DATE ISSUED</p> <p><b>03/01/90</b></p> <p>DATE REVISED</p> <p><b>09/30/14</b></p>	<p>DRAWING NUMBER</p> <p><b>9925-130-001</b></p>

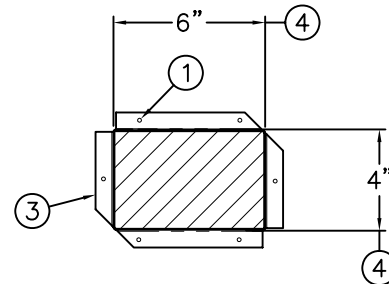


**BOTH VIEWS ARE FROM CELL SIDE.**

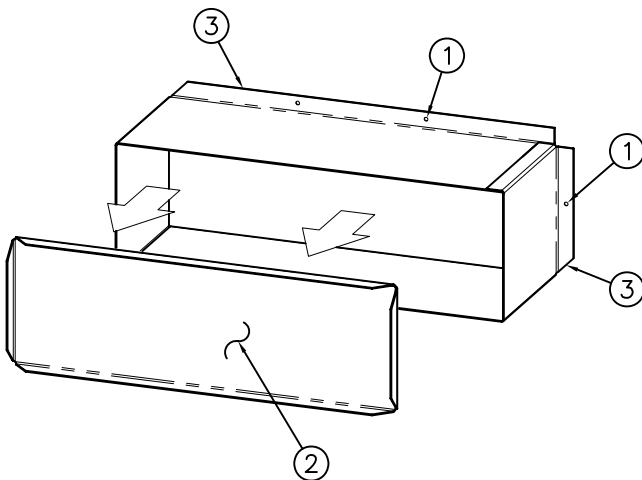
SHADED AREAS ARE REQUIRED WALL OPENINGS OR BLOCKOUTS.



**#1820 SHELF**  
-SW WALL SLEEVE



**#1832 RECESSED SOAP DISH**  
-SW WALL SLEEVE



**INSTALLATION INSTRUCTIONS:**

SLEEVES ARE INSTALLED IN FORMS USING NAIL HOLES ① PROVIDED OR GROUTED INTO BLOCK WALLS BECOMING A PERMANENT PART OF THE WALL.

NOTE: FOR POURED WALL CONSTRUCTION, TEMPORARY BRACING SHOULD BE INSTALLED WITHIN OPENING TO PREVENT DEFORMATION TO SLEEVE WHICH MAY OCCUR DURING POUR. DO NOT POUR CONCRETE DIRECTLY ON TOP OF WALL SLEEVE. THE OPENING IS CAPPED; THIS CAP ② MUST BE REMOVED FROM THE CHASE SIDE OF THE WALL SLEEVE BEFORE INSTALLING SHELF OR RECESSED SOAP DISH.

A- INSTALL SLEEVE AT DESIRED CELL SIDE HEIGHT WITH FLANGE ③ ON CHASE SIDE OF WALL.

B- USE BLOCKOUT DIMENSIONS ④ WHEN SLEEVES ARE NOT AVAILABLE.



**ACORN ENGINEERING COMPANY**  
P.O. BOX 3527 INDUSTRY, CA. 91744  
(626) 336-4561 FAX (626) 961-2200

TITLE <b>-SW WALL SLEEVE FOR #1820 &amp; #1832</b>		
MANUFACTURE DATE <b>DECEMBER 1971</b> <b>TO PRESENT</b>	DATE ISSUED <b>03/01/90</b>	DRAWING NUMBER <b>9925-291-001</b>
	DATE REVISED <b>02/11/09</b>	