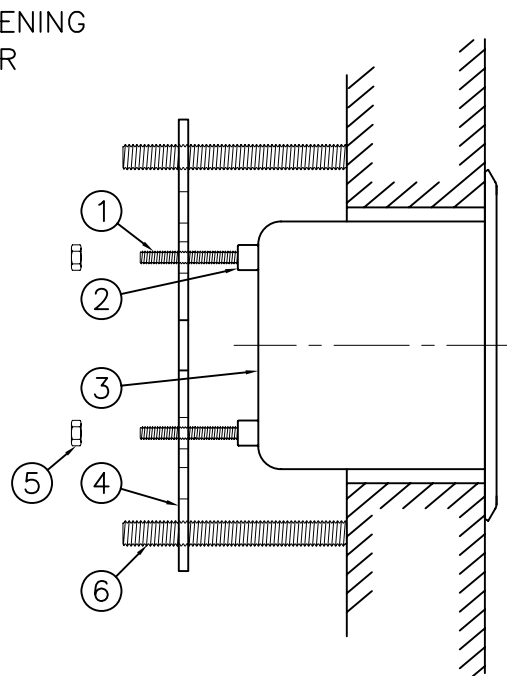


**MOUNTING DETAIL  
FOR WALLS 5-1/4" THICK OR GREATER**



**MOUNTING DETAIL  
FOR WALLS LESS THAN 5-1/4" THICK**

REFERENCE DRAWINGS	
1840 -SW Wall Sleeve	9925-290-001
Mounting Hardware	9957-900-001

**INSTALLATION INSTRUCTIONS:**

WALLS 5-1/4" THICK OR GREATER

- A-HAND TIGHTEN (2) MOUNTING STUDS (1) INTO NUTS (2) ON BACK OF RECESSED PAPER HOLDER (3). PLACE THE RECESSED PAPER HOLDER (3) IN WALL OPENING.
- B-FROM CHASE SIDE, PLACE BACK PLATE (4) OVER STUDS (1). SCREW NUTS (5) ONTO STUDS (1), & TIGHTEN. NOTE: DO NOT EXCEED 6.5 FT/LBS MAX. TORQUE ON MOUNTING NUTS (5).

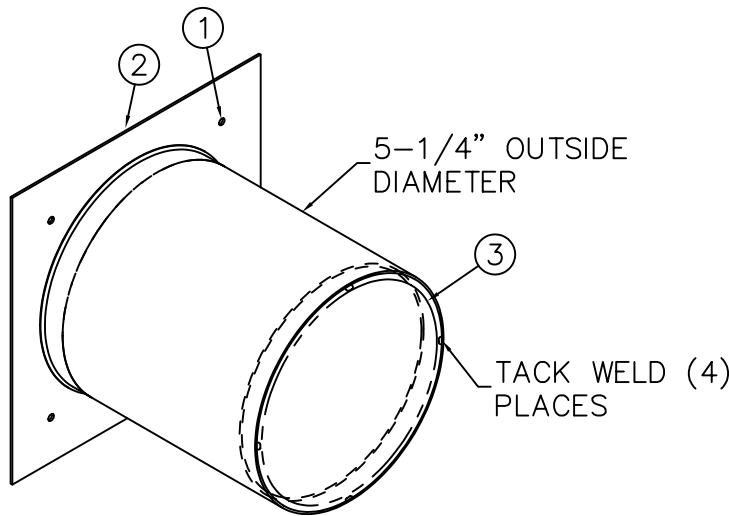
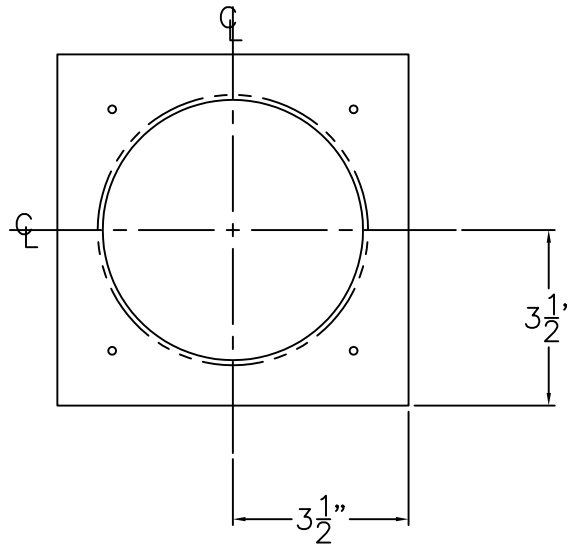
WALLS LESS THAN 5-1/4" THICK

- A-HAND TIGHTEN (2) MOUNTING STUDS (1) INTO NUTS (2) ON BACK OF RECESSED PAPER HOLDER (3). PLACE THE RECESSED PAPER HOLDER (3) IN WALL OPENING.
- B-FROM CHASE SIDE, PLACE BACK PLATE (4) OVER STUDS (1). SCREW NUTS (5) ONTO STUDS (1). THREAD 1/2" STUDS (6) THRU PLATE (4) & TIGHTEN AGAINST WALL TO SECURE UNIT (3).



ACORN ENGINEERING COMPANY  
P.O. BOX 3527 INDUSTRY, CA. 91744  
(626) 336-4561 FAX (626) 961-2200

TITLE <b>RECESSED PAPER HOLDER, REAR MOUNTED, CAT #1840</b>		
MANUFACTURE DATE <b>DECEMBER 1971 TO PRESENT</b>	DATE ISSUED <b>05/11/00</b>	DRAWING NUMBER <b>9925-138-001</b>
	DATE REVISED <b>05/11/11</b>	



**INSTALLATION INSTRUCTIONS:**

SLEEVES ARE INSTALLED IN FORMS USING NAIL HOLES ① PROVIDED OR GROUTED INTO BLOCK WALLS BECOMING A PERMANENT PART OF THE WALL.

A- INSTALL SLEEVE WITH FLANGE ② ON CHASE SIDE OF WALL

B- REMOVE PLUG KNOCKOUT ③ PRIOR TO INSTALLING PAPER HOLDER.

**NOTE:** FOR POURED WALL CONSTRUCTION, TEMPORARY BRACING SHOULD BE INSTALLED WITHIN SLEEVE OPENING TO PREVENT DEFORMATION TO SLEEVE WHICH MAY OCCUR DURING POUR. DO NOT POUR CONCRETE DIRECTLY ON TOP OF WALL SLEEVE.



ACORN ENGINEERING COMPANY  
P.O. BOX 3527 INDUSTRY, CA. 91744  
(626) 336-4561 FAX (626) 961-2200

TITLE <b>RECESSED PAPER HOLDER -SW WALL SLEEVE</b>		
MANUFACTURE DATE <b>DECEMBER 1971 TO PRESENT</b>	DATE ISSUED <b>03/01/90</b>	DRAWING NUMBER <b>9925-290-001</b>
	DATE REVISED <b>04/02/07</b>	