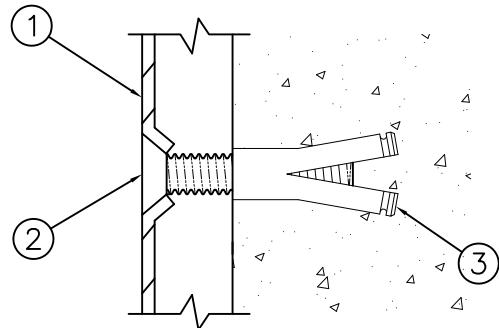
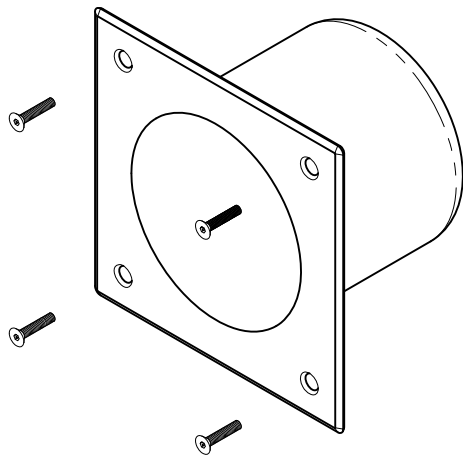
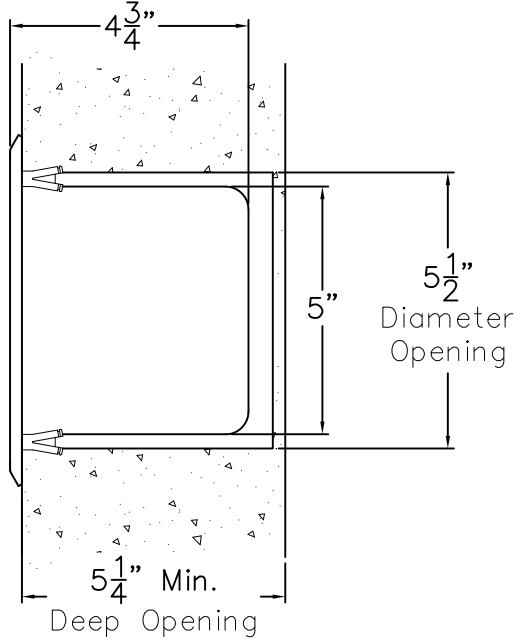
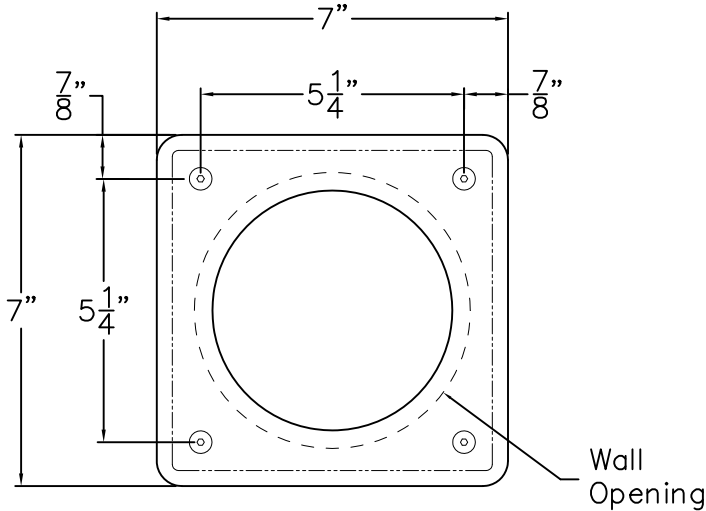




**REFERENCE DRAWING**

Fasteners	9951-005-001
-----------	--------------



**MOUNTING DETAIL**

**INSTALLATION INSTRUCTIONS:**

- A- Installation Requires A Rough Wall Opening Approximately 5-1/2" Diameter x 5" Deep To Accommodate Paper Holder.
- B- Using Paper Holder As A Template Locate Mounting Points.
- C- Drill Holes For Wall Anchors (By Others). Install Anchors. (Use Appropriate Anchors For Hardware Provided)
- D- Secure Paper Holder To Wall Using 1/4"-20 UNC Vandal Resistant Screws (Provided).

- ① Paper Holder Plate
- ② 1/4"-20 UNC x 1" Vandal Resistant Screws (Provided)
- ③ Appropriate Wall Anchors For Hardware Provided. (Anchors By Others).

<p>ACORN ENGINEERING COMPANY P.O. BOX 3527 Industry, CA 91744 15125 Proctor Ave Industry, CA 91746 (626) 336-4561 FAX (626) 961-2200</p>	<p>TITLE <b>FRONT MOUNTED ACCESSORIES, CAT. #1840-FA</b></p>		
	<p>MANUFACTURE DATE <b>DECEMBER 1971 TO PRESENT</b></p>	<p>DATE ISSUED <b>05/06/99</b></p> <p>DATE REVISED <b>06/25/12</b></p>	<p>DRAWING NUMBER <b>9925-137-001</b></p>