



Dura-Ware® 1900 Series Self-Rimming Classroom Sink



1900-1-CPF1-DMBCPC

Fixture May Show Some Available Options

Please visit www.acorneng.com for most current specifications.

Self-Rimming Classroom Sink

Dura-Ware self-rimming Lavatory is intended for Countertop installation. Fixture is fabricated of 14 gage, type 304 stainless steel with exterior exposed surfaces polished to a satin finish. The external bottom surface of Bowl is sound deadened with a fire-resistant material. Sink mounts to Countertop using Mounting Clamps provided.

Lavatory Bowl is rectangular and measures 14" x 12" x 6" deep. Bowl includes 1-1/2" diameter Drain punching to receive optional -GE or -GT Grid Strainer.

Optional Gooseneck Pantry Spouts are of brass construction with polished chrome finish. ADA compliant Lever Handle allows ease of operation with a 1/4-turn of the Handle. Lavatory optionally available with either single temperature or hot & cold.

Optional Deck Mounted Bubblers are available with flexible or chrome plated brass Mouth-guard and an ADA compliant Actuator. Both the Lever Handle and Pushbutton control meet the requirements of ADA Accessibility Guidelines, Section 4.27.4.

ADA Compliance is subject to options selected, installation and the interpretation and requirements of the local code authority. Refer to ADA Guidelines for complete installation requirements.

GUIDE SPECIFICATION

Provide and install Acorn Dura-Ware Self-Rimming Classroom Sink (specify model number and options). Fixture shall be fabricated from 14 gage, type 304 stainless steel with exposed exterior surfaces having a satin finish. Valve, Bubbler, and Spouts all conform with lead-free requirements for NSF61, Section 9 and CHSC 116875. Fixture shall be furnished with under-counter Mounting Clamps. Installation shall be made in accordance with manufacturers recommendations and details.

Dura-Ware® 1900: Classroom Sink



MODEL NUMBER AND OPTIONS SELECTION

BASE MODEL NUMBER

1900 Self-Rimming Classroom Sink

FIXTURE MOUNTING AND WASTE

-1 Off-Floor, Wall Outlet

VALVE SELECTION (Must Specify)

- 9 Without Valves; Specify Punching
- CPF1 Single Temperature Gooseneck Pantry Faucet with Lever Handle; Faucet Left Right
- CPF2 Hot & Cold Gooseneck Pantry Faucet with Lever Handles; Faucet Left Right

DRINKING BUBBLER

- DMBCLC Deck Mounted Bubbler with Lever Handle & Chrome Plated Mouthguard (Opposite Faucet)
- DMBCLF Deck Mounted Bubbler with Lever Handle & Flexible Mouthguard (Opposite Faucet)
- DMBCPC Deck Mounted Bubbler with Pushbutton & Chrome Plated Mouthguard (Opposite Faucet)
- DMBCPF Deck Mounted Bubbler with Pushbutton & Flexible Mouthguard (Opposite Faucet)

COUNTERTOP CLAMPING CLIPS (Must Specify)

- CTR1 For Counters 1/2" Min. to 15/16" Max.
- CTR2 For Counters 1" Min. to 1-7/16" Max.
- CTR3 For Counters 1-1/2" Min. to 2-1/2" Max.

DECK PUNCHING (Must Specify with -9)

Faucet (1-5/16" Diameter Hole Punching)

- H1 Single Hole (Faucet Punching)
 - LM Left Middle LR Left Rear
 - RM Right Middle RR Right Rear
- H24 Two Hole, for 4" Centerset
 - LH Left Hand RH Right Hand
- H28 Two Hole, for 8" Centerset
 - LH Left Hand RH Right Hand
- H34 Three Hole, for 4" Centerset
 - LH Left Hand Right Hand
- H38 Three Hole, for 8" Centerset
 - LH Left Hand Right Hand

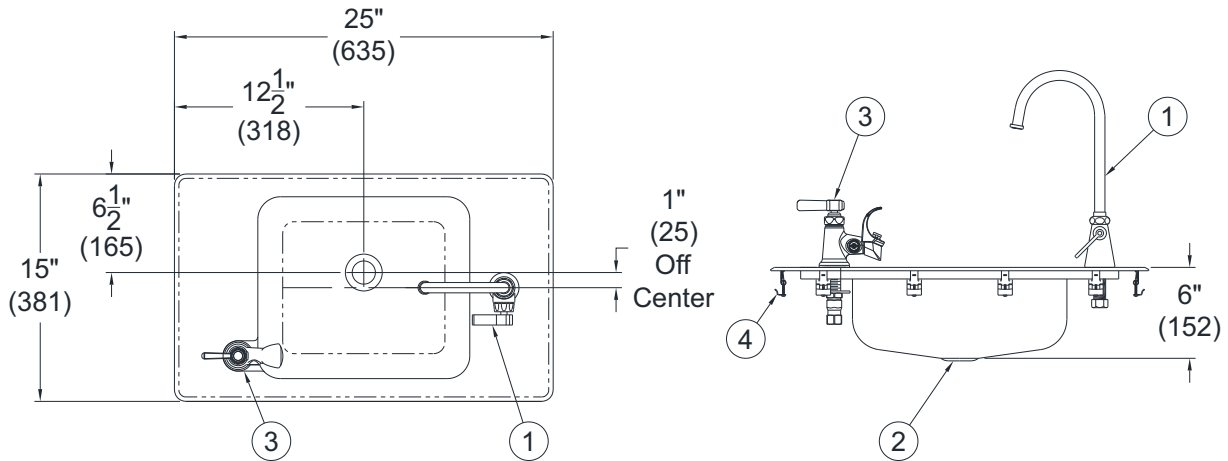
Bubbler (1-1/8" Diameter Hole Punching)

- H1-LB Single Hole, Less Bubbler
 - Left Front Right Front

PRODUCT OPTIONS

- GE Grid Strainer w/Close Elbow 1-1/4"
- GT Grid Strainer w/Tailpiece 1-1/4"

Please visit www.acorneng.com for most current specifications.



Model #1900-1-CPF1-DMBCLF

Notes:

1. Optional Right Side -CPF1 Single Temperature Pantry Faucet w/ Lever Handle
2. 1-1/2" Drain Punching for Waste Outlet
3. Optional -DMBCLF Deck Mounted Lever Handle Code Bubbler With Flexible Mouth Guard
4. Mounting Clamps

WARNING: Cancer and Reproductive Harm - www.P65Warnings.ca.gov

Important: Installation instructions and current rough-in are furnished with each fixture. Do not rough in without certified dimensions. Dimensions are subject to manufacturer's tolerance of plus or minus 1/4" and change without notice. Acorn assumes no responsibility for use of void or superseded data. © Copyright 2009 Acorn Engineering Company	
<p style="text-align: center;">Selection Summary</p> <p>Model No. & Option _____</p> <p>Quantity _____</p>	<p style="text-align: center;">Approved for Manufacturing</p> <p>Company _____ Title _____</p> <p>Signature _____ Date _____</p>