



## Dura-Ware® 1901 Series Self-Rimming Classroom Sink



1901-1-CPF1-DMBCPC

Fixture May Show Some Available Options

Please visit [www.acorneng.com](http://www.acorneng.com) for most current specifications.

### Self-Rimming Classroom Sink

**Dura-Ware** self-rimming Lavatory is intended for Countertop installation. Fixture is fabricated of 14 gage, type 304 stainless steel with exterior exposed surfaces polished to a satin finish. The external bottom surface of Bowl is sound deadened with a fire-resistant material. Sink mounts to Countertop using Mounting Clamps provided.

**Lavatory Bowl** is rectangular and measures 14" x 16" x 6" deep. Bowl includes 1-1/2" diameter Drain punching to receive optional -GE or -GT Grid Strainer.

**Optional Gooseneck Pantry Spouts** are of brass construction with polished chrome finish. ADA compliant Lever Handle allows ease of operation with a 1/4-turn of the Handle. Lavatory optionally available with either single temperature or hot & cold.

**Optional Deck Mounted Bubblers** are available with flexible or chrome plated brass Mouth-guard and an ADA compliant Actuator. Both the Lever Handle and Pushbutton control meet the requirements of ADA Accessibility Guidelines, Section 4.27.4.

**ADA Compliance** is subject to options selected, installation and the interpretation and requirements of the local code authority. Refer to ADA Guidelines for complete installation requirements.

#### GUIDE SPECIFICATION

Provide and install Acorn Dura-Ware Self-Rimming Classroom Sink (specify model number and options). Fixture shall be fabricated from 14 gage, type 304 stainless steel with exposed exterior surfaces having a satin finish. Valve, Bubbler, and Spout all conform with lead-free requirements for NSF61, Section 9 and CHSC 116875. Fixture shall be furnished with under-counter Mounting Clamps. Installation shall be made in accordance with manufacturers recommendations and details.

# Dura-Ware® 1901: Classroom Sink



## MODEL NUMBER AND OPTIONS SELECTION

### BASE MODEL NUMBER

1901 Self-Rimming Sink

### FIXTURE MOUNTING AND WASTE

-1 Off-Floor, Wall Outlet

### VALVE SELECTION (Must Specify)

- 9 Without Valves; Specify Punching
- CPF1 Single Temperature Gooseneck Pantry Faucet with Lever Handle; Faucet  Left  Right
- CPF2 Hot & Cold Gooseneck Pantry Faucet with Lever Handles; Faucet  Left  Right

### DRINKING BUBBLER

- DMBCLC Deck Mounted Bubbler with Lever Handle & Chrome Plated Mouthguard (Opposite Faucet)
- DMBCLF Deck Mounted Bubbler with Lever Handle & Flexible Mouthguard (Opposite Faucet)
- DMBCPC Deck Mounted Bubbler with Pushbutton & Chrome Plated Mouthguard (Opposite Faucet)
- DMBCPF Deck Mounted Bubbler with Pushbutton & Flexible Mouthguard (Opposite Faucet)

### COUNTERTOP CLAMPING CLIPS (Must Specify)

- CTR1 For Counters 1/2" Min. to 15/16" Max.
- CTR2 For Counters 1" Min. to 1-7/16" Max.
- CTR3 For Counters 1-1/2" Min. to 2-1/2" Max.

### DECK PUNCHING (Must Specify with -9)

#### Faucet (1-5/16" Diameter Hole Punching)

- H1 Single Hole (Faucet Punching)
  - LM Left Middle  LR Left Rear
  - RM Right Middle  RR Right Rear
- H24 Two Hole, for 4" Centerset
  - LH Left Hand  RH Right Hand
- H28 Two Hole, for 8" Centerset
  - LH Left Hand  RH Right Hand
- H34 Three Hole, for 4" Centerset
  - LH Left Hand  Right Hand
- H38 Three Hole, for 8" Centerset
  - LH Left Hand  Right Hand

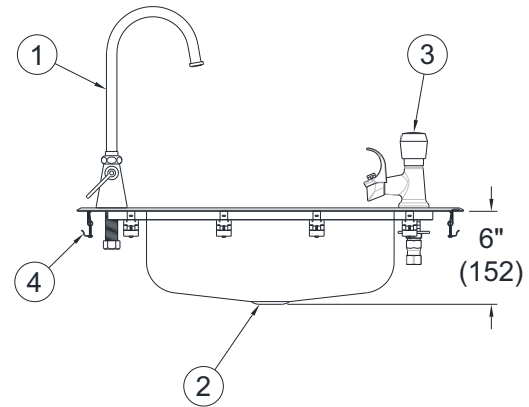
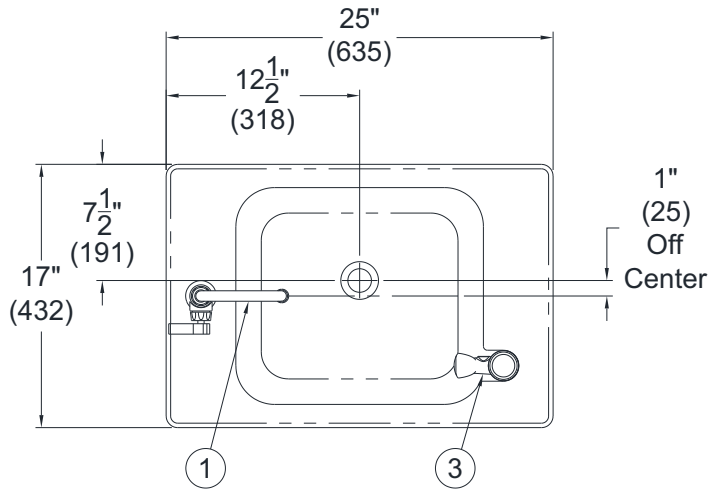
#### Bubbler (1-1/8" Diameter Hole Punching)

- H1-LB Single Hole, Less Bubbler
  - Left Front  Right Front

### PRODUCT OPTIONS

- GE Grid Strainer w/Close Elbow 1-1/4"
- GT Grid Strainer w/Tailpiece 1-1/4"

Please visit [www.acorneng.com](http://www.acorneng.com) for most current specifications.



Model #1901-1-CPF1-DMBCPF

### Notes:

1. Optional Left Side -CPF1 Single Temperature Pantry Faucet w/ Lever Handle
2. 1-1/2" Drain Punching for Waste Outlet
3. Optional -DMBCPF Deck Mounted Lever Handle Code Bubbler With Flexible Mouth Guard
4. Mounting Clamps

**WARNING:** Cancer and Reproductive Harm - [www.P65Warnings.ca.gov](http://www.P65Warnings.ca.gov)

<p><b>Important:</b> Installation instructions and current rough-in are furnished with each fixture. Do not rough in without certified dimensions. Dimensions are subject to manufacturer's tolerance of plus or minus 1/4" and change without notice. Acorn assumes no responsibility for use of void or superseded data. © Copyright 2009 Acorn Engineering Company</p>	
<p style="text-align: center;">Selection Summary</p> <p>Model No. &amp; Option _____</p> <p>Quantity _____</p>	<p style="text-align: center;">Approved for Manufacturing</p> <p>Company _____ Title _____</p> <p>Signature _____ Date _____</p>