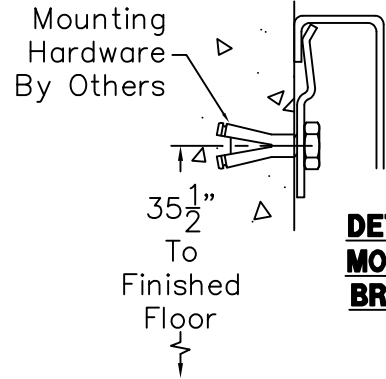
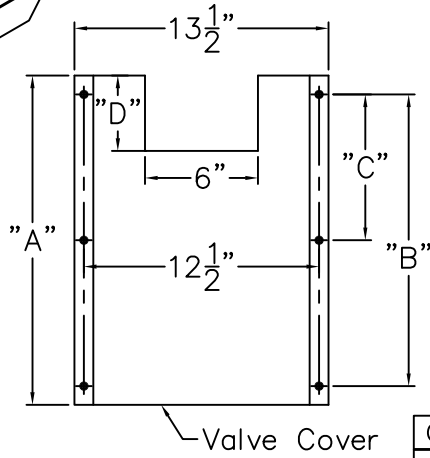
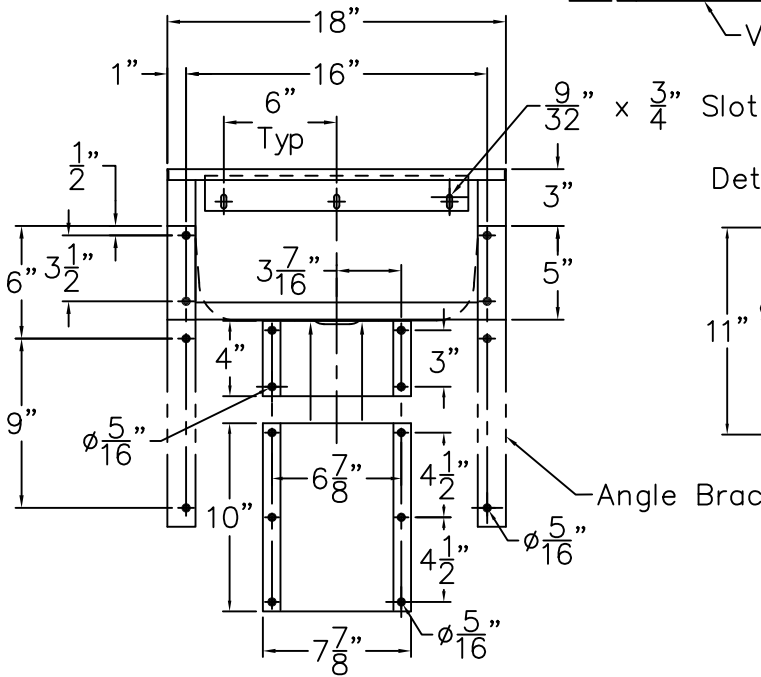


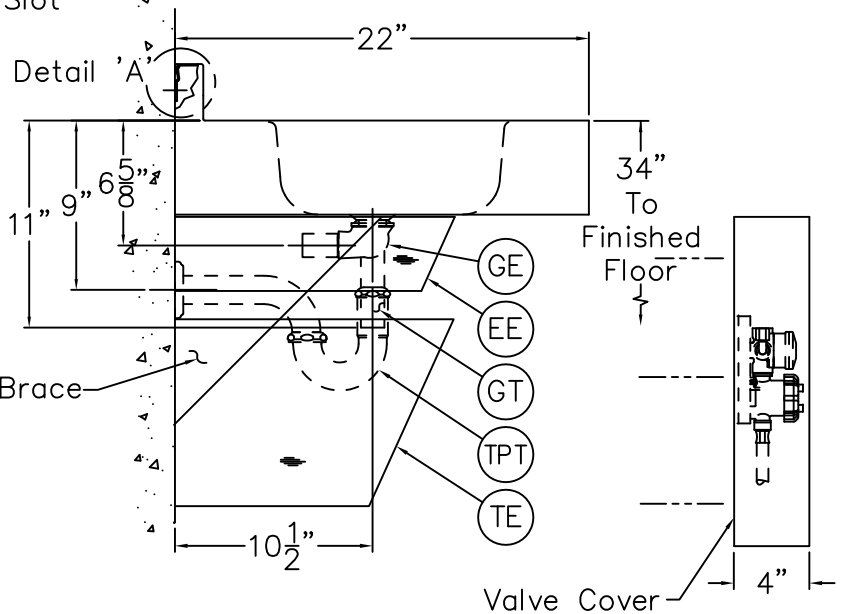
REFERENCE DRAWINGS	
Hot & Cold Valve	9908-105-002
Single Temp Valve	9908-106-002



**DETAIL 'A'  
MOUNTING  
BRACKET**



OPTION	DIM "A"	DIM "B"	DIM "C"	DIM "D"
-EE	17-1/2"	15-1/2"	7-3/4"	4"
-TE	23-1/2"	21-1/2"	10-3/4"	10"



**INSTALLATION INSTRUCTIONS**

- A- SEE TABLE FOR CURRENT VALVE INSTALLATION SHEET.
- B- INSTALL MOUNTING BRACKET. SEE DETAIL "A".
- C- INSTALL WALL ANCHORS AND ATTACH FIXTURE. WALL ANCHORS AND ANCHORING HARDWARE BY OTHERS.
- D- MAKE WASTE CONNECTIONS. DIMENSIONS VARY DEPENDING ON OPTIONAL WASTE CONNECTION SELECTED:
  - GE GRID STRAINER WITH CLOSE ELBOW- 1-1/4" OD COMPRESSION CONNECTION
  - GT GRID STRAINER WITH TAILPIECE- 1-1/4" OD COMPRESSION CONNECTION
  - TPT TUBING P-TRAP 1-1/4" x 1-1/2" OD

**NOTE: REFER TO A.D.A. ACCESSIBILITY GUIDELINES FOR COMPLETE INSTALLATION REQUIREMENTS**

- E- OPTIONAL ENCLOSURES:
  - EE ELBOW ENCLOSURE FOR USE WITH -GE GRID STRAINER W/ CLOSE ELBOW
  - TE TRAP ENCLOSURE FOR USE WITH -TPT P-TRAP OR -GT GRID STRAINER W/ TAILPIECE
- F- ROUGH-IN PLUMBING AND FLUSH SUPPLY LINES.
- G- MOUNT OPTIONAL TRAP/ELBOW ENCLOSURE AND VALVE COVER AFTER INSTALLING PLUMBING. HARDWARE BY OTHERS.

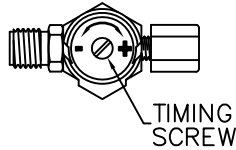


ACORN ENGINEERING COMPANY  
P.O. BOX 3527 Industry, CA 91744  
15125 Proctor Ave Industry, CA 91746  
(626) 336-4561 FAX (626) 961-2200

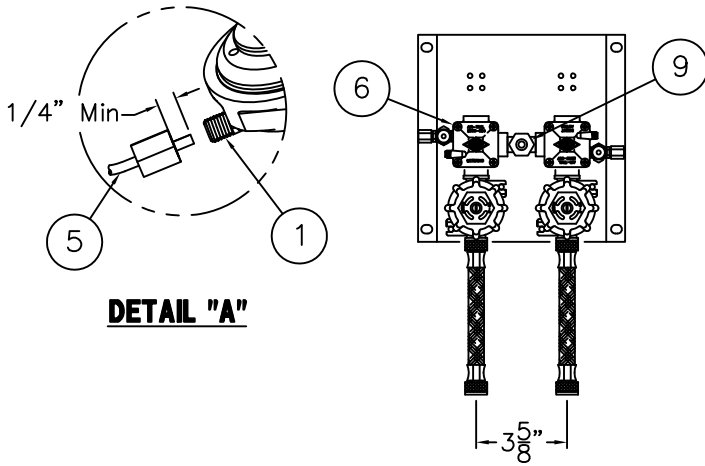
TITLE <b>ADA COMPLIANT WALL HUNG LAVATORY - CAT. #1953-ADA</b>		
MANUFACTURE DATE <b>JANUARY 1980 TO PRESENT</b>	DATE ISSUED <b>09-29-92</b>	DRAWING NUMBER <b>9908-006-001</b>
	DATE REVISED <b>05/27/15</b>	



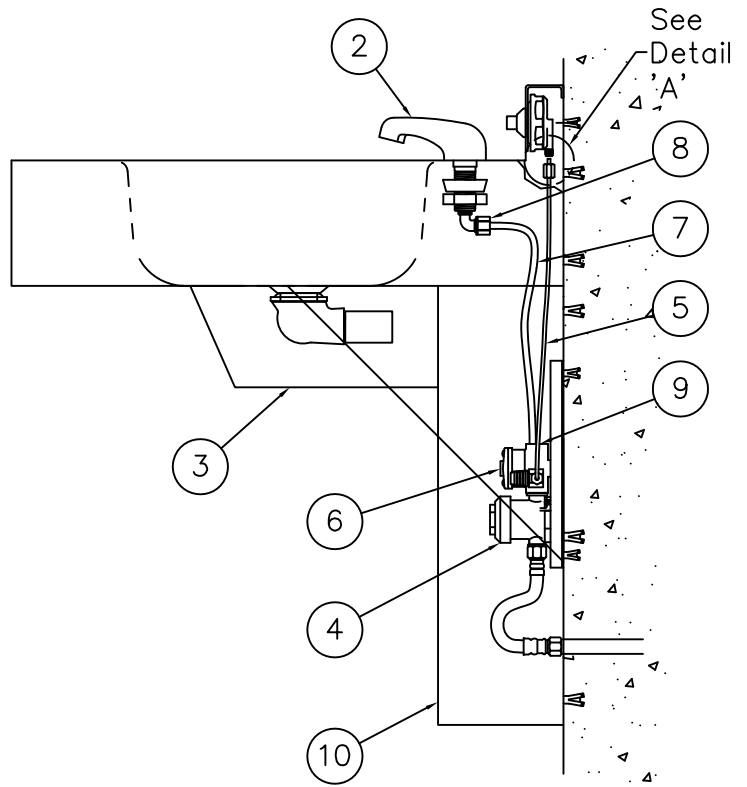
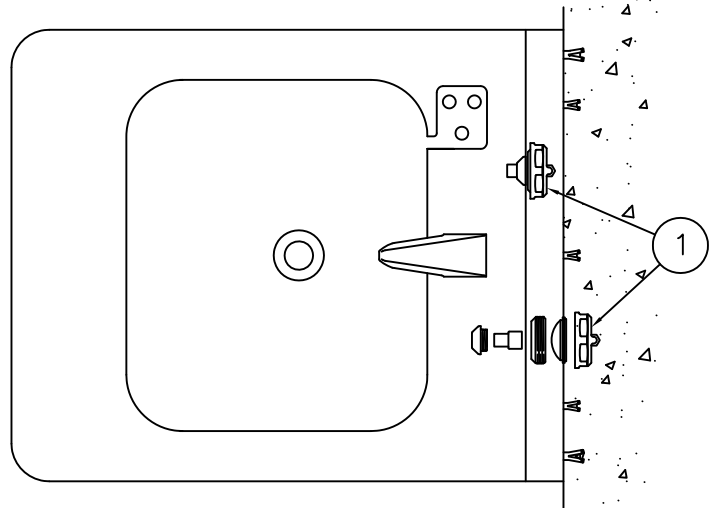
REFERENCE DRAWINGS	
ASSEMBLIES	NUMBERS
VALVE BODY	9955-005-003
STOP	9956-040-003
FIXTURE TRIM	9957-055-001
AIR-CONTROL SERVOMOTORS	
METERING	9955-000-003
NON-METERING	9955-001-003



TIMING IS ADJUSTABLE FROM 5 TO 60 SECONDS AND IS ACCOMPLISHED BY ROTATING TIMING SCREW. TURNING THE SCREW CLOCKWISE INCREASES WHILE COUNTERCLOCKWISE DECREASES TIMING.



**DETAIL "A"**



**INSTALLATION INSTRUCTIONS:**

- A- PRIOR TO INSTALLATION OF THE FIXTURE, MOUNT PUSHBUTTON (1) TO BACK SPLASH AND SPOUT (2) TO DECK.
- B- INSTALL THE FIXTURE TO THE WALL PER DRAWING #9908-006-001.
- C- INSTALL OPTIONAL TRAP/ELBOW ENCLOSURE (3) TO WALL. MOUNT AIR-CONTROL VALVE ASSEMBLY (4) TO WALL BELOW ENCLOSURE. MOUNTING HARDWARE BY OTHERS.
- D- CONNECT 1/8" O.D. POLYETHYLENE AIR LINES (5) TO PUSHBUTTON ASSEMBLIES (1) AND SERVOMOTORS (6). HAND TIGHTEN. USE FERRULE NUTS PROVIDED. SEE DETAIL 'A'.
- E- CONNECT 1/4" OD POLYETHYLENE WATER LINE (7) TO SPOUT COMPRESSION NUT (8) AND SERVOMOTOR COMPRESSION FITTING (9) USING FERRULE NUTS PROVIDED.
- F- AFTER THOROUGHLY FLUSHING THE SUPPLY LINES, MAKE-UP SUPPLY CONNECTIONS (1/2" NPT).
- G- SEE APPROPRIATE SERVOMOTOR REFERENCE DRAWING FOR DETAILS AND TIMING INSTRUCTIONS.
- H- INSTALL VALVE COVER (10) (SUPPLIED) TO WALL WITH NOTCH AROUND OPTIONAL TRAP/ELBOW ENCLOSURE (3). WALL FASTENERS BY OTHERS.

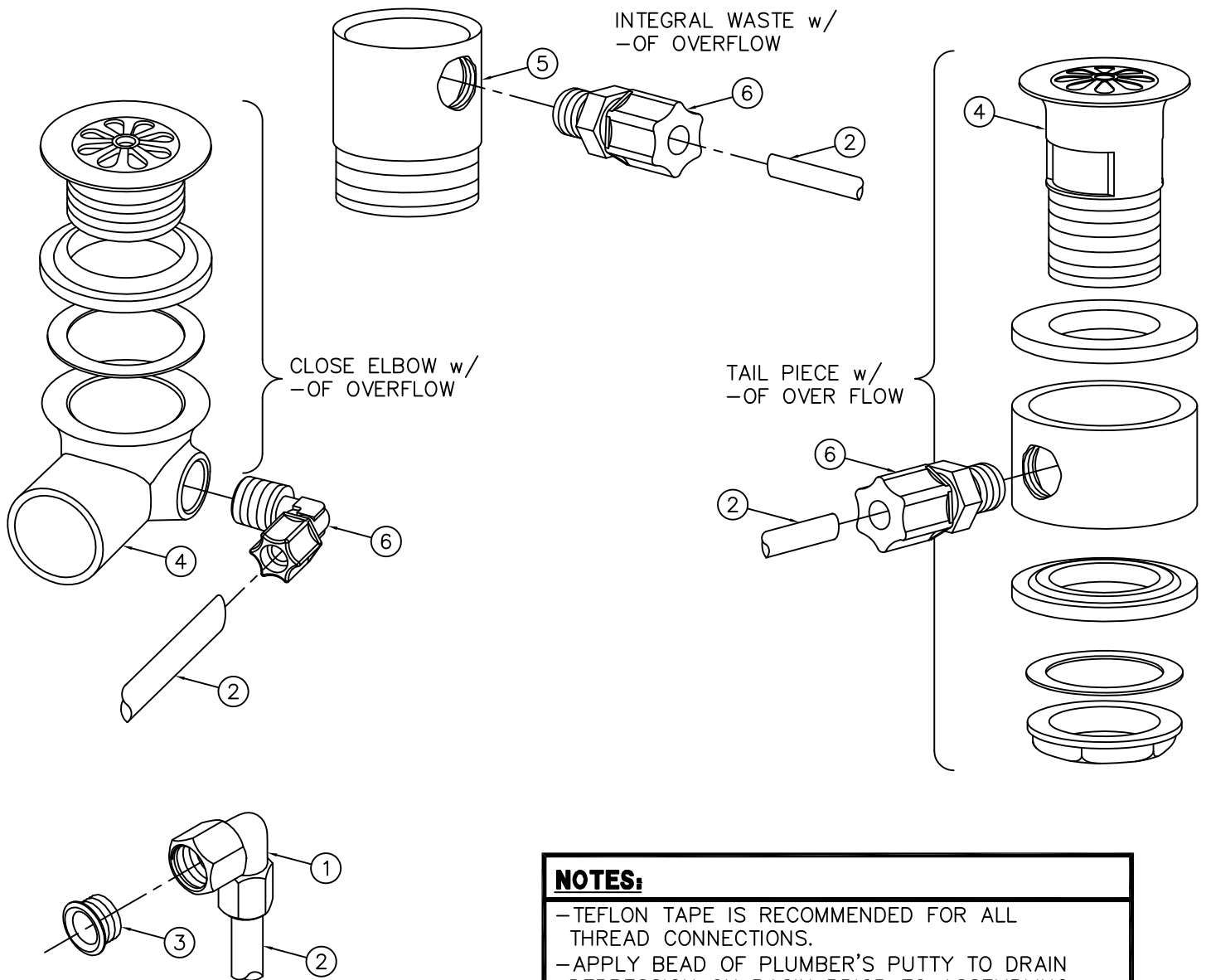
**NOTE:** WATER FLOW PRESSURE 25/100 PSI MIN/MAX. RECOMMENDED OUTLET TEMPERATURE 105' MAX. FLUSH ALL SUPPLY LINES THOROUGHLY BEFORE CONNECTING. DRAIN VALVE PRIOR TO FREEZING TEMPERATURES.



ACORN ENGINEERING COMPANY  
 P.O. BOX 3527 Industry, CA 91744  
 15125 Proctor Ave Industry, CA 91746  
 (626) 336-4561 FAX (626) 961-2200

TITLE **FRONT MOUNTED HOT & COLD AIR-CONTROL VALVE CAT. #1953-ADA-04**

MANUFACTURE DATE	DATE ISSUED	DRAWING NUMBER
<b>APRIL 1994</b>	<b>05/18/94</b>	
<b>TO PRESENT</b>	DATE REVISED	<b>9908-105-002</b>
	<b>05/27/15</b>	



**INSTALLATION INSTRUCTIONS:**

A- ASSEMBLE 3/8" NPT x 3/8" OD ELBOW (1) TO 3/8" PE TUBE PROVIDED (2). THREAD OVERFLOW INSERT (3) THROUGH OVERFLOW OPENING(S) IN BASIN AND HAND TIGHTEN THE INSERT (3) TO THE ELBOW ASSEMBLY.

B- ASSEMBLE APPLICABLE WASTE CONNECTION (4) TO DRAIN OPENING AS SHOWN. NOTE: INTEGRAL DRAIN (5) REQUIRES NO ASSEMBLY.

C- FIT 3/8" OD PE TUBING (2) FROM OVERFLOW CONNECTION (1) TO OVERFLOW CONNECTION ON WASTE ASSEMBLY. NOTE: INSTALLER MAY CUT PE TUBING TO LENGTH. TIGHTEN 3/8" NPT x 3/8" OD TUBE CONNECTION PROVIDED (6) TO 3/8" OD PE TUBE (2). TIGHTEN TO (4) OR (5) WASTE ASSEMBLY AS SHOWN.



ACORN ENGINEERING COMPANY  
P.O. BOX 3527 Industry, CA 91744  
15125 Proctor Ave Industry, CA 91746  
(626) 336-4561 FAX (626) 961-2200

TITLE **OPTIONAL -OF OVERFLOW WASTE ASSEMBLY**

MANUFACTURE DATE

**JULY 2008  
TO PRESENT**

DATE ISSUED

**07/21/08**

DATE REVISED

**01/06/14**

DRAWING NUMBER

**9927-008-001**