



Dura-Ware® 1953LC Series

20" Lavatory - ADA Compliant



1953LC-1-DMS-04-M

Fixture May Show Some Available Options

Please visit www.acorneng.com for most current specifications.

20" Lavatory - ADA Compliant

Fixture is arranged to be installed on a finished wall from the front side utilizing a concealed arm carrier by others. Fixture is fabricated of 16 gage, type 304 stainless steel and is seamless welded construction. Exterior has a #4 satin finish. Unit conforms with ANSI, UFAS, and ADA requirements for accessibility. Compliance is subject to the interpretation and requirements of the local code authority. Units may be punched for Faucet provided by others (Must specify punching required).

Vandal Resistance Details: Units are intended for commercial applications and provide moderate vandal resistance due to open bottom. For Enclosed Bottom when subject to high vandalism, refer to Model 1652FALRB.

Lavatory Rectangular Bowl is 14" x 12" x 5" deep. The deck has an integral, self-draining soap dish. The lavatory includes 1-1/2" drain punching to receive optional -GE or -GT grid strainer.

Lavatory Valves (ADA compliant) available with valve and faucet/spouts that conform with lead free requirements for NSF61, Section 9 and CHSC 116875.

1. Air control pushbutton valves using atmospheric air; metering non-hold open type. Timing is from 5 to 60 seconds. Air control valves can be remotely located up to 10 feet from the operating pushbutton. Air-Control valve options require an accessible pipe chase for installation and service.
2. Electronic valve system using Modular Valve Controller for water metering through precise electronic control of a solenoid valve. Valve timing is from 1 second to 9 minutes. Modular Valve Controller can be remotely located up to 100 feet from the operating pushbutton.
3. Centerset with gooseneck spout and wrist blade handles, suffix -CSG.

GUIDE SPECIFICATION

Provide and install an Acorn Dura-Ware, 20" wide ADA Compliant Lavatory (specify model number and options). Fixture shall be fabricated from heavy gage, type 304 stainless steel. Construction shall be seamless welded with a #4 satin finish exterior. Lavatory deck shall have an integral air-circulating, self-draining soap dish. Installer shall provide all wall mounting hardware to include concealed arm carrier. Installation shall be made in accordance with manufacturer's recommendation and details. Units to conform with ANSI, UFAS and ADA requirements for accessibility.



Dura-Ware® 1953LC : 20" Lavatory - ADA Compliant

WALL THICKNESS AND TYPE (Must Specify)

Thickness _____ Type: Concrete Block Steel

MODEL NUMBER AND OPTIONS SELECTION:

BASE MODEL NUMBER

1953LC 20" x 22" ADA Compliant Lavatory

FIXTURE MOUNTING AND WASTE (Must Specify)

-1 Off-Floor, Wall Outlet

CONTROL TYPE (One Selection Below Required)

-9 Less Valve/Faucet by Others
(Must Specify Deck Punching)

CENTERSET FAUCET

(Includes -H24 Deck Punching provided as standard)

-CSG Faucet, Gooseneck Spout, Wrist Blade Handle

VALVE SELECTION (Pushbutton & Deck Mounted Spout)

- 03-M Air-Control, Single Temp, Metering
- 04-M Air-Control, Hot & Cold, Metering
- MVC1 Time-Trol - Single Temp
- MVC2 Time-Trol - Hot & Cold
- PPZ1 Programmable Piezo Button - Single Temp
- PPZ2 Programmable Piezo Button - Hot & Cold

SPOUT (Required with Valve Selection Above)

-DMS Deck Mounted Spout

DECK PUNCHING - Required for -9 Valve Control

(1-5/16" diameter holes provided standard).

- H1 Single Hole; On Center
- H24 4" Centered; Two Holes
- H34 4" Centered; Three Holes
- H28 8" Centerset; Two Holes*
- H38 8" Centerset; Three Holes*

* Eliminates soap dish depression when selected.

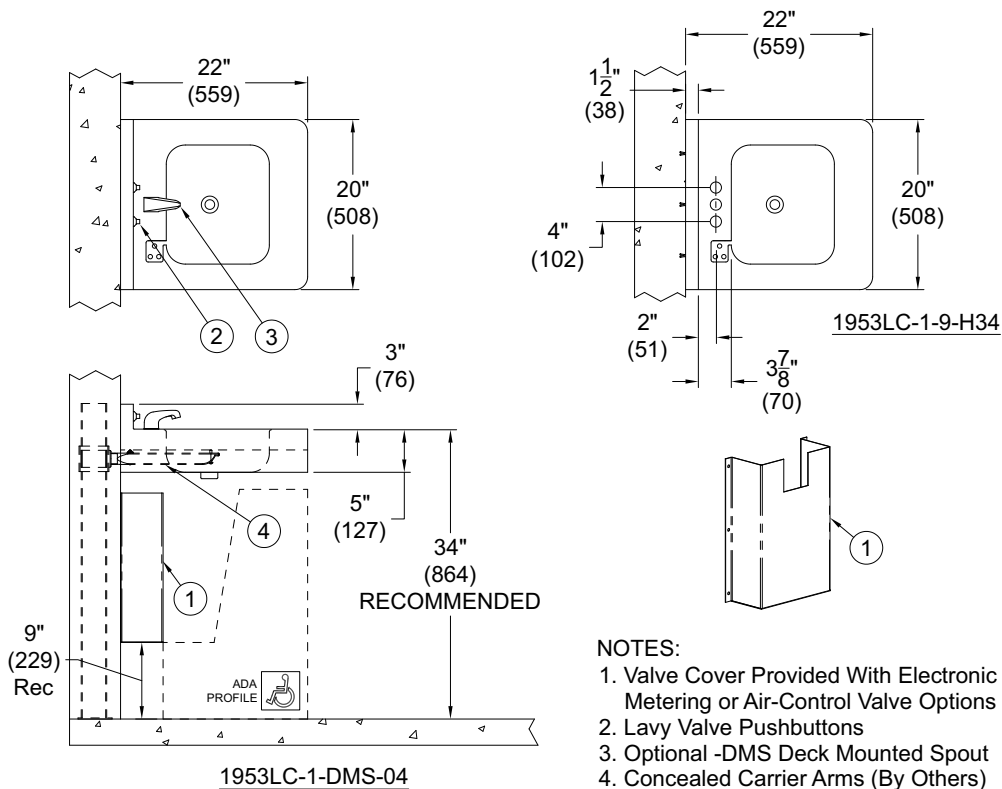
LAVATORY WASTE OPTIONS

- GE Grid Strainer w/Close Elbow 1-1/4"
- GT Grid Strainer w/Tailpiece 1-1/4"
- OF Lavatory Overflow
- TPT Tubular P-Trap 1-1/4" x 1-1/2"

PRODUCT OPTIONS

- BRS Brass Body Valve
- EE Elbow Enclosure
- EG Enviro-Glaze Color, Specify: _____
- FG 14 Gage Housing
- TE Trap Enclosure
- TF Transformer, 120VAC to 24VAC (-MVC Only)

Please visit www.acorneng.com for most current specifications.



NOTES:

1. Valve Cover Provided With Electronic Metering or Air-Control Valve Options Only
2. Lavy Valve Pushbuttons
3. Optional -DMS Deck Mounted Spout
4. Concealed Carrier Arms (By Others)

WARNING: Cancer and Reproductive Harm - www.P65Warnings.ca.gov

<p>Important: Installation instructions and current rough-in are furnished with each fixture. Do not rough in without certified dimensions. Dimensions are subject to manufacturer's tolerance of plus or minus 1/4" and change without notice. Acorn assumes no responsibility for use of void or superseded data. © Copyright 2009 Acorn Engineering Company</p>	
<p style="text-align: center;">Selection Summary</p> <p>Model No. & Option _____</p> <p>Quantity _____</p>	<p style="text-align: center;">Approved for Manufacturing</p> <p>Company _____ Title _____</p> <p>Signature _____ Date _____</p>