



Dura-Ware® 1955 Series

Econo Trapezoidal Lavatory



1955-1-CSG-GT-TPT

Fixture May Show Some Available Options

Please visit www.acorneng.com for most current specifications

Econo Trapezoidal Lavatory

Fixture is arranged to be installed on finished wall from the front side. Fixture is fabricated from 18 gage, type 304 stainless steel and is one piece die formed. Exterior has a satin finish.

Lavatory Trapezoidal Bowl is 16" x 12" x 5" deep. Lavatory deck has an integral non-drip raised edge. Lavatory includes 1-1/2" diameter drain punching to receive optional -GE or -GT grid strainer. Lavatory side angle braces are furnished loose.

Available Lavatory Valves: Valve and faucet/spout conform with lead-free requirements for NSF 61, Section 9 and CHSC 116875.

* Centerset with gooseneck spout with wrist blade handles, option -CSG.

* Centerset with spout, option -CSS.

Regularly furnished are lavatory side mounting angle braces. Mounting screws and anchor shields are furnished by others.

GUIDE SPECIFICATION

Provide and install Acorn Dura-Ware Econo Trapezoidal Lavatory (specify model number and options). Fixture shall be fabricated from 18 gage, type 304 stainless steel. Construction shall be one piece die formed. Exterior shall have a satin finish. Lavatory deck shall have an integral non-drip raised edge. Installation shall be made in accordance with manufacturers recommendations and details. Manufacturer shall furnish side mounting angle braces. Installer shall supply mounting screws and anchor shields to the wall.



Dura-Ware®: 1955 Econo Trapezoidal Lavatory

MODEL NUMBER AND OPTIONS:

BASE MODEL NUMBER

1955 Econo Trapezoidal Lavatory

FIXTURE MOUNTING AND WASTE (Must Specify)

-1 Off-Floor, Wall Outlet

VALVE SELECTION (Must Specify)

- 9 Without Valves (Must Specify Deck Punching)
- CSG Centerset with Gooseneck Spout with Wrist Blade Handles
- CSS Centerset with Spout

OPTIONAL DECK PUNCHING

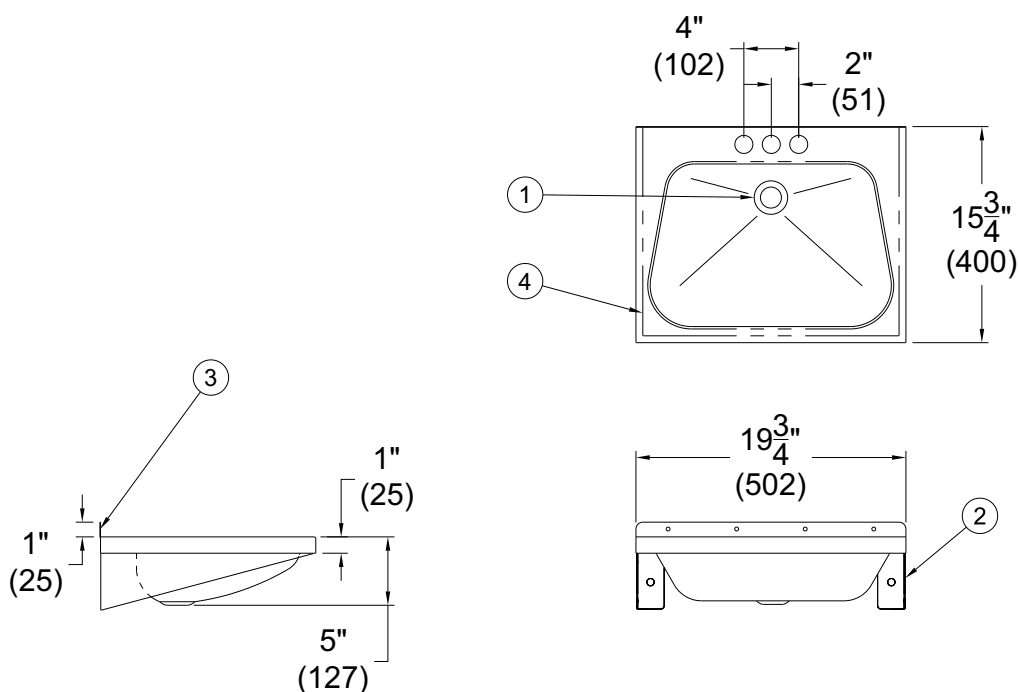
Must specify when indicating -9 Without Valve option; Standard -H34 4" Centerset; Three Holes 1-5/16 Dia.

- H1 Single Hole; On Center
- H24 4" Centerset; Two Holes
- H34 4" Centerset; Three Holes
- H28 8" Centerset; Two Holes
- H38 8" Centerset; Three Holes

PRODUCT OPTIONS

- EG Enviro-Glaze Color, Specify: _____
- GE Grid Strainer w/Close Elbow 1-1/4"
- GT Grid Strainer w/Tailpiece 1-1/4"
- TPT Tubular P-Trap 1-1/4" x 1-1/2"

Please visit www.acorneng.com for most current specifications



1955-1-9

NOTES:

1. 1-1/2" Dia. Drain Hole
2. Angle Braces Furnished Loose
3. Mounting Flange
4. Non-Drip Raised Edge

WARNING: Cancer and Reproductive Harm - www.P65Warnings.ca.gov

Important: Installation instructions and current rough-in are furnished with each fixture. Do not rough in without certified dimensions. Dimensions are subject to manufacturer's tolerance of plus or minus 1/4" and change without notice. Acorn assumes no responsibility for use of void or superseded data. © Copyright 2009 Acorn Engineering Company	
<p style="text-align: center;">Selection Summary</p> <p>Model No. & Option _____</p> <p>Quantity _____</p>	<p style="text-align: center;">Approved for Manufacturing</p> <p>Company _____ Title _____</p> <p>Signature _____ Date _____</p>