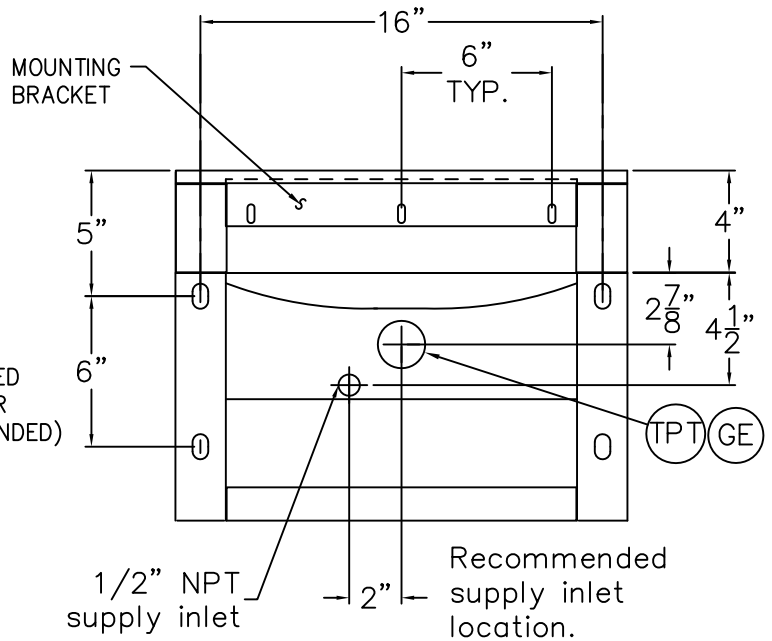
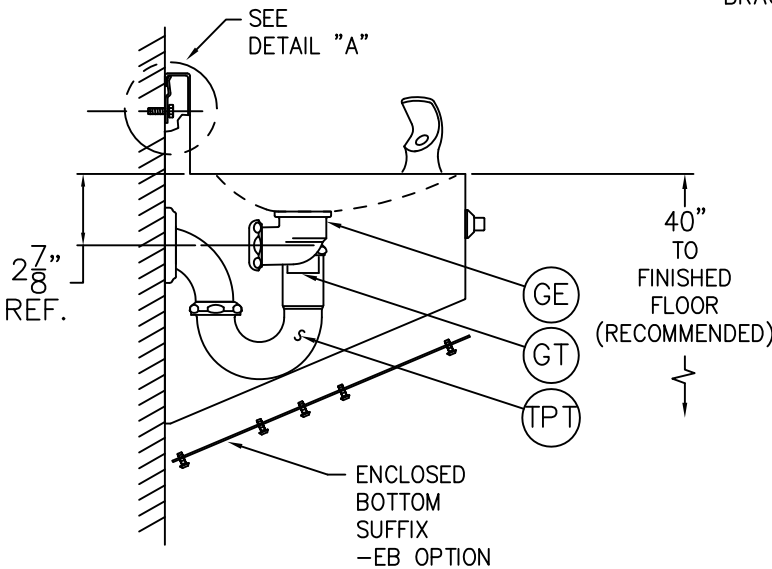
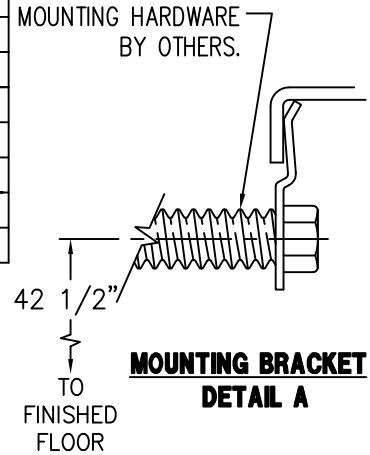


REFERENCE DRAWINGS	
INSTALLATION	
AIR-CONTROL VALVE	9905-001-003
PARTS	
VALVE BODY	9955-006-003
STOP	9956-040-003
SERVOMOTOR	9955-001-003
FIXTURE TRIM	9957-026-001



INSTALLATION INSTRUCTIONS

- A- INSTALL MOUNTING BRACKET. SEE DETAIL "A".
- B- INSTALL WALL ANCHORS (BY OTHERS) AND ATTACH FIXTURE.
- C- MAKE WASTE CONNECTIONS:

- (GE) -OPTIONAL GRID STRAINER WITH CLOSE ELBOW- 1 1/4" OD COMPRESSION CONNECTION.
- (GT) -OPTIONAL GRID STRAINER WITH TAILPIECE- 1 1/4" OD COMPRESSION CONNECTION.
- (TPT) -OPTIONAL TUBING P-TRAP 1 1/4" x 1 1/2" OD.

- D- SEE DWG #9905-001-003 FOR VALVE INSTALLATION. NOTE: AIR-CONTROL VALVE SHIPPED LOOSE.
- E- ROUGH-IN PLUMBING AND FLUSH SUPPLY LINES.

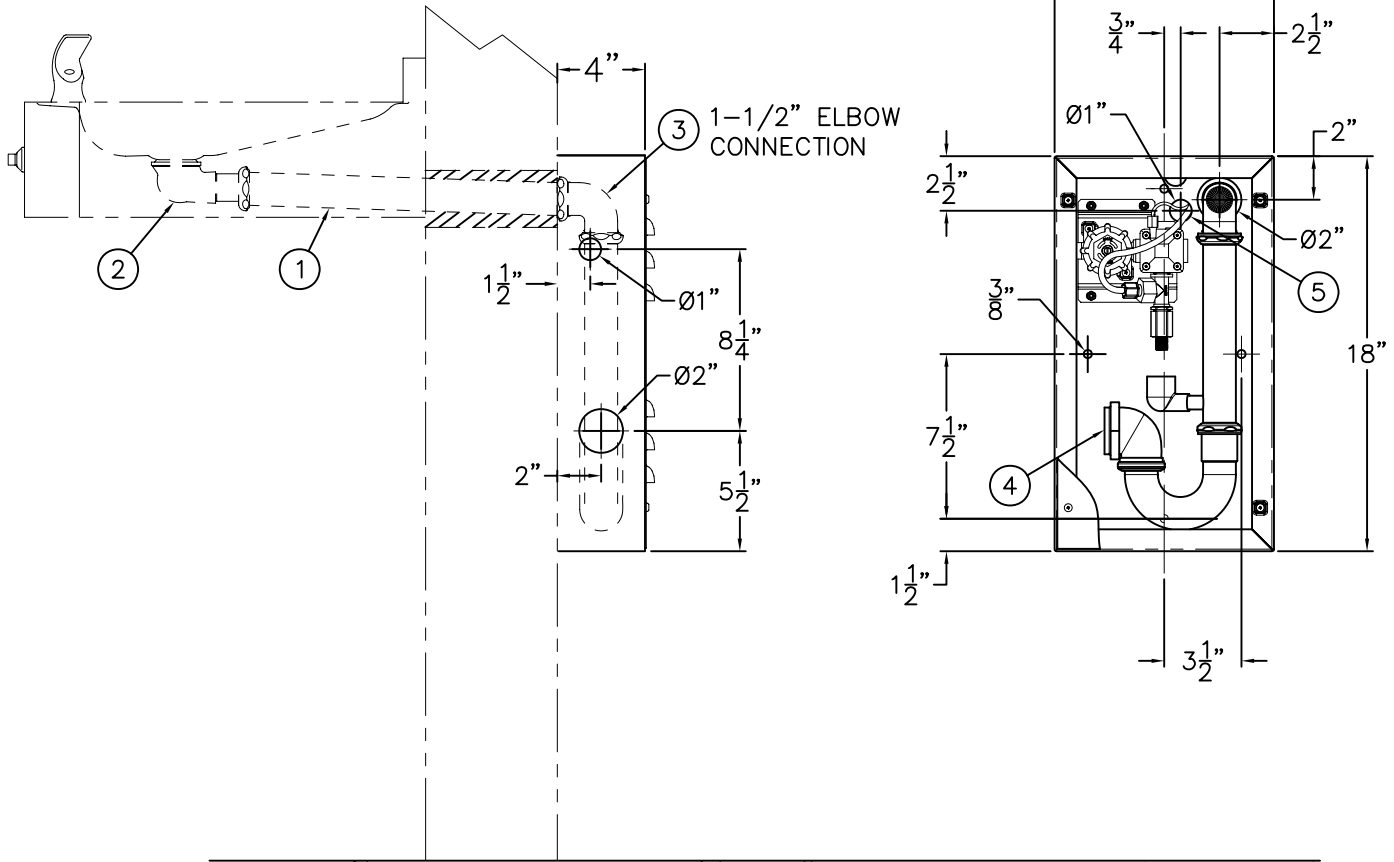


ACORN ENGINEERING COMPANY
P.O. BOX 3527 INDUSTRY, CA. 91744
(626) 336-4561 FAX (626) 961-2200

TITLE DRINKING FOUNTAIN W/ SUFFIX -EB OPTION CAT. #2010		
MANUFACTURE DATE JAN 1980 TO PRESENT	DATE ISSUED 06-01-90	DRAWING NUMBER 9908-020-001
	DATE REVISED 07/15/10	



REFER TO LOCAL CODES AND/OR INDUSTRY STANDARDS FOR CORRECT WASTE DRAIN SLOPE.



ALL WALL ANCHORS AND ANCHORING HARDWARE ARE PROVIDED BY THE INSTALLER.

INSTALLATION INSTRUCTIONS:

- A- INSTALL FIXTURE FOLLOWING APPROPRIATE INSTALLATION SHEETS AND PROVIDE THRU WALL OPENINGS FOR ELBOW WASTE EXTENSION (1) OUTLET AND AIR AND SUPPLY TUBING. NOTE: THRU WALL CONDUIT AND WALL INSULATION IS PROVIDED BY THE INSTALLER.
- B- ASSEMBLE WASTE EXTENSION TUBE (1) THRU WALL TO FIXTURE CLOSE ELBOW (2).
- C- ANCHOR VALVE AND WASTE BOX ON INTERIOR WALL BY ALIGNING FP ELBOW (3) WITH FIXTURE WASTE EXTENSION OUTLET (1).
- D- MAKE UP WASTE CONNECTIONS TO FP BOX 1-1/2" IPS P-TRAP WASTE OUTLET (4).
- E- CONNECT SUPPLY AND AIR TUBING FROM VALVE THRU BOX OPENING (5) TO FIXTURE BUBBLER AND PUSHBUTTON.
- F- FLUSH WATER SUPPLY LINE OF ALL DEBRIS PRIOR TO CONNECTING TO VALVE. CONNECT SUPPLY LINE TO VALVE 1/2" NPS HOSE END VALVE INLET CONNECTION.
- G- ATTACH COVER TO BOX TO COMPLETE FP INSTALLATION.

ACORN ENGINEERING COMPANY P.O. BOX 3527 INDUSTRY, CA. 91744 (626) 336-4561 FAX (626) 961-2200	TITLE 1-STATION FREEZE RESISTANT BOX		
	MANUFACTURE DATE SEPTEMBER 1991 TO PRESENT	DATE ISSUED 12/14/09	DRAWING NUMBER 9908-030-002
		DATE REVISED	