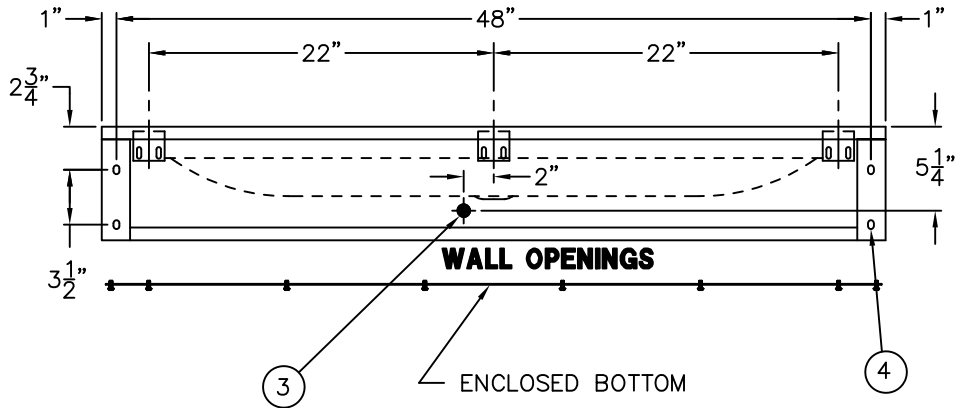
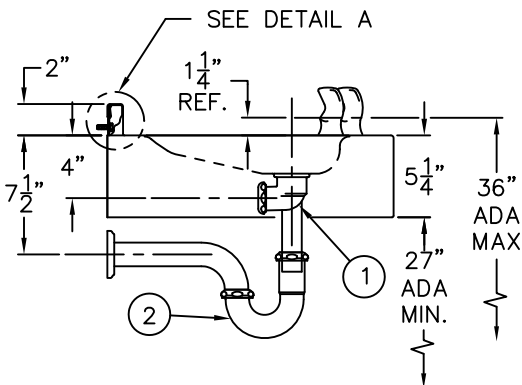
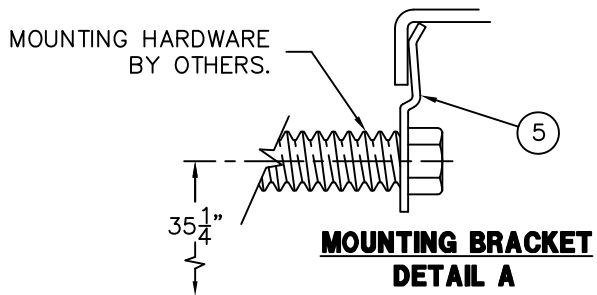
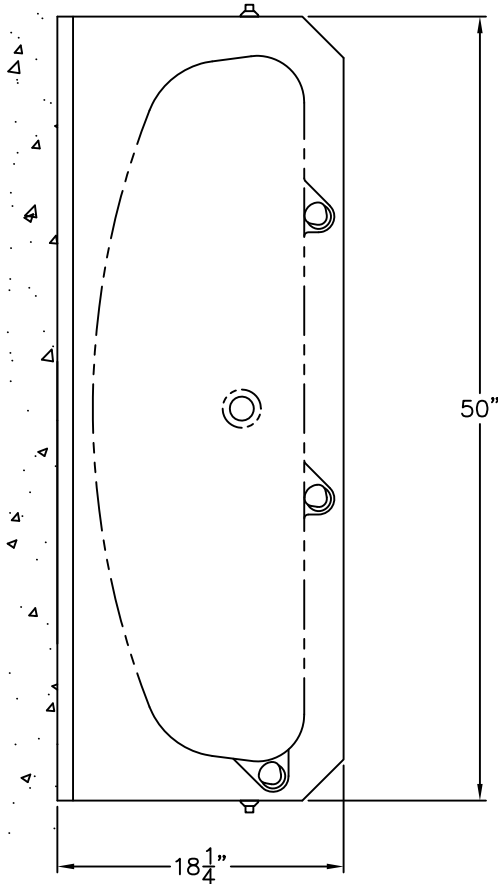




NOTE: REFER TO A.D.A. ACCESSIBILITY GUIDELINES FOR COMPLETE INSTALLATION REQUIREMENTS.

REFERENCE DRAWINGS	
INSTALLATION	
AIR-CONTROL VALVE	9905-001-003
PARTS	
VALVE BODY	9955-006-003
STOP	9956-040-003
SERVOMOTOR	9955-001-003
FIXTURE TRIM	9957-026-001



INSTALLATION INSTRUCTIONS

A-ROUGH-IN FOR THE FOLLOWING:

- 1/4" OD CLOSE ELBOW (1) WASTE OUTLET OR
- OPTIONAL 1-1/4" OD X 1-1/2" OD P-TRAP (2) WASTE OUTLET.
- SUPPLY CONNECTION FOR 1/2" NPS FLEX HOSE SINGLE TEMPERATURE VALVES CONNECTION (3).
- WALL ANCHORS (4) AT MOUNTING LOCATIONS AS SHOWN.

- B-ASSEMBLE WASTE CONNECTIONS TO FIXTURE DRAIN OPENING.
- C-POSITION HOUSING ABOVE S-CLIPS (5) AND SLIDE DOWN TO ENGAGE. SECURE REMAINING MOUNTING POINTS WITH INSTALLER PROVIDED HARDWARE.
- D-MAKE UP WASTE OUTLET CONNECTION TO WASTE OUTLET.
- E-FLUSH SUPPLY LINES BEFORE MAKING UP CONNECTIONS.

NOTE: 36" ADA DISCHARGE HEIGHT IS RECOMMENDED. REFER TO ADA GUIDELINES FOR COMPLETE INSTALLATION REQUIREMENTS.

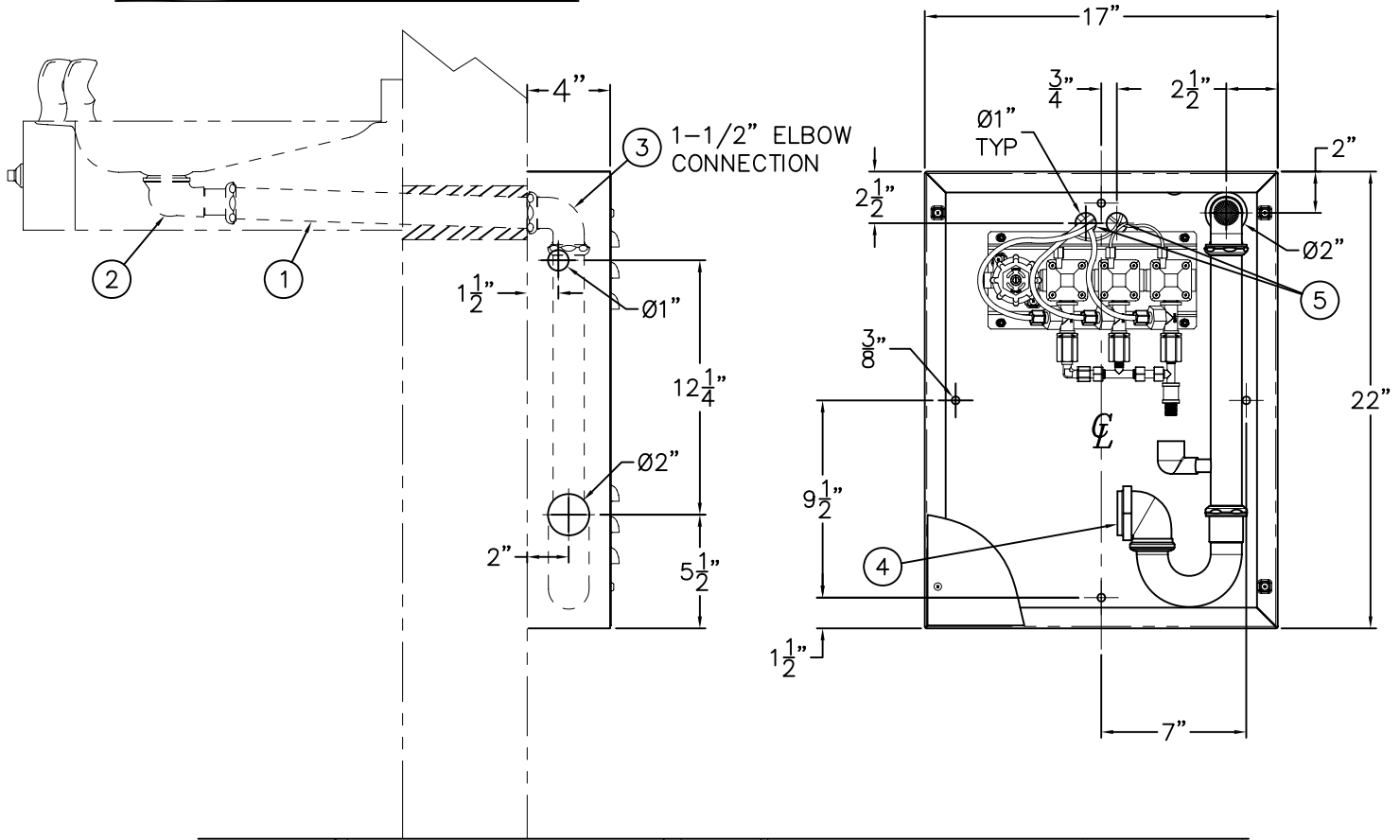
WARNING: SUPPLY LINES SHOULD BE FLUSHED OF ALL FOREIGN MATERIAL. VALVE MUST BE DRAINED PRIOR TO BEING SUBJECTED TO FREEZING TEMPERATURE. MAXIMUM RECOMMENDED OUTLET WATER TEMPERATURE IS 105 F.

ACORN ENGINEERING COMPANY
P.O. BOX 3527 INDUSTRY, CA. 91744
(626) 336-4561 FAX (626) 961-2200

TITLE ADA COMPLIANT DRINKING FOUNTAIN 3 STA. (CAT #2030-ADA)		
MANUFACTURE DATE JANUARY 1980 TO PRESENT	DATE ISSUED 06/01/90	DRAWING NUMBER 9908-023-001
	DATE REVISED 07/15/10	



REFER TO LOCAL CODES AND/OR INDUSTRY STANDARDS FOR CORRECT WASTE DRAIN SLOPE.



ALL WALL ANCHORS AND ANCHORING HARDWARE ARE PROVIDED BY THE INSTALLER.

INSTALLATION INSTRUCTIONS:

- A- INSTALL FIXTURE FOLLOWING APPROPRIATE INSTALLATION SHEETS AND PROVIDE THRU WALL OPENINGS FOR ELBOW WASTE EXTENSION (1) OUTLET AND AIR AND SUPPLY TUBING. NOTE: THRU WALL CONDUIT AND WALL INSULATION IS PROVIDED BY THE INSTALLER.
- B- ASSEMBLE WASTE EXTENSION TUBE (1) THRU WALL TO FIXTURE CLOSE ELBOW (2).
- C- ANCHOR VALVE AND WASTE BOX ON INTERIOR WALL BY ALIGNING FP ELBOW (3) WITH FIXTURE WASTE EXTENSION OUTLET (1).
- D- MAKE UP WASTE CONNECTIONS TO FP BOX 1-1/2" IPS P-TRAP WASTE OUTLET (4).
- E- CONNECT SUPPLY AND AIR TUBING FROM VALVE THRU BOX OPENING (5) TO FIXTURE BUBBLERS AND PUSHBUTTONS.
- F- FLUSH WATER SUPPLY LINE OF ALL DEBRIS PRIOR TO CONNECTING TO VALVE. CONNECT SUPPLY LINE TO VALVE 1/2" NPS HOSE END VALVE INLET CONNECTION.
- G- ATTACH COVER TO BOX TO COMPLETE FP INSTALLATION.

<p>ACORN ENGINEERING COMPANY P.O. BOX 3527 INDUSTRY, CA. 91744 (626) 336-4561 FAX (626) 961-2200</p>	<p>TITLE 3-STATION FREEZE RESISTANT BOX</p>		
	<p>MANUFACTURE DATE</p> <p>SEPTEMBER 1991</p> <p>TO PRESENT</p>	<p>DATE ISSUED</p> <p>12/14/09</p> <p>DATE REVISED</p>	<p>DRAWING NUMBER</p> <p>9908-032-002</p>