



Dura-Ware® 2100 Series Blowout Jet Toilet - Off Floor



2100-W-1-CN

Fixture May Show Some Available Options



Please visit www.acorneng.com for most current specifications.

Blowout Jet Toilet - Off Floor

Fixture is arranged to be installed on finished wall from the front side. Unit is fabricated from 14 gage, type 304 stainless steel and is seamless welded construction. Exterior has a satin finish with an integral contoured seat. The inside of the toilet bowl also has a satin finish. Wall flange is reinforced for maximum strength and offered with optional 3395 Anchoring Assembly for additional support.

Toilet is Blowout Jet type with elongated bowl manufactured to comply with ASME A112.19.3 and CSA B45.4 standards. Toilet requires a minimum of 25 PSI flow pressure and uses a minimum water consumption of 1.28 GPF. Trap has a minimum 3-1/2" seal, will pass a 2-1/8" ball and is fully enclosed. Toilet has a 1-1/2" NPT flushing inlet connection and a gasketed waste outlet.

Flush Valve supply is additionally available for exposed or concealed flush valve styles in 1.28 GPF, 1.6 GPF or 3.5 GPF with 1-1/2" NPT connection.

GUIDE SPECIFICATION

Provide and install Acorn Dura-Ware Blowout Jet Toilet (specify model number and options). Toilet bowl shall be fabricated from 14 gage, type 304 stainless steel. Construction shall be seamless welded and exposed surfaces shall have a satin finish. Toilet shall be concealed blowout jet type with an elongated bowl, a self-draining flushing rim, and an integral contoured seat. Toilet shall meet ASME A112.19.3 and CSA B45.4 requirements and will flush with a minimum of 25 PSI flow pressure when used in conjunction with a minimum of 1.28 GPF. Toilet trap shall have a minimum 3-1/2" seal that shall pass a 2-1/8" diameter ball and be fully enclosed. Toilet waste outlet shall be a gasketed waste.

Compatible Water Closet Support

www.jrsmith.com/uploads/fileLibrary/pm2584.pdf

Dura-Ware® 2100: Blowout Jet Toilet - Off Floor



WALL THICKNESS AND TYPE (Must Specify)

Thickness: _____ Type: Concrete Block Steel

MODEL NUMBER AND OPTIONS SELECTION:

BASE MODEL NUMBER

2100 Blowout Jet Toilet

SUPPLY (Must Specify)

-T Top (Exposed)
 -W Wall (Concealed)

FIXTURE MOUNTING AND WASTE

-1 Off-Floor, Wall Outlet
 -ADA 18" Integral Seat Height

FLUSH VALVE GPF'S (Must Specify)

-1.28 GPF (HET)
 -1.6 GPF (Not Available in California)
 -3.5 GPF (Not Available in California)

FLUSH VALVE OPTIONS (Must Specify)

REFER TO ACORN DURA-WARE ACCESSORIES FOR FV COVER #2802 AND FV PANEL #2898

-FV Flush Valve, Mechanical (N/A for ADA)
 -FVBO Flush Valve by Others
 -FVH Flush Valve, Hydraulic (N/A for Top Supply)
 -FVL Flush Valve, ADA Lever Handle (Wall Supply)
 -MVCFV Time-Trol Flush Valve (N/A for Top Supply)

TOILET SEAT OPTIONS

-HPS High Polish Integral Seat
 -HS-OFLC Hinged Seat, Open Front Less Cover (N/A with #2802 Flush Valve Cover)
 -HS-OFWC Hinged Seat Open Front with Cover (N/A with #2802 Flush Valve Cover)
 -PFS Punched for Seat by Others

TOILET OPTIONS

-3395 Anchoring Assembly
 -BL Bedpan Lugs
 -FT Flood-Trol (N/A w/ Top Supply)**
 -FTA Flood-Trol Auto-Reset (N/A w/ Top Supply)**
 -FTE Flood-Trol Electronic**

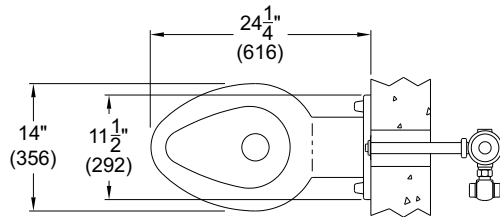
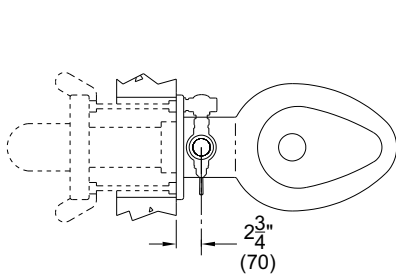
(NOTE: **Not available with Top Supply. Requires min. 6" wall depth and Access Panel to install and service.)

-FVT Flush Thru Wall Connector
 -PE Plain End Waste Extended 3" Beyond Rear of Fixture
 -TF Transformer, 120VAC to 24VAC (-MVCFV option)
 -TSC Toilet Shipping Cover

PRODUCT OPTIONS

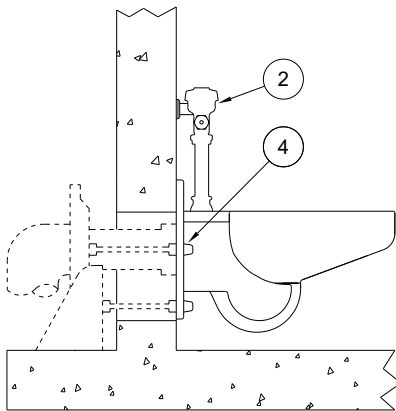
-BCN Blind Cap Nuts (3)
 -CN Cap Nuts (3)
 -EGE Enviro-Glaze Color Specify: _____
 -VAC Toilet Exterior Only AcornVac System

Please visit www.acorneng.com for most current specifications.

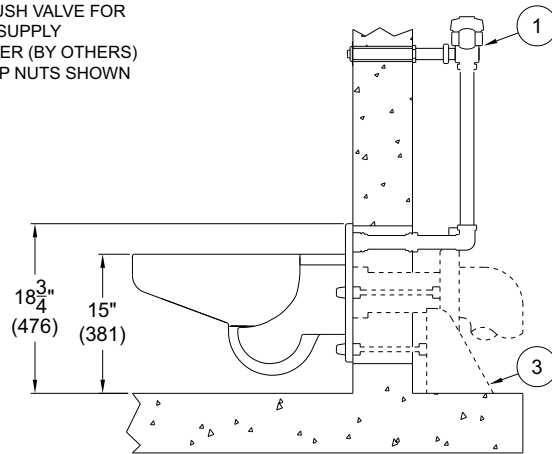


NOTES:

- OPTIONAL -FV FLUSH VALVE FOR CONCEALED -W WALL SUPPLY
- OPTIONAL -FV FLUSH VALVE FOR EXPOSED -T TOP SUPPLY
- MOUNTING CARRIER (BY OTHERS)
- OPTIONAL -CN CAP NUTS SHOWN



2100-T-1



2100-W-1

WARNING: Cancer and Reproductive Harm - www.P65Warnings.ca.gov

| | |
|--|--|
| <p>Important: Installation instructions and current rough-in are furnished with each fixture. Do not rough in without certified dimensions. Dimensions are subject to manufacturer's tolerance of plus or minus 1/4" and change without notice. Acorn assumes no responsibility for use of void or superseded data. © Copyright 2009 Acorn Engineering Company</p> | |
| <p>Selection Summary</p> <p>Model No. & Option _____</p> <p>Quantity _____</p> | <p>Approved for Manufacturing</p> <p>Company _____ Title _____</p> <p>Signature _____ Date _____</p> |