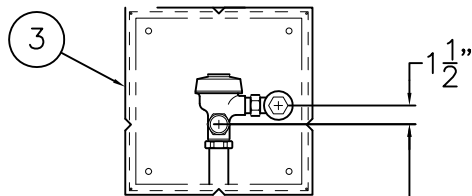
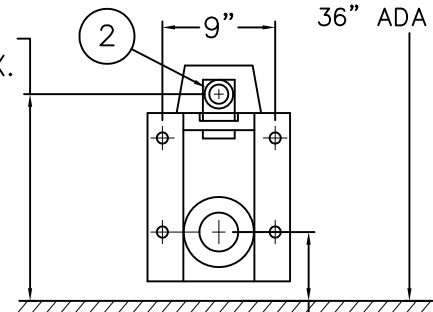


TOP VIEW



16 1/2" * A.F.F.
19 1/2" ADA MAX.

39" * A.F.F.
36" ADA MAX.



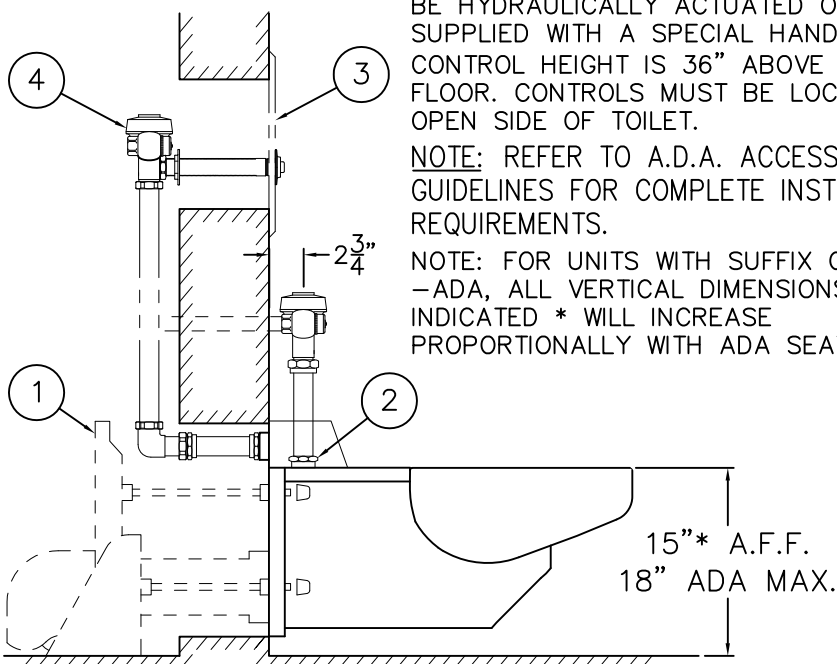
(-W) WALL SUPPLY
REAR VIEW

5 1/2" * A.F.F.
8 1/2" ADA MAX.

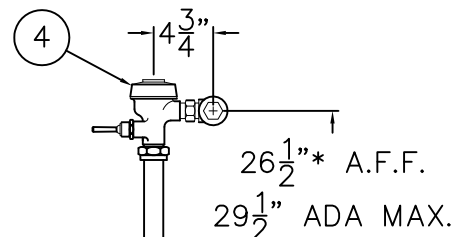
FOR -ADA MODELS -FLUSH VALVE MUST BE HYDRAULICALLY ACTUATED OR SUPPLIED WITH A SPECIAL HANDLE. MAX. CONTROL HEIGHT IS 36" ABOVE FINISHED FLOOR. CONTROLS MUST BE LOCATED ON OPEN SIDE OF TOILET.

NOTE: REFER TO A.D.A. ACCESSIBILITY GUIDELINES FOR COMPLETE INSTALLATION REQUIREMENTS.

NOTE: FOR UNITS WITH SUFFIX OPTION -ADA, ALL VERTICAL DIMENSIONS INDICATED * WILL INCREASE PROPORTIONALLY WITH ADA SEAT HEIGHT.



SIDE VIEW



(-T) TOP SUPPLY
REAR VIEW

5-1/2" DIA GASKET FLANGE
7/8" DIA HOLE (4) PLACES

NOTE: 2105BAR BARIATRIC TOILETS ARE RATED AT 1000 LBS ONLY WHEN USED WITH THE OPTIONAL -MC MOUNTING CARRIER OR EQUIVALENT. REFER TO DRAWING #9908-394-001.

NOTE: FOR UNITS WITH -W WALL SUPPLY FLUSH VALVE, ACCESS FOR CONNECTING AND SERVICING FLUSH VALVE IS REQUIRED.

INSTALLATION INSTRUCTIONS:

A- CARRIER AND WASTE FITTINGS (1) BY OTHERS. CARRIERS ARE NORMALLY FURNISHED COMPLETE WITH WASTE CONNECTION, SUPPORTING STUDS AND CAP NUTS. CONTACT THE CARRIER MANUFACTURER OF YOUR CHOICE FOR DETAILS.

B- ROUGH-IN FOR FLUSHING INLET 1-1/2" NPT (2).

C- FOR DURA-WARE FLUSH VALVE ACCESS PANELS (3), FOR CONCEALED FLUSH VALVE INSTALLATION REFER TO DRAWING #9908-399-001.

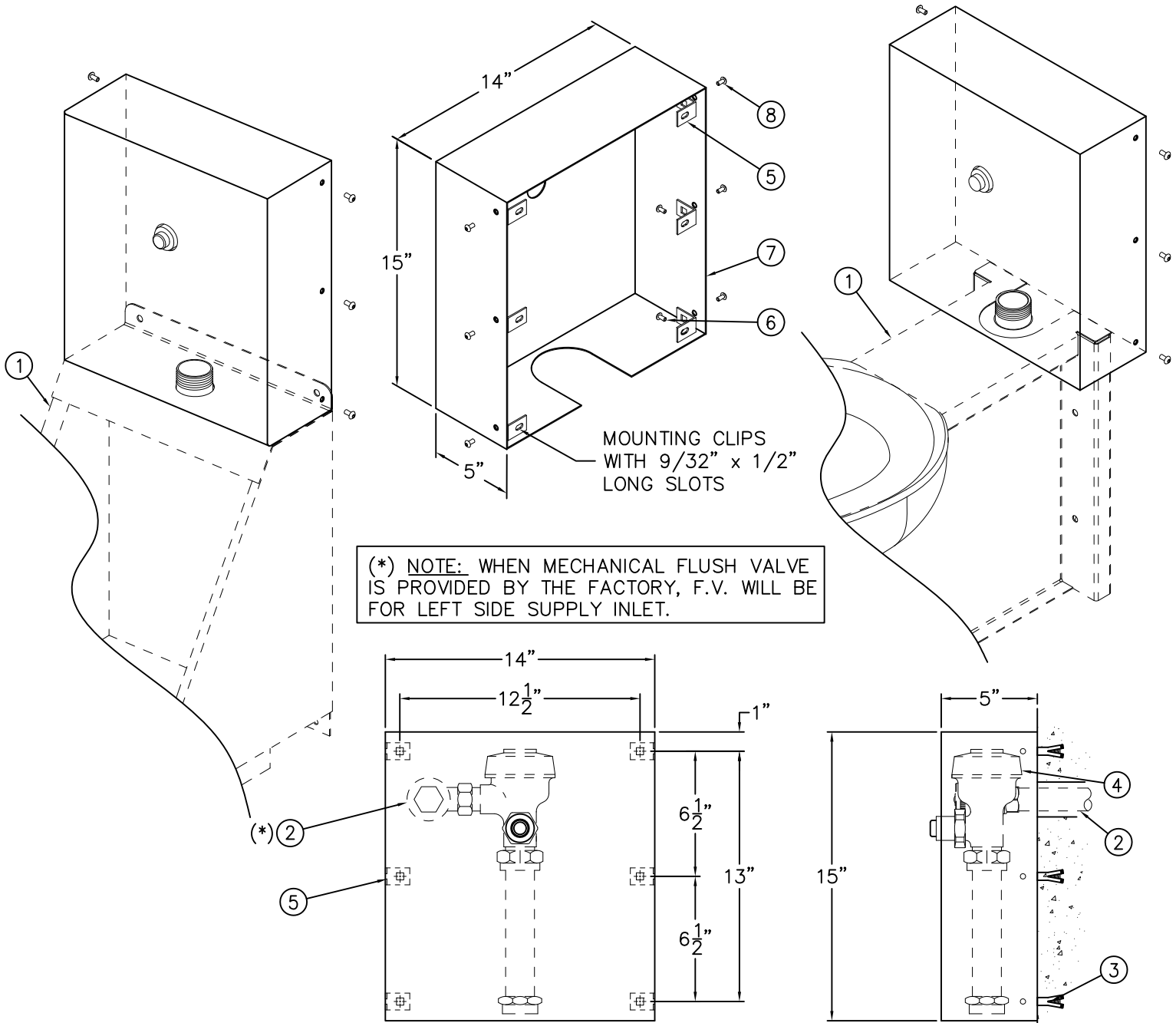
D- MOUNT FIXTURE TO THE WALL CARRIER. PLACE ON 5/8" STUDS BY OTHERS AND ATTACH WITH CAP NUTS.

E- SUFFIX -FV OPTIONAL FLUSH VALVE. CONNECT FLUSH VALVE (4) PER MANUFACTURER'S RECOMMENDATIONS.



ACORN ENGINEERING COMPANY
P.O. BOX 3527 Industry, CA 91744
15125 Proctor Ave Industry, CA 91746
(626) 336-4561 FAX (626) 961-2200

TITLE SIPHON JET TOILET - OFF FLOOR (CAT. #2105 & #2105-ADA)		
MANUFACTURE DATE	DATE ISSUED	DRAWING NUMBER
FEBRUARY 1975	06/01/90	9908-401-001
TO PRESENT	DATE REVISED 04/08/13	



(* NOTE: WHEN MECHANICAL FLUSH VALVE IS PROVIDED BY THE FACTORY, F.V. WILL BE FOR LEFT SIDE SUPPLY INLET.

Front View of -FVC

Side View of -FVC

INSTALLATION INSTRUCTIONS:

- A- MOUNT FIXTURE ① TO WALL.
- B- ROUGH-IN FOR FLUSH VALVE SUPPLY ② REFER TO FIXTURE INSTALLATION INSTRUCTIONS.
- C- LOCATE AND INSTALL WALL ANCHORS (BY OTHERS) ③.
- D- INSTALL FLUSH VALVE ④ TO FIXTURE ①.
- E- ATTACH MOUNTING CLIPS ⑤ TO WALL USING MOUNTING SCREWS ⑥ (BY OTHERS).
- F- ATTACH FLUSH VALVE COVER ⑦ TO MOUNTING CLIPS ⑤ USING #10-32 SCREWS ⑧ PROVIDED.

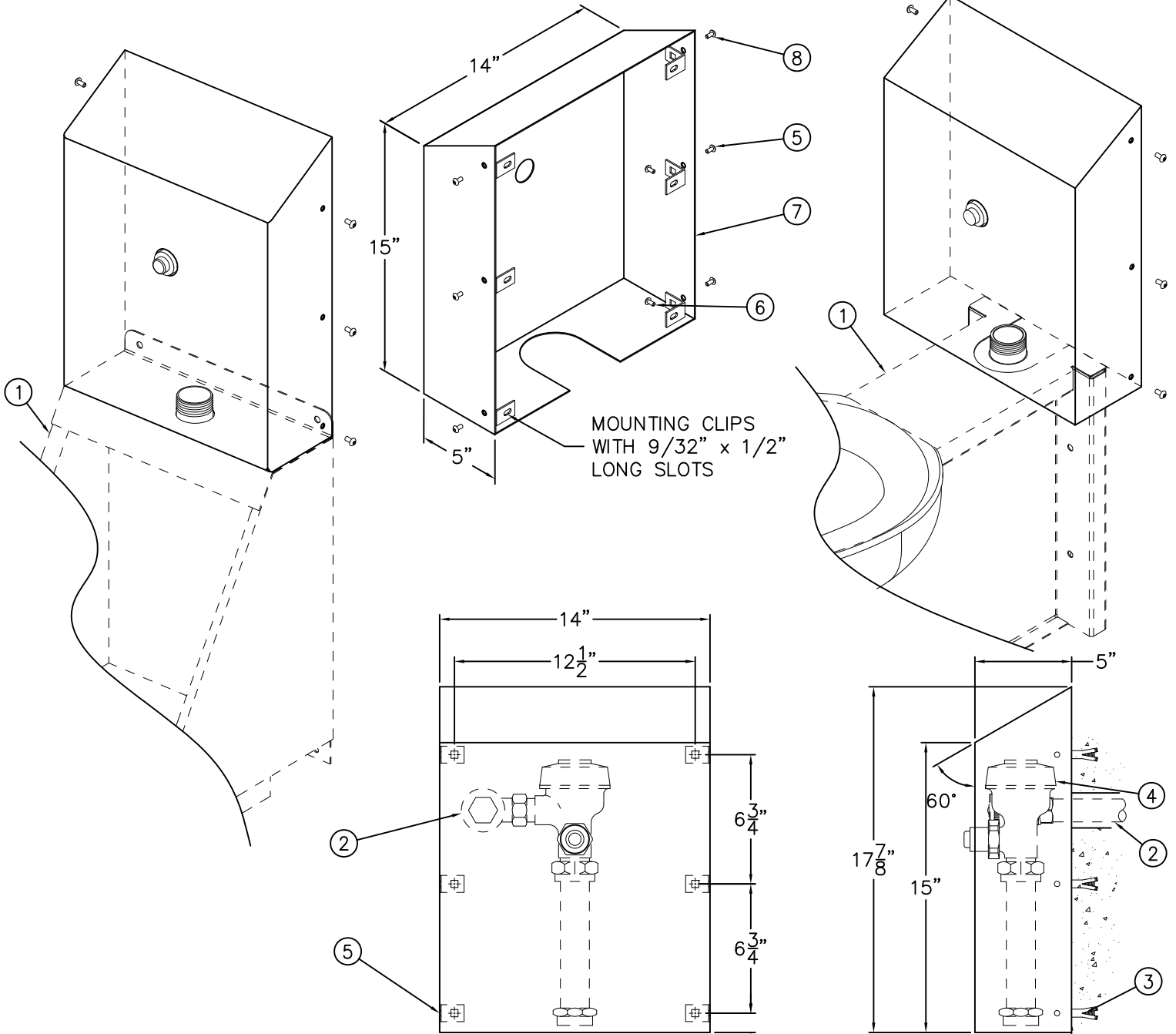
Reference Drawings	
Security Screws	9951-005-001
Tinnerman Nuts	9951-007-001

NOTE: FIXTURES SHOWN FOR REFERENCE ONLY.



ACORN ENGINEERING COMPANY
P.O. BOX 3527 Industry, CA 91744
15125 Proctor Ave Industry, CA 91746
(626) 336-4561 FAX (626) 961-2200

TITLE		
-FVC FLUSH VALVE COVER #2802		
MANUFACTURE DATE	DATE ISSUED	DRAWING NUMBER
FEBRUARY 1975	04/17/98	9908-395-001
TO PRESENT	DATE REVISED	
	12/21/16 D	



MOUNTING CLIPS WITH 9/32" x 1/2" LONG SLOTS

Front View of -FVC-SLPT

Side View of -FVC-SLPT

INSTALLATION INSTRUCTIONS:

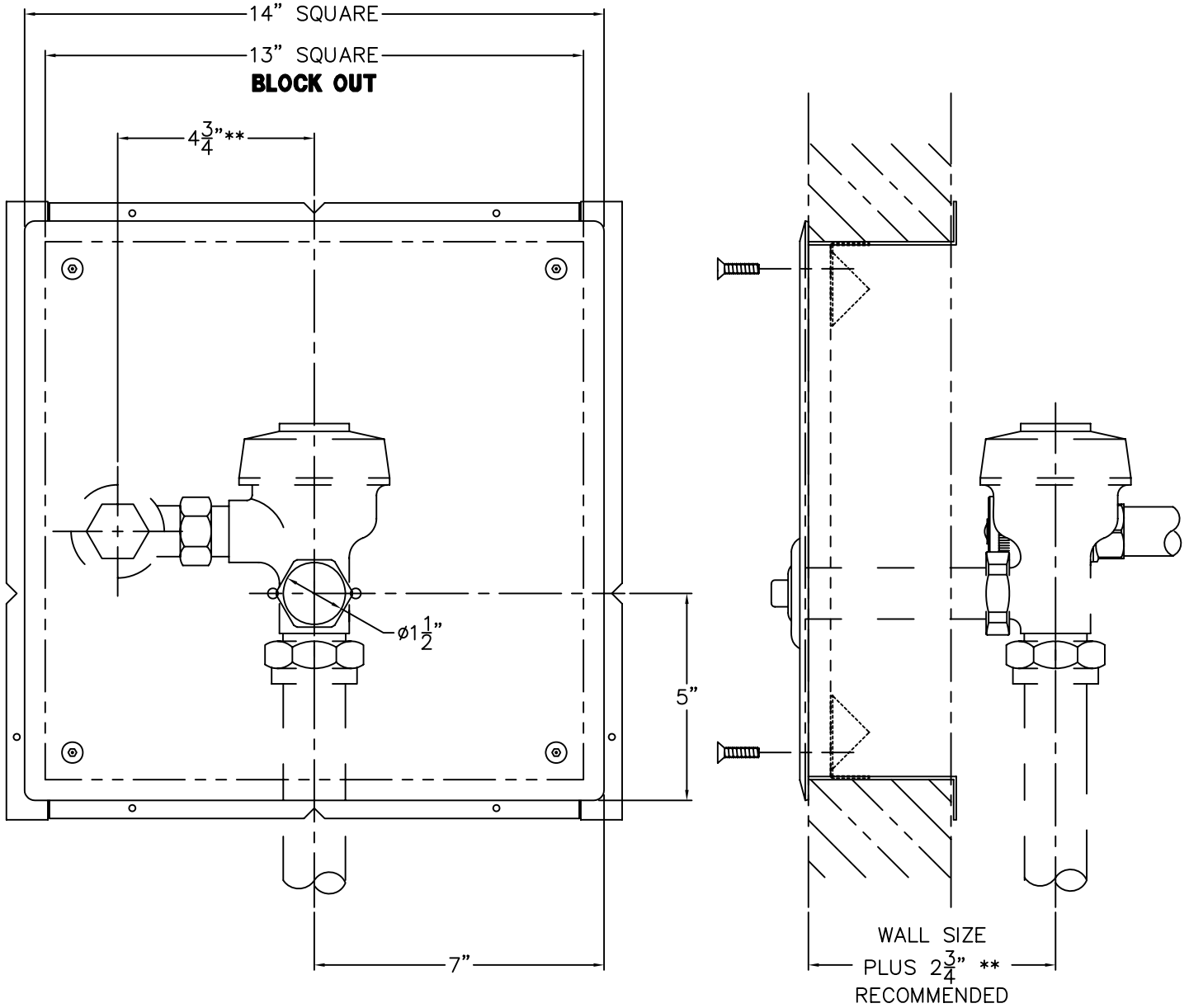
- A- MOUNT FIXTURE ① TO WALL.
- B- ROUGH-IN FOR FLUSH VALVE SUPPLY ② REFER TO FIXTURE INSTALLATION INSTRUCTIONS.
- C- LOCATE AND INSTALL WALL ANCHORS (BY OTHERS) ③.
- D- INSTALL FLUSH VALVE ④ TO FIXTURE ①.
- E- ATTACH MOUNTING CLIPS ⑤ TO WALL USING MOUNTING SCREWS ⑥ (BY OTHERS).
- F- ATTACH FLUSH VALVE COVER ⑦ TO MOUNTING CLIPS ⑤ USING #10-32 SCREWS ⑧ PROVIDED.

Reference Drawings

Security Screws	9951-005-001
Tinnerman Nuts	9951-007-001

NOTE: FIXTURES SHOWN FOR REFERENCE ONLY.

<p>ACORN ENGINEERING COMPANY P.O. BOX 3527 Industry, CA 91744 15125 Proctor Ave Industry, CA 91746 (626) 336-4561 FAX (626) 961-2200</p>	<p>TITLE -FVC-SLPT FLUSH VALVE COVER WITH SLOPING TOP #2802</p>	
	<p>MANUFACTURE DATE FEBRUARY 1975 TO PRESENT</p>	<p>DATE ISSUED 03/07/11</p> <p>DATE REVISED 04/15/13 E</p>



** NOTE: FLUSH VALVE SHOWN FOR REFERENCE ONLY. INSTALL FLUSH VALVE IN ACCORDANCE TO FLUSH VALVE MANUFACTURER'S INSTALLATION SHEETS.

INSTALLATION INSTRUCTIONS

SLEEVES ARE INSTALLED IN FORMS (USING NAIL HOLES PROVIDED) OR GROUTED INTO BLOCK WALLS, BECOMING A PERMANENT PART OF THE WALL. FRONT OF PANEL SHOULD BE FLUSH WITH FINISHED WALL.

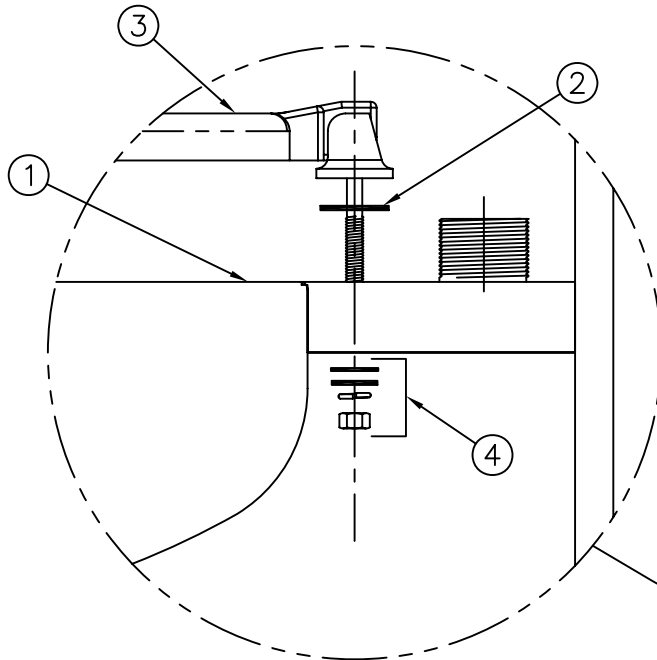
A- INSTALL SLEEVE WITH FLANGE ON PIPE CHASE SIDE OF WALL.

B- LOCATE TOP AND BOTTOM NOTCHES AND MARK VERTICAL CENTERLINE FOR FLUSH VALVE PUSHBUTTON.

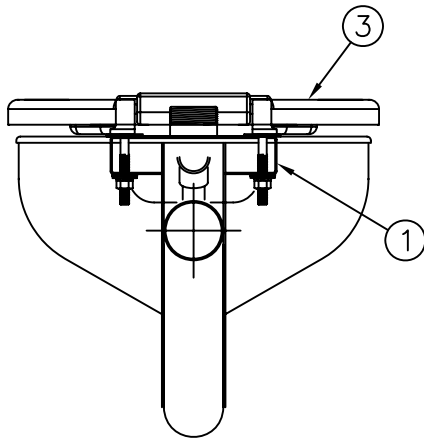
C- LOCATE SIDE NOTCHES AND MARK HORIZONTAL CENTERLINE FOR FLUSH VALVE PUSHBUTTON.

D- ATTACH COVER TO ACCESS PANEL WITH (4) 1/4"-20 x 1" TAMPER-RESISTANT STAINLESS STEEL SCREWS PROVIDED. REFERENCE DRAWING NO. 9951-005-001

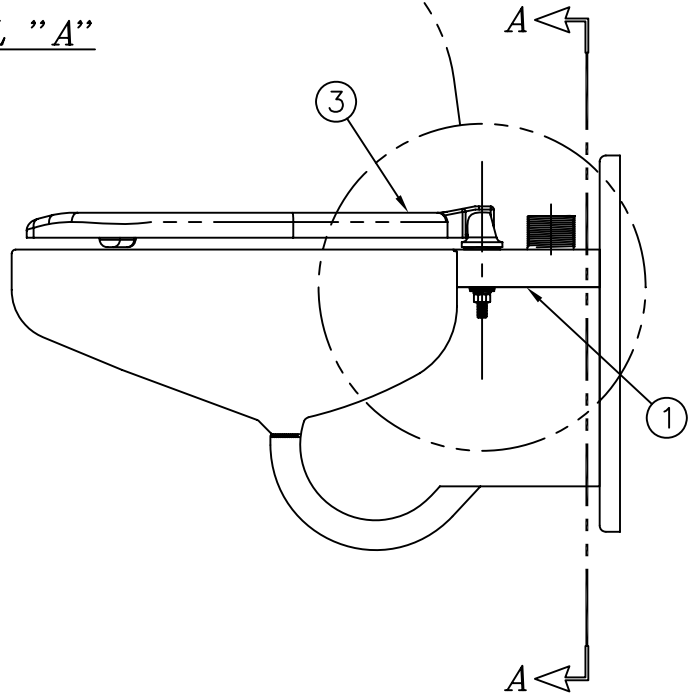
<p>ACORN ENGINEERING COMPANY P.O. BOX 3527 INDUSTRY, CA. 91744 (626) 336-4561 FAX (626) 961-2200</p>	<p>TITLE FLUSH VALVE ACCESS PANEL, MODEL 2898</p>		
	<p>MANUFACTURE DATE</p> <p>JANUARY 1973</p> <p>TO PRESENT</p>	<p>DATE ISSUED</p> <p>06/01/90</p>	<p>DRAWING NUMBER</p> <p>9908-399-001</p>
		<p>DATE REVISED</p> <p>07/19/07</p>	



DETAIL "A"



SECTION A-A



INSTALLATION INSTRUCTIONS-HINGED SEAT AFTER MOUNTING FIXTURE ON WALL:

- A-LOCATE HINGED SEAT MOUNTING HOLES IN FIXTURE ①.
- B-INSERT WASHERS ② BETWEEN TOP OF TOILET AND HINGE SEAT ③.

- C-POSITION HINGED SEAT ③ ON TOP OF UNIT.
- C-ASSEMBLE HARDWARE ④ AS SHOWN IN MOUNTING DETAIL "A".

ACORN ENGINEERING COMPANY
P.O. BOX 3527 INDUSTRY, CA. 91744
(626) 336-4561 FAX (626) 961-2200

TITLE -HS HINGED SEAT OPTION INSTALLATION DETAIL - TOILETS		
MANUFACTURE DATE	DATE ISSUED	DRAWING NUMBER
APRIL 2008	04/09/08	
TO PRESENT	DATE REVISED	9908-415-001