



## Meridian® 2141-3 Series Siphon Jet Toilet - Floor Outlet



2141-W-3-RM

Fixture May Show Some Available Options



Please visit [www.acorneng.com](http://www.acorneng.com) for most current specifications.

### Siphon Jet Toilet - Floor Outlet

**Meridian® Toilet** contoured Housing feature an attractive, satin finish and are optionally available with a High Polish Finish (-HP) for an exceptional, elegant appearance. The standard Toilet Bowl has a matte finish on the inside. Mounting is available for front or rear installations. All units include punching for an elongated Hinged Seat. (-HS Hinged Seat is optionally available.) Housing includes Access Panel on each side for installation of fixture and Hinged Seat.

**Toilet** is a Siphon Jet Floor Outlet type with an elongated bowl manufactured to ASME A112.19.3-2008 and CSA B45.4-2008 requirements and will flush with a minimum of 25 PSI flow pressure when used in conjunction with a minimum of 1.28 GPF. P-Trap has a minimum 3-1/2" Seal and will pass a 2-1/8" Ball and is fully enclosed. Waste Outlet connection is a 7-1/2" diameter recessed Gasket Flange.

**Flush Valve** supply is available for exposed or concealed Flush Valve styles with 1-1/2" NPT connection.

**Front Mount (-FM)** Mounting Plate is mounted directly to reinforced wall for Front Mount models. Wall Anchors and Mounting Hardware are By Others.

**Rear Mount (-RM)** unit includes integral 1/2" UNC Anchor Tapping and mounting hardware. Unit requires an accessible pipe chase for installation.

#### GUIDE SPECIFICATION

Acorn Meridian® Siphon Jet Floor Outlet Toilet, On-Floor (specify model number and options). Fixture to be heavy gage type 304 stainless steel. Exposed surfaces shall be polished to a satin finish. Housing to include side Access Panels and punching for Hinged Seat. Toilet shall meet ASME A112.19.3-2008 and CSA B45.4-2008 requirements and will flush with a minimum of 25 PSI flow pressure when used in conjunction with a minimum of 1.28 GPF. Toilet P-Trap shall have a minimum 3-1/2" Seal that shall pass a 2-1/8" diameter Ball and be fully enclosed.



# Meridian®: 2141-3 Siphon Jet Toilet - Floor Outlet

## WALL THICKNESS AND TYPE (Must Specify)

Thickness: \_\_\_\_\_ Type:  Concrete  Block  Steel

## MODEL NUMBER AND OPTIONS SELECTION:

### BASE MODEL NUMBER

2141 Siphon Jet Toilet

### SUPPLY SELECTION (Must Specify)

-T Top (Exposed)  
 -W Wall (Concealed)

### FIXTURE MOUNTING & WASTE

-3 On-Floor, Floor Outlet  
 -ADA 18" Integral Seat Height

### INSTALLATION (Must Specify)

-FM Front Mount  
 -RM Rear Mount

### FLUSH VALVE GPFs (Must Specify)

-1.28 GPF (HET)  
 -1.6 GPF (Not Available in California)  
 -3.5 GPF (Not Available in California)

### FLUSH VALVE OPTIONS (Must Specify)

**\*NOTE: FOR FLUSH VALVE ACCESS PANEL OR COVER REFER TO ACORN OPTIONS MODEL #2898 (-W SUPPLY) OR # 2802 (-T SUPPLY).**

-FV Flush Valve, Mechanical (N/A for ADA)  
 -FVBO Flush Valve by Other  
 -FVH Flush Valve, Hydraulic (N/A for Top Supply)  
 -FVL Flush Valve, ADA Lever Handle  
 -MVCFV Time-Trol Flush Valve (N/A for Top Supply)

## TOILET SEAT OPTIONS

-HS-OFLC Hinged Seat, Open Front Less Cover  
 -HS-OFWC Hinged Seat With Cover  
 -LPFS Less Punch for Hinged Seat

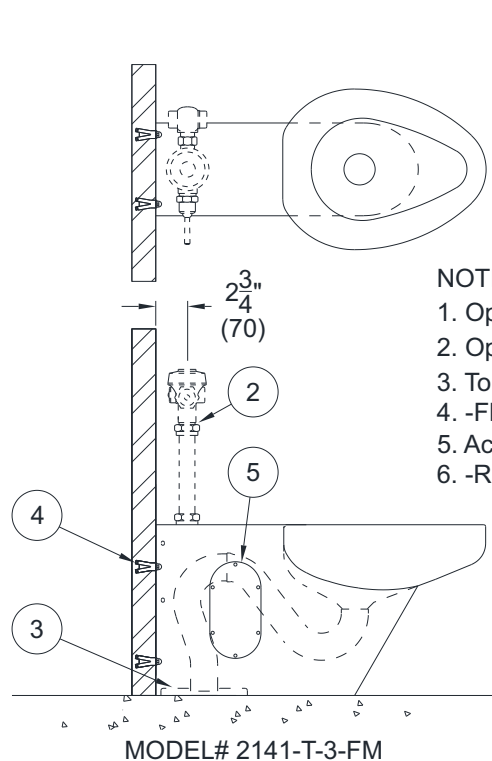
## TOILET OPTIONS

-FVT Flush Thru Wall Connector

## PRODUCT OPTIONS

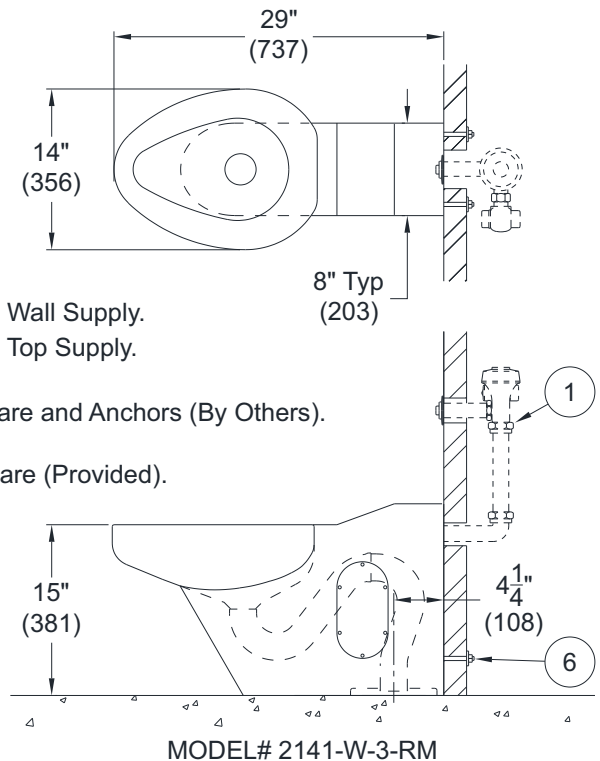
-BL Bedpan Lugs  
 -EGE Enviro-Glaze Color Specify: \_\_\_\_\_  
 Toilet Exterior Only  
 -FG 14 Gage Housing  
 -HP High Polish Finish (Exterior Only)  
 -MT Metal Template  
 -SW Wall Sleeve (-RM Models Only)  
 -TF Transformer, 120VAC to 24VAC (-MVCFV option)

Please visit [www.acorneng.com](http://www.acorneng.com) for most current specifications.



### NOTES:

1. Optional -FV Flush Valve - Wall Supply.
2. Optional -FV Flush Valve - Top Supply.
3. Toilet Floor Waste Outlet.
4. -FM Wall Mounting Hardware and Anchors (By Others).
5. Access Panel. Both Sides.
6. -RM Wall Mounting Hardware (Provided).



**WARNING:** Cancer and Reproductive Harm - [www.P65Warnings.ca.gov](http://www.P65Warnings.ca.gov)

<p><b>Important:</b> Installation instructions and current rough-in are furnished with each fixture. Do not rough in without certified dimensions.          Dimensions are subject to manufacturer's tolerance of plus or minus 1/4" and change without notice. Acorn assumes no responsibility for use of void or superseded data. © Copyright 2009 Acorn Engineering Company</p>	
<p>Selection Summary</p> <p>Model No. &amp; Option _____</p> <p>Quantity _____</p>	<p>Approved for Manufacturing</p> <p>Company _____ Title _____</p> <p>Signature _____ Date _____</p>