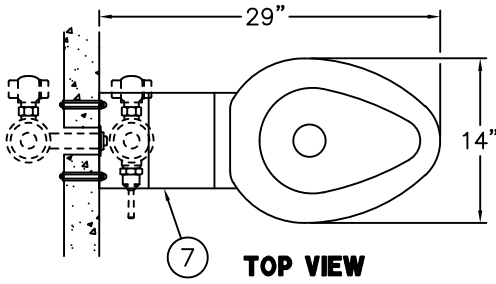


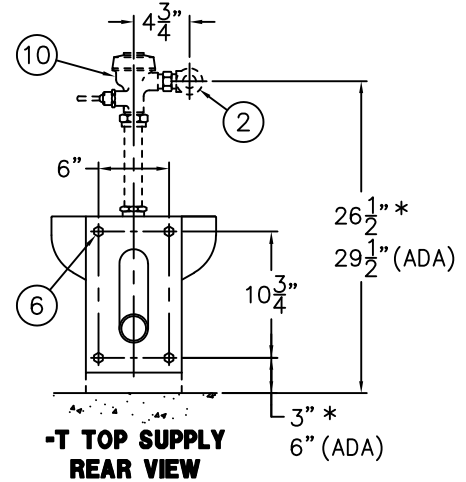


REFERENCE DRAWINGS	
-SW WALL SLEEVE	9927-526-001
-MT METAL TEMPLATE	9927-526-001

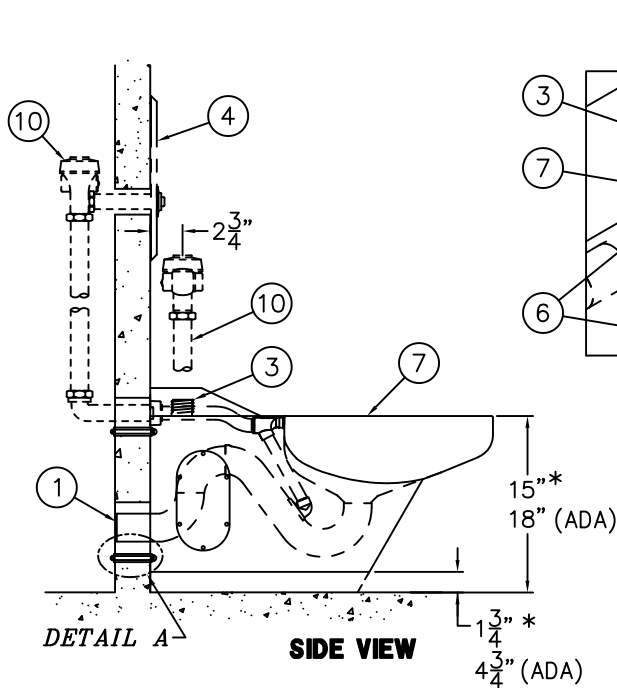


TOP VIEW

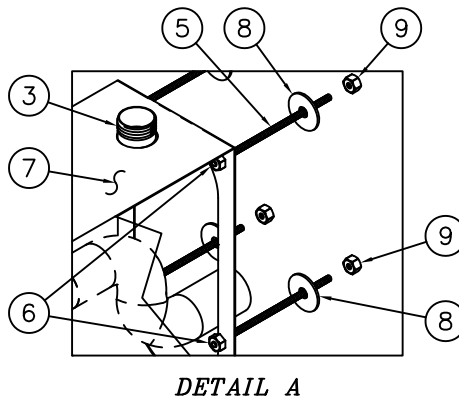
NOTE: USE ONLY APPROPRIATE UPC/cUPC CERTIFIED FLUSH VALVE FOR THE INSTALLATION OF THIS TOILET.



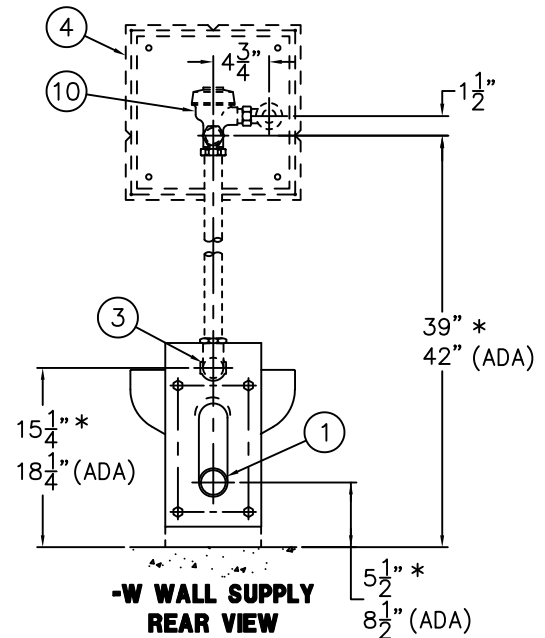
-T TOP SUPPLY REAR VIEW



SIDE VIEW



DETAIL A



-W WALL SUPPLY REAR VIEW

INSTALLATION INSTRUCTIONS:

- A- ROUGH-IN FOR THE FOLLOWING:
 - 2-3/8" OD PLAIN END WASTE ①. FOR OPTIONAL -W03, 3" OD PLAIN END.
 - FLUSH VALVE INLET 1" NPT ②.
 - FIXTURE FLUSHING INLET 1-1/2" NPT ③.
- B- IF AN OPTIONAL 2898 FLUSH VALVE ACCESS PANEL ④ IS REQUIRED (FOR CONCEALED FLUSH VALVES), INSTALL SLEEVE. SEE DRAWING #9908-399-001.
- C- THREAD 1/2"-13 UNC STUDS ⑤ (1/2" ENGAGEMENT MINIMUM) PROVIDED ONTO MOUNTING POINTS ⑥ LOCATED ON THE REAR OF THE FIXTURE.
- D- ALIGN FIXTURE ⑦ WITH THROUGH WALL OPENINGS ON OPTIONAL -SW WALL SLEEVE OR PROVIDED BY INSTALLER AND SLIDE AGAINST THE WALL.

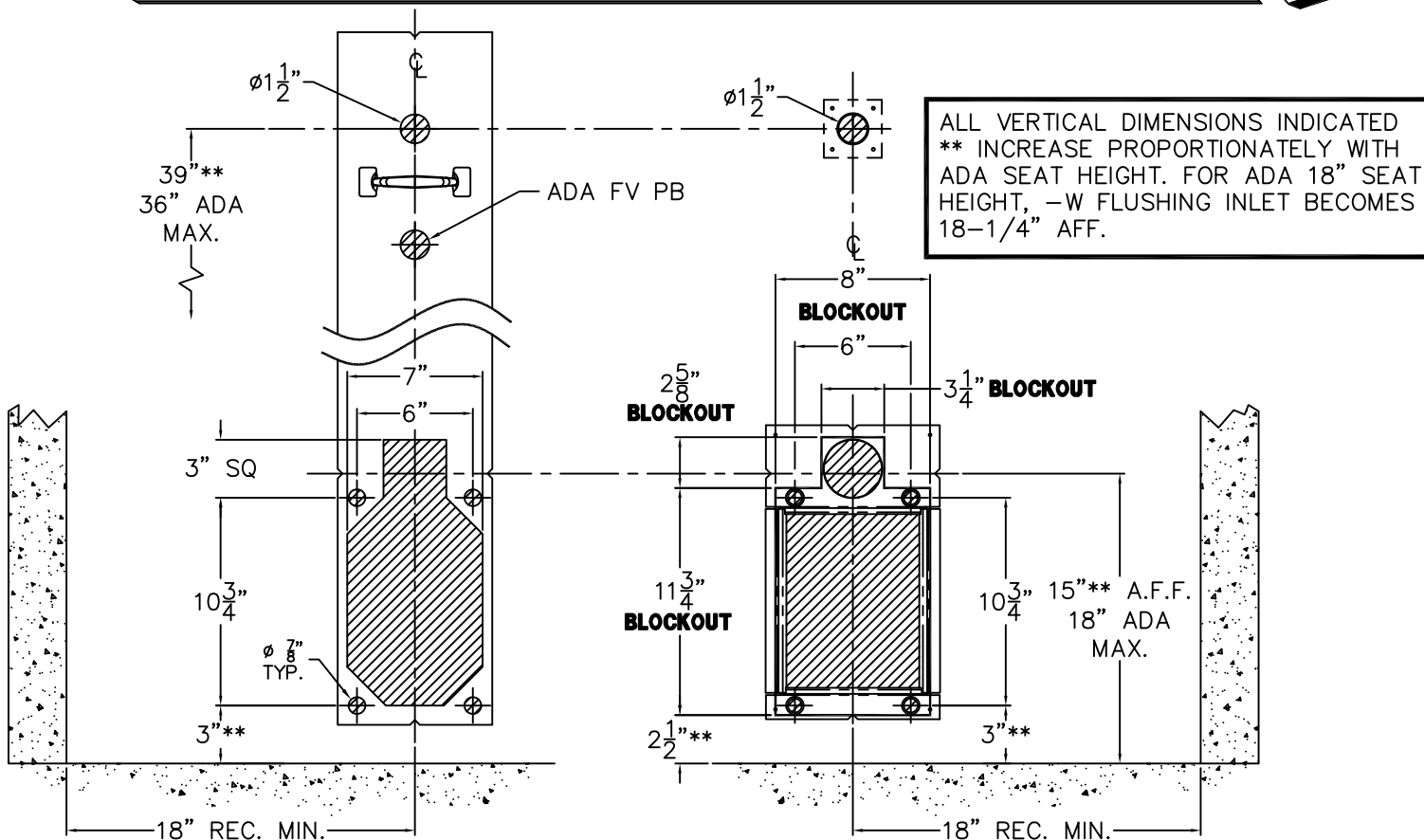
- E- PLACE WASHERS ⑧ & NUTS ⑨ ONTO STUDS ⑤ FROM CHASE SIDE AND TIGHTEN TO 60 FT. LBS.
- F- MAKE UP SUPPLY ③ & WASTE ① CONNECTIONS.
- G- FOR OPTIONAL -FV FLUSH VALVE: CONNECT FLUSH VALVE ⑩ AS REQUIRED FOR CONCEALED INSTALLATION PER MANUFACTURER'S RECOMMENDATIONS.

NOTE: FOR -ADA UNITS REFER TO ADA ACCESSIBILITY GUIDELINES FOR COMPLETE INSTALLATION REQUIREMENTS. FOR UNITS WITH SUFFIX OPTION -ADA, ALL VERTICAL DIMENSIONS INDICATED * WILL INCREASE PROPORTIONALLY WITH ADA SEAT HEIGHT. FLUSH VALVE MUST BE HYDRAULICALLY ACTUATED OR SUPPLIED WITH AN ADA HANDLE. MAX CONTROL HEIGHT IS 44" ABOVE FINISHED FLOOR. ADA CONTROLS MUST BE LOCATED ON THE WIDE SIDE OF TOILET.



ACORN ENGINEERING COMPANY
P.O. BOX 3527 Industry, CA 91744
15125 Proctor Ave Industry, CA 91746
(626) 336-4561 FAX (626) 961-2200

TITLE		
SIPHON JET, REAR MOUNT, ON/OFF FLOOR, WALL OUTLET -2141-W/T-1/2-RM		
MANUFACTURE DATE	DATE ISSUED	DRAWING NUMBER
OCTOBER 1997	11/4/97	9927-522-001
TO PRESENT	DATE REVISED	
	02/01/19 E	



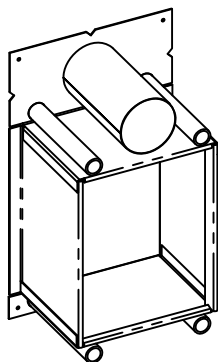
ALL VERTICAL DIMENSIONS INDICATED
 ** INCREASE PROPORTIONATELY WITH
 ADA SEAT HEIGHT. FOR ADA 18" SEAT
 HEIGHT, -W FLUSHING INLET BECOMES
 18-1/4" AFF.

SW WALL SLEEVE

SLEEVES ARE INSTALLED IN FORMS USING NAIL HOLES PROVIDED OR GROUTED INTO BLOCK WALLS BECOMING A PERMANENT PART OF THE WALL.

NOTE: FOR POURED WALL CONSTRUCTION, TEMPORARY BRACING SHOULD BE INSTALLED WITHIN OPENING TO PREVENT DEFORMATION TO SLEEVE WHICH MAY OCCUR DURING POUR. DO NOT POUR CONCRETE DIRECTLY ON TOP OF WALL SLEEVE. THE PUSHBUTTON SLEEVE IS CAPPED. THIS CAP MUST BE REMOVED FROM THE CHASE SIDE OF THE WALL SLEEVE, BEFORE INSTALLING FLUSH VALVE PUSHBUTTON.

- A-INSTALL SLEEVE WITH FLANGE ON CHASE SIDE OF WALL.
- B-SIDE NOTCHES INDICATE INTEGRAL TOILET SEAT HEIGHT LOCATED 15" AFF ABOVE FINISHED FLOOR ON FIXTURE SIDE.
- C-VERTICAL OR TOP & BOTTOM NOTCHES INDICATE CENTERLINE OF SLEEVE AND FIXTURE TOILET HOUSING
- D-USE BLOCKOUT DIMENSIONS SHOWN WHEN SLEEVES ARE NOT AVAILABLE.

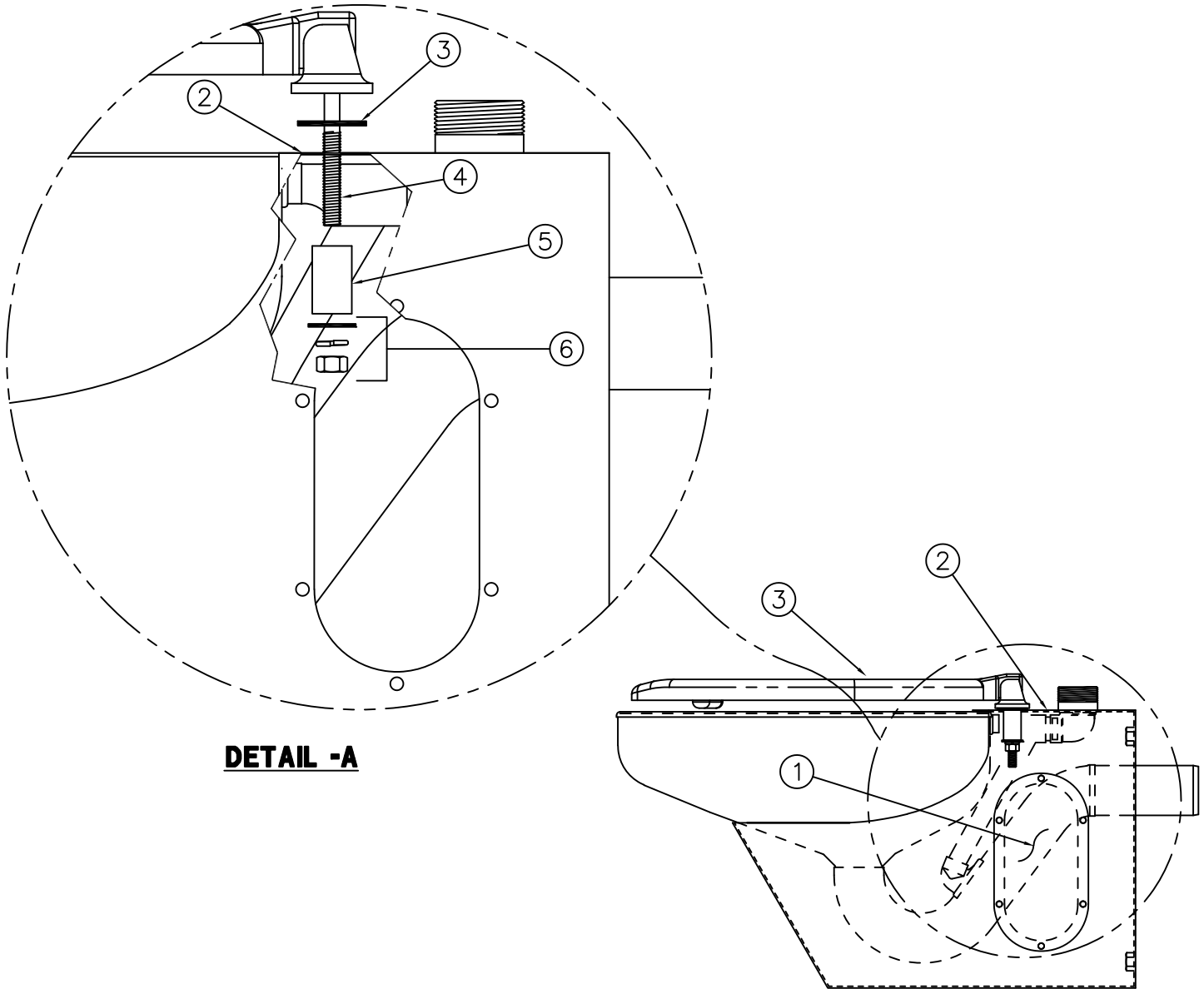


MT METAL TEMPLATES

METAL TEMPLATES ARE USED TO LAYOUT REQUIRED WALL OPENINGS FOR SUBSEQUENT FLAME CUTTING OR CORE DRILLING.

- A-MEASURE FROM FINISHED FLOOR ON FIXTURE SIDE, AND STRIKE A HORIZONTAL CHALK LINE ON THE WALL AT 15" AFF ABOVE FINISHED FLOOR. THIS WILL INDICATE TOILET SEAT HEIGHT.
- B-STRIKE A VERTICAL CHALK LINE AT DIMENSIONS SHOWN FOR VERTICAL OR TOP AND BOTTOM NOTCHES, INDICATING CENTERLINE OF SLEEVE AND FIXTURE HOUSING.
- C-PLACE TEMPLATE AGAINST WALL ALIGNING VERTICAL AND HORIZONTAL NOTCHES AND MARK REQUIRED WALL OPENINGS.


ACORN ENGINEERING COMPANY P.O. BOX 3527 Industry, CA 91744 15125 Proctor Ave Industry, CA 91746 (626) 336-4561 FAX (626) 961-2200	TITLE -SW & -MT METAL TEMPLATE (2140/2141-W-1/2/3-RM) (2140-VAC-W-1-RM)		
	MANUFACTURE DATE OCTOBER 14997 TO PRESENT	DATE ISSUED 10/29/98 DATE REVISED 12/27/18	DRAWING NUMBER 9927-526-001



DETAIL -A

INSTALLATION INSTRUCTIONS- HINGED SEAT AFTER MOUNTING FIXTURE TO WALL

- A- REMOVE ACCESS PANEL ① FROM BOTH SIDES OF HOUSING ②.
- B- PLACE RUBBER GASKET ③ ONTO SEAT'S THREADED RODS ④.
- C- POSITION SEAT ONTO TOILET HOUSING ② AND SLIDE SEAT THREADED RODS ④ THROUGH SPACER ⑤.
- D- ASSEMBLE HARDWARE ⑥ AS SHOWN IN DETAIL "A".
- E- ENSURE ALL HARDWARE IS TIGHT AND REPLACE ACCESS PANELS ① TO HOUSING ②.

 MORRIS GROUP INTL P.O. BOX 3527 Industry, CA 91744 MORRIS GROUP 15125 Proctor Ave Industry, CA 91746 INTERNATIONAL (626) 336-4561 FAX (626) 961-2200	TITLE -HS HINGED SEAT INSTALLATION DETAIL MERIDIAN TOILETS	
	MANUFACTURE DATE APRIL 2008 TO PRESENT	DATE ISSUED 04/08/08 DATE REVISED