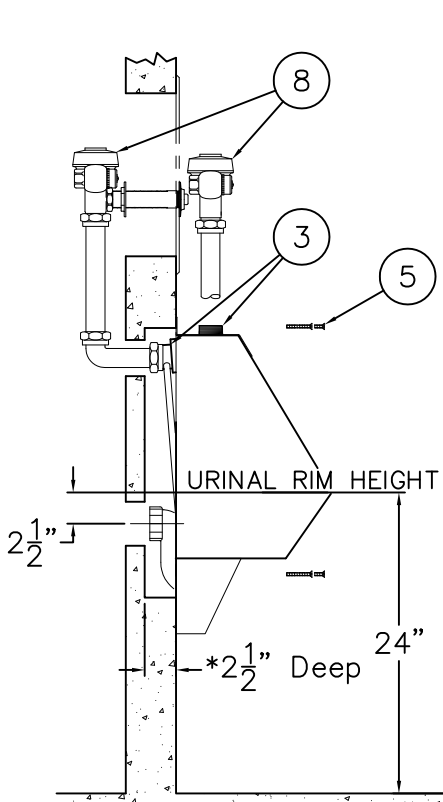


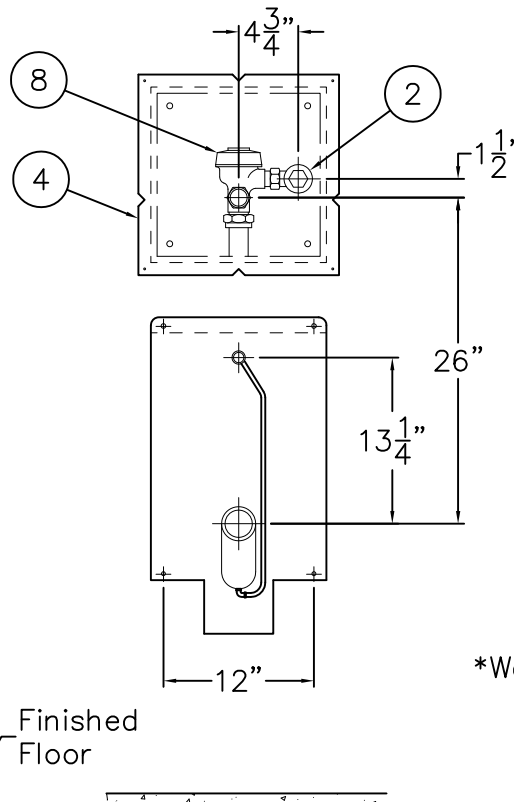
DETAIL 'A'

REFERENCE DRAWINGS:

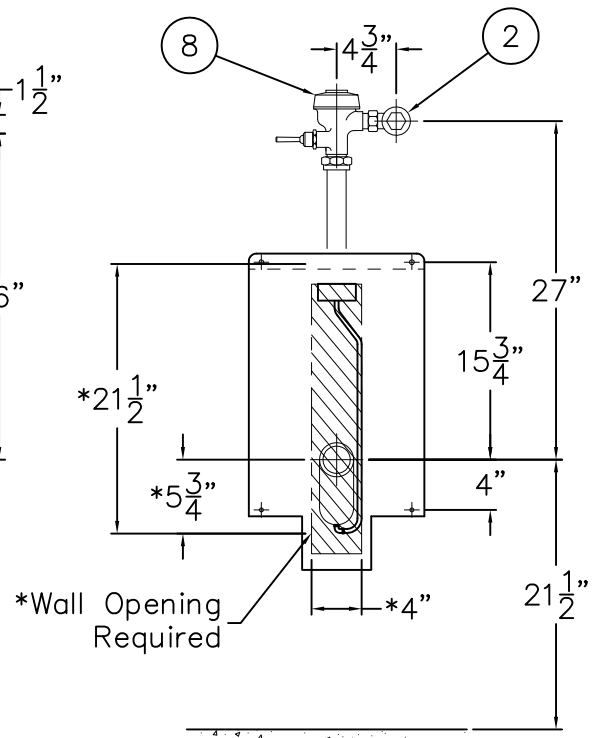
WASTE ADAPTERS	9985-100-002
----------------	--------------



SIDE VIEW



**ROUGH-IN REAR VIEW OF
-W WALL SUPPLY**



**ROUGH-IN REAR VIEW OF
-T TOP SUPPLY**

INSTALLATION INSTRUCTIONS

A- ROUGH-IN FOR THE FOLLOWING:

- 2" WASTE OUTLET. ADAPTER FURNISHED ① IS FOR 2" NCT X O-RING (SEE DETAIL "A"). FOR WASTE PIPING OTHER THAN 2" NCT, SEE DRAWING #9985-100-002.
- FLUSH VALVE INLET 1" NPT ②.
- FIXTURE FLUSHING INLET 1-1/2" NPT ③.

B- FOR DURA-WARE FLUSH VALVE ACCESS PANELS ④, FOR CONCEALED FLUSH VALVE INSTALLATION REFER TO DRAWING #9908-399-001.

C- INSTALL WALL ANCHORS (BY OTHERS) FOR 1/4"-20 X 2" LONG SCREWS ⑤.

D- SOLDER ADAPTER ① TO 2" NCT WASTE LINE (BY OTHERS). IF STUB-OUT ⑥ IS OTHER THAN 2" NCT, MAKE THE CONNECTION AS NECESSARY.

E- LUBRICATE O-RING ⑦ & SLIDE ONTO ADAPTER ①. SLIDE FIXTURE ONTO O-RING WASTE ADAPTER ①. ATTACH FIXTURE TO WALL USING (4) MOUNTING SCREWS ⑤ PROVIDED.

F- CONNECT FLUSH VALVE ⑧ PER MANUFACTURERS' RECOMMENDATIONS.

ACORN ENGINEERING COMPANY
P.O. BOX 3527 Industry, CA 91744
15125 Proctor Ave Industry, CA 91746
(626) 336-4561 FAX (626) 961-2200

TITLE **FRONT MOUNT - BLOWOUT JET URINAL CAT.#2160**

MANUFACTURE DATE

**FEB. 1975
TO PRESENT**

DATE ISSUED

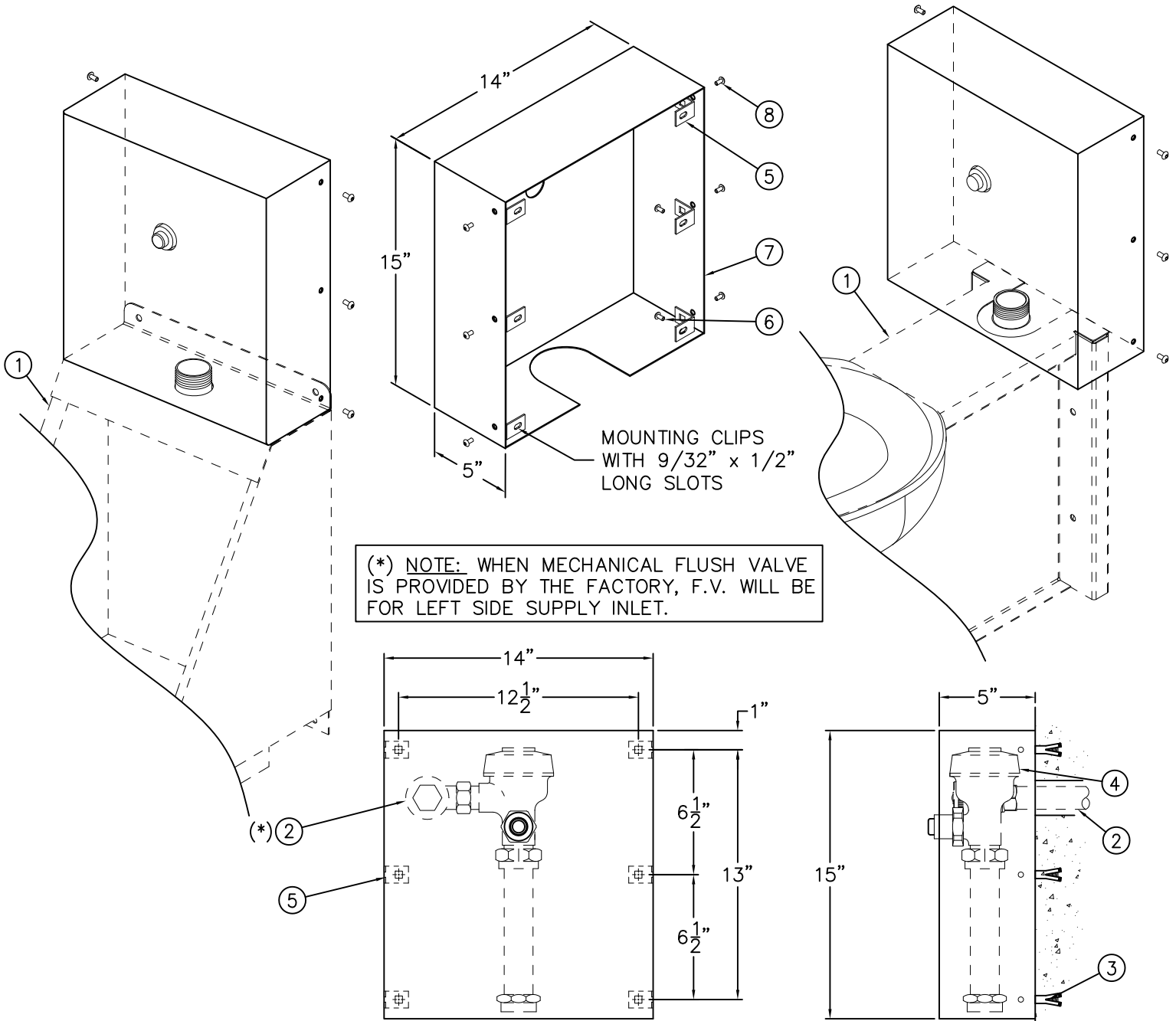
06/01/90

DATE REVISED

02/10/12

DRAWING NUMBER

9908-300-001



(* NOTE: WHEN MECHANICAL FLUSH VALVE IS PROVIDED BY THE FACTORY, F.V. WILL BE FOR LEFT SIDE SUPPLY INLET.

Front View of -FVC

Side View of -FVC

INSTALLATION INSTRUCTIONS:

- A- MOUNT FIXTURE ① TO WALL.
- B- ROUGH-IN FOR FLUSH VALVE SUPPLY ② REFER TO FIXTURE INSTALLATION INSTRUCTIONS.
- C- LOCATE AND INSTALL WALL ANCHORS (BY OTHERS) ③.
- D- INSTALL FLUSH VALVE ④ TO FIXTURE ①.
- E- ATTACH MOUNTING CLIPS ⑤ TO WALL USING MOUNTING SCREWS ⑥ (BY OTHERS).
- F- ATTACH FLUSH VALVE COVER ⑦ TO MOUNTING CLIPS ⑤ USING #10-32 SCREWS ⑧ PROVIDED.

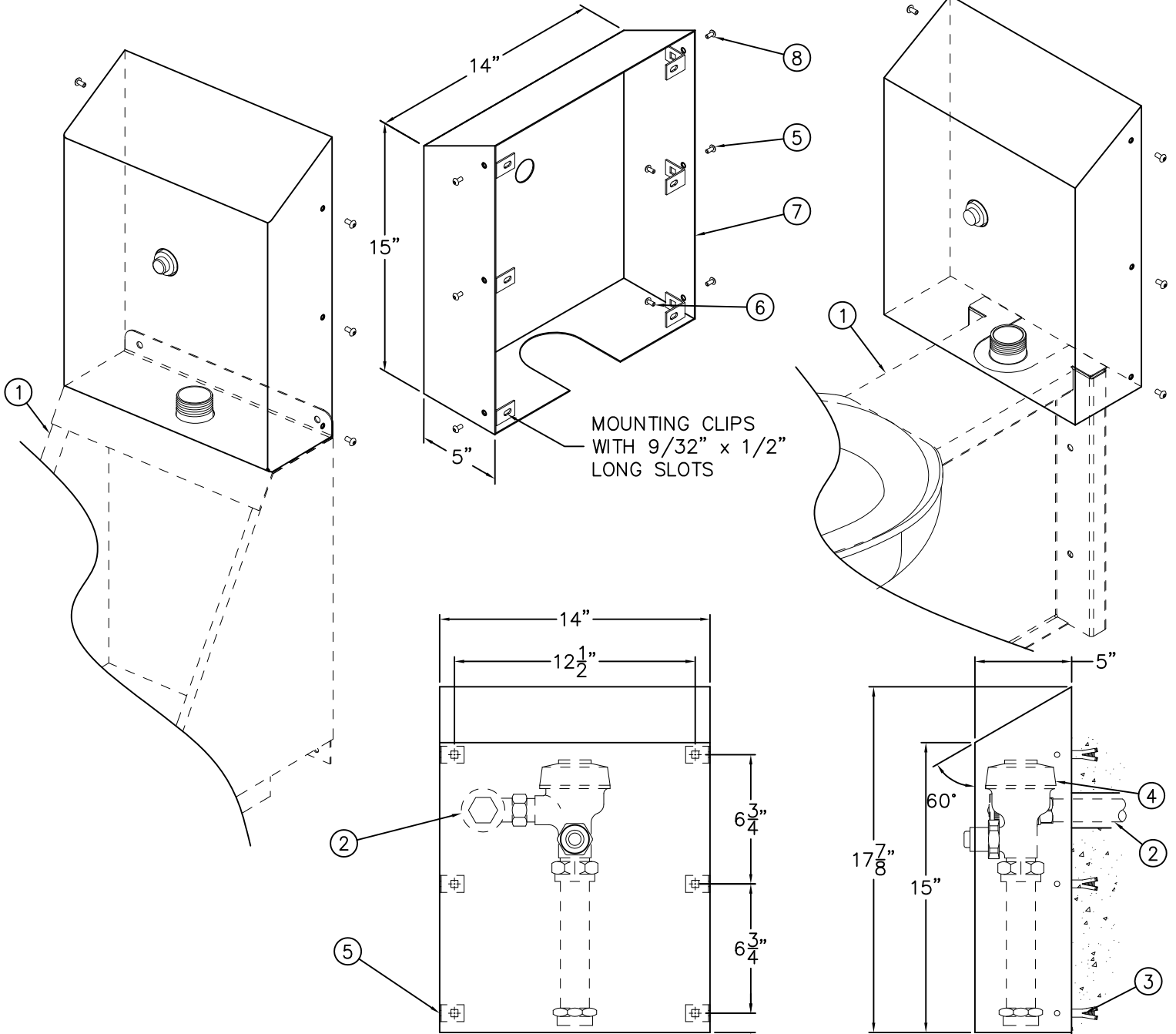
Reference Drawings	
Security Screws	9951-005-001
Tinnerman Nuts	9951-007-001

NOTE: FIXTURES SHOWN FOR REFERENCE ONLY.



ACORN ENGINEERING COMPANY
 P.O. BOX 3527 Industry, CA 91744
 15125 Proctor Ave Industry, CA 91746
 (626) 336-4561 FAX (626) 961-2200

TITLE -FVC FLUSH VALVE COVER #2802		
MANUFACTURE DATE FEBRUARY 1975 TO PRESENT	DATE ISSUED 04/17/98	DRAWING NUMBER 9908-395-001
	DATE REVISED 12/21/16 D	



INSTALLATION INSTRUCTIONS:

- A- MOUNT FIXTURE ① TO WALL.
- B- ROUGH-IN FOR FLUSH VALVE SUPPLY ② REFER TO FIXTURE INSTALLATION INSTRUCTIONS.
- C- LOCATE AND INSTALL WALL ANCHORS (BY OTHERS) ③.
- D- INSTALL FLUSH VALVE ④ TO FIXTURE ①.
- E- ATTACH MOUNTING CLIPS ⑤ TO WALL USING MOUNTING SCREWS ⑥ (BY OTHERS).
- F- ATTACH FLUSH VALVE COVER ⑦ TO MOUNTING CLIPS ⑤ USING #10-32 SCREWS ⑧ PROVIDED.

Front View of -FVC-SLPT

Side View of -FVC-SLPT

Reference Drawings	
Security Screws	9951-005-001
Tinnerman Nuts	9951-007-001

NOTE: FIXTURES SHOWN FOR REFERENCE ONLY.

<p>ACORN ENGINEERING COMPANY P.O. BOX 3527 Industry, CA 91744 15125 Proctor Ave Industry, CA 91746 (626) 336-4561 FAX (626) 961-2200</p>	<p>TITLE -FVC-SLPT FLUSH VALVE COVER WITH SLOPING TOP #2802</p>	
	<p>MANUFACTURE DATE FEBRUARY 1975 TO PRESENT</p>	<p>DATE ISSUED 03/07/11</p> <p>DATE REVISED 04/15/13 E</p>