



Dura-Ware® 2173 Series

Multi-Person Washout Urinal



2174-T-1-FV

2174-W-1-FV-2898

Fixture May Show Some Available Options

Please visit www.acorneng.com for most current specifications.

Multi-Person Washout Urinal

Fixture is arranged to be installed on finished wall and serviced from the front side. Fixture is fabricated from 14 gage, type 304 stainless steel and is seamless welded construction. Exterior has a satin finish. Interior has a matte finish. Fixture has a back wall washdown, and is optionally available with a continuous flushing rim that washes all four walls. Corners are coved to facilitate cleaning. P-trap is fully enclosed. Back of fixture is sound-deadened with fire resistant material.

Urinal is washout type with back wall washdown. Bottom of urinal is sloped to a high capacity stainless steel beehive dome strainer secured with vandal resistant screws. Fixture includes a 3/4" NPTE flushing inlet connection, O-ring x 2" NCT waste outlet connection and P-trap with a minimum of 2" seal. Note: Flushing inlet connection is 1-1/2" NPT male when models 2176 and 2178 are specified with option -CFR Continuous Flushing Rim.

Exposed Mounting Screws are furnished. No concealed wall fasteners or anchor shields are furnished.

GUIDE SPECIFICATION

Provide and install Acorn Dura-Ware Multi-Person Washout Urinal (specify model number and options). Fixture shall be fabricated from 14 gage, type 304 stainless steel and shall have fully enclosed trap. All welds shall be continuous and exterior surfaces shall have a satin finish. Fixture shall be back wall washdown type, and shall have coved corners to facilitate cleaning. P-trap shall be fully enclosed. Bottom shall be sloped to a high capacity stainless steel beehive dome strainer. Fixture shall be furnished with exposed mounting screws.

Dura-Ware® 2173: Multi-Person Washout Urinal



WALL THICKNESS AND TYPE (Must Specify)

Thickness: _____ Type: Concrete Block Steel

MODEL NUMBER AND OPTIONS SELECTION

BASE MODEL NUMBER

- 2173 3' Multi-Person Washout Urinal
- 2174 4' Multi-Person Washout Urinal
- 2175 5' Multi-Person Washout Urinal
- 2176 6' Multi-Person Washout Urinal
- 2178 8' Multi-Person Washout Urinal

SUPPLY (Must Specify)

- T Top (Exposed)
- W Wall (Concealed)

FIXTURE MOUNTING AND WASTE

- 1 Off-Floor, Wall Outlet

FLUSH VALVE GPF's (Must Specify)

- 1.0 GPF (2173, 2174 & 2175)
- 1.5 GPF (2173, 2174, 2175, 2176 & 2178)
- 3.5 GPF

- Required for 2176-CFR & 2178-CFR
- N/A with 2173, 2174 or 2175

FLUSH VALVE OPTIONS (Must Specify)

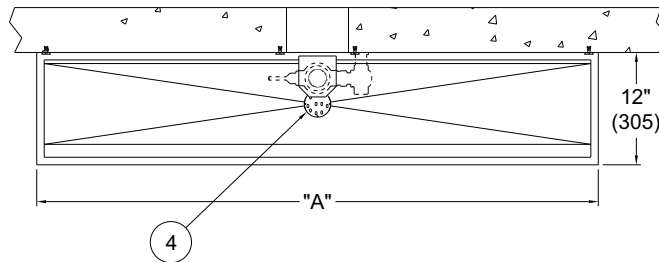
Refer to Acorn Dura-Ware Supplementary for Box Cover(s) and Access Panel(s)

- FV Flush Valve, Mechanical
- FVBO Flush Valve by Others
- FVH Flush Valve, Hydraulic (N/A for Top Supply)
- FVL Flush Valve w/ADA Lever Handle (Concealed F.V.)
- MVCFV Time-Trol Flush Valve (N/A for Top Supply)

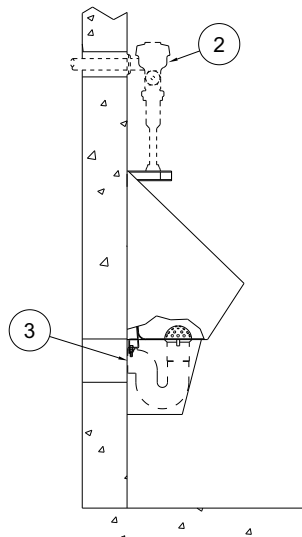
PRODUCT OPTIONS

- CFR Continuous Flushing Rim
(3.5 GPF Flush Valve Req'd for 2176 & 2178)
- EG Enviro-Glaze Color, Specify: _____
- FVT Flush Valve Thru Wall Connector
(N/A For Top Supply)
- TF Transformer, 120VAC to 24VAC (-MVCFV Option)
- WA2 Waste Adapter to 2" NPT Male
- WA3 Waste Adapter to 2" NPT Female
- WA4 Waste Adapter to 2" No-Hub

Please visit www.acorneng.com for most current specifications.



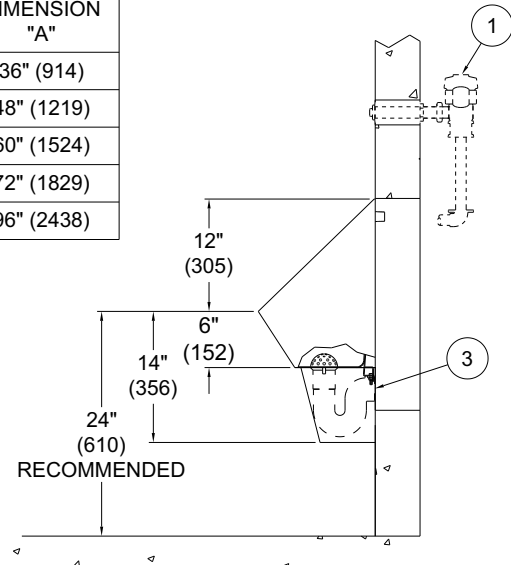
MODEL NUMBERS	DIMENSION "A"
2173	36" (914)
2174	48" (1219)
2175	60" (1524)
2176	72" (1829)
2178	96" (2438)



2173-T-1

NOTES:

1. Optional -FV Flush Valve - Wall Supply
2. Optional -FV Flush Valve - Top Supply
3. Urinal Waste Outlet
4. Beehive Strainer
5. Wall Mounting Hardware (By Others)



2173-W-1

WARNING: Cancer and Reproductive Harm - www.P65Warnings.ca.gov

<p>Important: Installation instructions and current rough-in are furnished with each fixture. Do not rough in without certified dimensions. Dimensions are subject to manufacturer's tolerance of plus or minus 1/4" and change without notice. Acorn assumes no responsibility for use of void or superseded data. © Copyright 2009 Acorn Engineering Company</p>	
<p style="text-align: center;">Selection Summary</p> <p>Model No. & Option _____</p> <p>Quantity _____</p>	<p style="text-align: center;">Approved for Manufacturing</p> <p>Company _____ Title _____</p> <p>Signature _____ Date _____</p>