



Replace-Ware® 3315 Series 15" Lav-Toilet Comby - Replacement



3315-CT-2-BP-04

3315-AL-2-BP-04-PH

Fixture May Show Some Available Options



Please visit www.acorneng.com for most current specifications.

15" Lav-Toilet Comby - Replacement

Acorn 3315 Lav-Toilet Comby is designed to replace a variety of existing aluminum combination fixtures, including but not limited to the following Aluminum Plumbing Fixture Corp. (Super Secur) model numbers. For replacement of existing stainless steel combinations, contact the Acorn factory.

OFF-FLOOR, WALL OUTLET: A-350, M-350, SA-350, SA-350-DW.

ON-FLOOR, WALL OUTLET: A-150, A-154, A-157, M-150, M-154, SA-150, SA-150-DW.

ON-FLOOR, FLOOR OUTLET: A-150F, A-151F, A-152F, M-150F, M-151F, M-152F.

Fixture is arranged to be installed on finished wall and serviced from an accessible pipe chase.

Cabinet and Toilet Bowl are fabricated from 14 gage, type 304 stainless steel and is seamless welded construction with a satin finish. The inside of the toilet bowl has a matte finish. Cabinet interior is sound-deadened with fire-resistant material. There are no accessible voids or crevices where contraband can be concealed.

Lavatory Bowl. Standard Multi-Sided Bowl is 12-3/4" x 8-1/4" x 5" deep. Standard elbow waste outlet is 1-1/4" NPT female.

Lavatory Valve, when specified, is arranged to support the fixture through the wall and serviceable from the chase. Valve is an Air-Control pneumatically operated, pushbutton valve using atmospheric air. Pushbutton is vandal-resistant and requires less than 5 pounds to activate valve. Valve is direct acting, non-metering type and is optionally available as metering with non-hold open feature. Metering valve timing is adjustable from 5 to 60 seconds. Valve includes a 0.5 GPM flow control and can be remotely located up to 10 feet from the operating pushbutton. Valve and bubbler conform with lead free requirements for NSF61, section 9 and CHSC 116875.

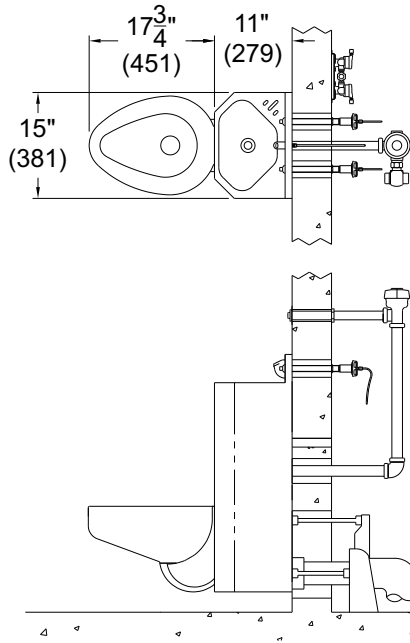
Toilet is blowout jet type with elongated bowl manufactured to ASME A112.19.3 and CSA B45.4 standards. Toilet requires a minimum of 25 PSI flow pressure and uses a minimum water consumption of 1.28 GPF. Trap has a minimum 3-1/2" seal and will pass a 2-1/8" ball. Toilet waste outlet is a gasketed waste.

Regularly Furnished items include a fast drain, integral raised rib soap holder, and 1-1/4" elbow waste outlet.

GUIDE SPECIFICATION

Provide and install Acorn Replace-Ware 15" wide Lav-Toilet Comby (specify model number and options). Cabinet and toilet bowl shall be fabricated from 14 gage, type 304 stainless steel. Construction shall be seamless welded and exposed surfaces shall have a satin finish. Countertop shall have an air-circulating, raised rib soap holder. Toilet shall be concealed blowout jet type with an elongated bowl, a self-draining flushing rim and an integral contoured seat. Toilet shall be ASME A112.19.3 and CSA B45.4 compliant. Toilet requires a minimum of 25 PSI flow pressure and uses a minimum water consumption of 1.28 GPF. Toilet trap shall have a minimum 3-1/2" seal that shall pass a 2-1/8" diameter ball and be fully enclosed. Cabinet interior is sound-deadened with fire-resistant material. No fasteners are provided.

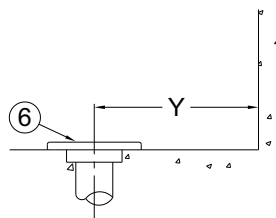
Replace-Ware®: 3315 15" Lav-Toilet Comby - Replacement



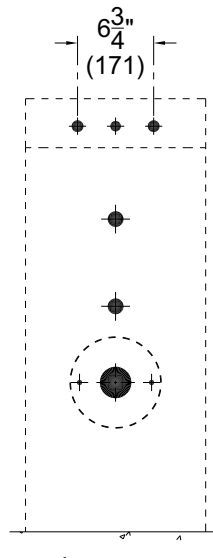
3315-CT-1-BP-4

WALL OPENINGS
(Required for all units)

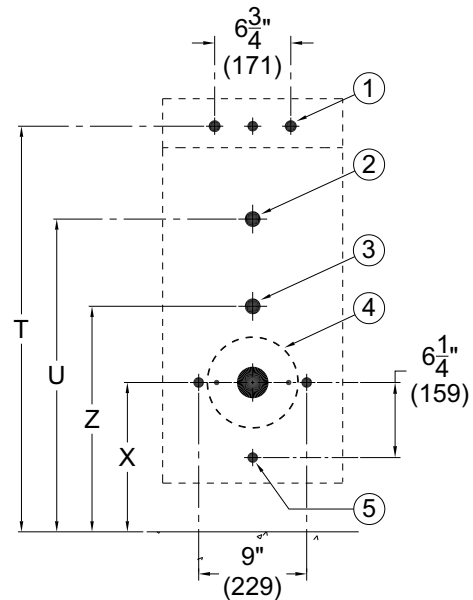
T	
U	
X	
Z	
Y	



3315-CT-3
FLOOR WASTE OUTLET
SIDE VIEW



3315-CT-2
ROUGH-IN VIEW
(FIXTURE SIDE)



3315-CT-1
ROUGH-IN VIEW
(FIXTURE SIDE)

NOTES:

- 1. Pushbutton Valve Assembly Location (anchors top of fixture)
- 2. Lavy Waste Outlet Location
- 3. Flushing Inlet Location
- 4. Gasketed Waste Outlet
- 5. Carrier Bolt Pattern (-1 Models)
- 6. -3 On-Floor, Floor Outlet Detail

Replace-Ware®: 3315 15" Lav-Toilet Comby - Replacement



WALL THICKNESS AND TYPE (Must Specify)

Thickness: _____ Type: Concrete Block Steel

MODEL AND OPTIONS SELECTION:

BASE MODEL NUMBER

-3315 15" Lav-Toilet Comby-Replacement

TOILET ORIENTATION (Must Specify)

- AL Angled Left
- AR Angled Right
- CT Centered Toilet

FIXTURE MOUNTING AND WASTE (Must Specify)

- 1 Off-Floor, Wall Outlet
- 2 On-Floor, Wall Outlet
- 3 On-Floor, Floor Outlet

BUBBLER SELECTION (Must Specify)

- BC Bubbler, Code
- BP Bubbler, Penal
- BPH Hemispherical Penal Bubbler
- LF Lav-Filler

VALVE SELECTION (Must Specify)

Air-Control (Pneumatic)

- 03 Single Temp, Non-Metering
- 03-M Single Temp, Metering
- 04 Hot & Cold, Non-Metering
- 04-M Hot & Cold, Metering
- 04-MH Hot & Cold, Metering Hot Side Only

Master-Trol® (Electronic)

- EVS1 Single Temp
- EVS2 Hot & Cold

Master-Trol® PLUS (Electronic)

- MTP1 Single Temp
- MTP2 Hot & Cold

-MTP VALVE OPTION

- PFB Power Failure Bypass
(Provides drinking water in the event of power failure)

Time-Trol® (Electronic)

- MVC1 Single Temp
- MVC1-BAT Single Temp Battery Powered
(Batteries Not Included)
- MVC2 Hot & Cold
- MVC2-BAT Hot & Cold Battery Powered
(Batteries Not Included)

Programmable (Electronic) w/9VDC Plug-In Transformer

- PPZ1 Single Temp Programmable Piezo Button
- PPZ2 Hot & Cold Programmable Piezo Button

Valve By Others

- 9 Punched for Valve by Others

VALVE OPTIONS

- BRS Brass Body Valve
- CI Cycle Interrupt for Time-Trol Valves
- MA2 Manifolder, 2-Stack
- MA3 Manifolder, 3-Stack (N/A with -PFB option)
- MA4 Manifolder, 4-Stack (N/A with -PFB option)
- PBH Hemispherical Pushbutton
- TF Transformer, 120VAC to 24VAC
(-MVC option only)

FLUSH VALVE GPF's (Must Specify)

- 1.28 GPF (HET)
- 1.6 GPF (Not Available in California)
- 3.5 GPF (Not Available in California)

FLUSH VALVE OPTIONS (Must Specify)

- EVSFV Master-Trol® Electronic Flush Valve
- FV Flush Valve, Mechanical
- FVBO Flush Valve by Others
- FVH Flush Valve, Hydraulic
- MTPFV Master-Trol® PLUS Electronic Flush Valve
- MVCFV Time-Trol® Electronic Flush Valve

CABINET OPTIONS

- FMT Fixture Mounted Trim
- IS Integral Shelf
- PH Paper Holder L R C
- TB Toothbrush Holder Left Right
- TG 12 Gage Cabinet
- TH Towel Hook Left Right
- VG1 Vent Grille, 5-3/4" x 8-3/4" Left Right
- VG2 Vent Grille, 8-3/4" x 13" (Bottom Only)(-1 Only)

LAVATORY WASTE OPTIONS

- CW Combined Waste
- LW1 Lavy Thru-Wall Extension with P-Trap
- LWE Lavy Waste Extension (3" Standard)
Specify Length Beyond Fixture: _____
- OF Lavatory Overflow
- OS Outlet Size 1-1/2" NPT Lavy Waste in Lieu of Standard
1-1/4" NPT
- PT P-Trap Waste

TOILET OPTIONS

- CO1 Cleanout w/ 2-3/8" OD O-Ring Connection to No-Hub
4" (Plain End Only, Not Applicable with GW or -3 Floor
Outlet)
- CO1-3 Cleanout w/ 2-3/8" OD O-Ring Connection to No-Hub
3" (Plain End Only, Not Applicable with GW or -3 Floor
Outlet)
- COH Cleanout Hook Assembly
- FT Flood-Trol
- FTA Flood-Trol, Auto-Reset
- FTE Flood-Trol, Electronic
- FVT Flush Valve Thru Wall Connector
- HPS High Polish Seat #7 Finish
- HS Hinged Seat
- PC Pinned Cleanout Plug (For -CO1 Options above)
- PE Plain End Waste Connection
- SPS Ligature Resistant Skirt
- TSC Toilet Shipping Cover
- TWE Toilet Waste Extension (3" Standard)
Specify Length Beyond Fixture: _____

PRODUCT OPTIONS

- EG Enviro-Glaze Color Specify: _____
Toilet Interior & Exterior
- EGE Enviro-Glaze Color Specify: _____
Toilet Exterior Only

Please visit www.acorneng.com for most current specifications.

⚠ WARNING: Cancer and Reproductive Harm - www.P65Warnings.ca.gov

<p>Important: Installation instructions and current rough-in are furnished with each fixture. Do not rough in without certified dimensions. Dimensions are subject to manufacturer's tolerance of plus or minus 1/4" and change without notice. Acorn assumes no responsibility for use of void or superseded data. © Copyright 2009 Acorn Engineering Company</p>	
<p style="text-align: center;">Selection Summary</p> <p>Model No. & Option _____</p> <p>Quantity _____</p>	<p style="text-align: center;">Approved for Manufacturing</p> <p>Company _____ Title _____</p> <p>Signature _____ Date _____</p>