



## Replace-Ware® 3318 Series 18" Lav-Toilet Comby - Replacement



3318-CT-2-BP-04-PH

3318-AL-2-BP-04-PH

Fixture May Show Some Available Options



Please visit [www.acorneng.com](http://www.acorneng.com) for most current specifications.

### 18" Lav-Toilet Comby - Replacement

**Acorn 3318 Lav-Toilet Comby** is designed to replace a variety of existing aluminum combination fixtures, including but not limited to the following Aluminum Plumbing Fixture Corp. (Super Secur) model numbers. For replacement of existing stainless steel combinations, contact the Acorn factory.

**OFF-FLOOR, WALL OUTLET:** A-350, M-350, SA-350, SA-350-DW.

**ON-FLOOR, WALL OUTLET:** A-150, A-154, A-157, M-150, M-154, SA-150, SA-150-DW.

**ON-FLOOR, FLOOR OUTLET:** A-150F, A-151F, A-152F, M-150F, M-151F, M-152F.

**Fixture** is arranged to be installed on finished wall and serviced from an accessible pipe chase.

**Cabinet and Toilet Bowl** are fabricated from 14 gage, type 304 stainless steel and is seamless welded construction with a satin finish. The inside of the toilet bowl has a matte finish. Cabinet interior is sound-deadened with fire-resistant material. There are no accessible voids or crevices where contraband can be concealed.

**Lavatory Bowl** Standard Oval Bowl is 14-3/4" x 9-1/2" x 5" deep. Standard elbow waste outlet is 1-1/4" NPT female.

**Lavatory Valve** when specified, is arranged to support the fixture through the wall and serviceable from the chase. Valve is an Air-Control pneumatically operated, pushbutton valve using atmospheric air. Pushbutton is vandal-resistant and requires less than 5 pounds to activate valve. Valve is direct acting, non-metering type and is optionally available as metering with non-hold open feature. Metering valve timing is adjustable from 5 to 60 seconds. Valve includes a 0.5 GPM flow control and can be remotely located up to 10 feet from the operating pushbutton. Valve and bubbler conform with lead free requirements for NSF61, section 9 and CHSC 116875.

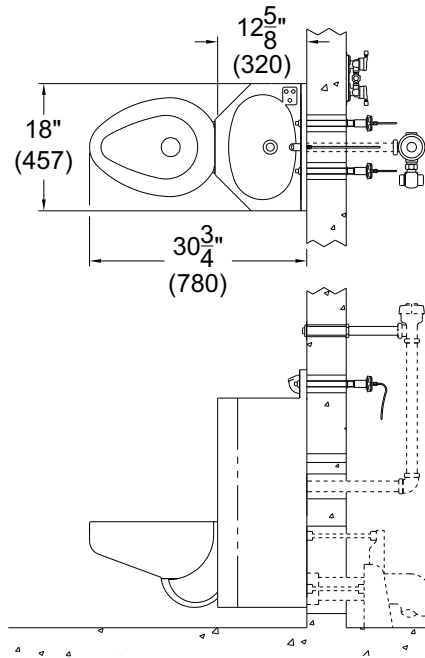
**Toilet** is blowout jet type with elongated bowl manufactured to ASME A112.19.3 and CSA B45.4 standards. Toilet requires a minimum of 25 PSI flow pressure and uses a minimum water consumption of 1.28 GPF. Trap has a minimum 3-1/2" seal and will pass a 2-1/8" ball. Toilet waste outlet is a gasketed waste.

**Regularly Furnished** items include a fast drain, integral self-draining, air-circulating soap dish, and 1-1/4" elbow waste outlet.

#### GUIDE SPECIFICATION

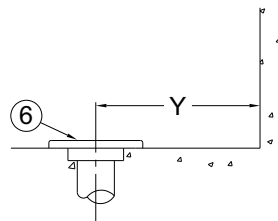
Provide and install Acorn Replace-Ware 18" wide Lav-Toilet Comby (specify model number and options). Cabinet and toilet bowl shall be fabricated from 14 gage, type 304 stainless steel. Construction shall be seamless welded and exposed surfaces shall have a satin finish. Countertop shall have an air-circulating, self-draining soap dish. Toilet shall be concealed blowout jet type with an elongated bowl, a self-draining flushing rim and an integral contoured seat. Toilet shall be ASME A112.19.3 and CSA B45.4 compliant. Toilet requires a minimum of 25 PSI flow pressure and uses a minimum water consumption of 1.28 GPF. Toilet trap shall have a minimum 3-1/2" seal that shall pass a 2-1/8" diameter ball and be fully enclosed. Cabinet interior is sound-deadened with fire-resistant material. No fasteners are provided.

# Replace-Ware®: 3318 18" Lav-Toilet Comby - Replacement

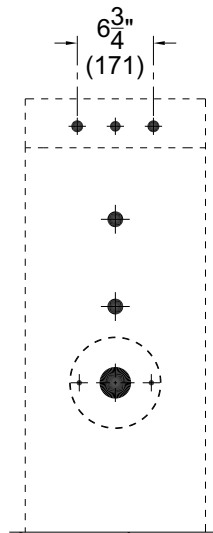


3318-CT-1-BP-4

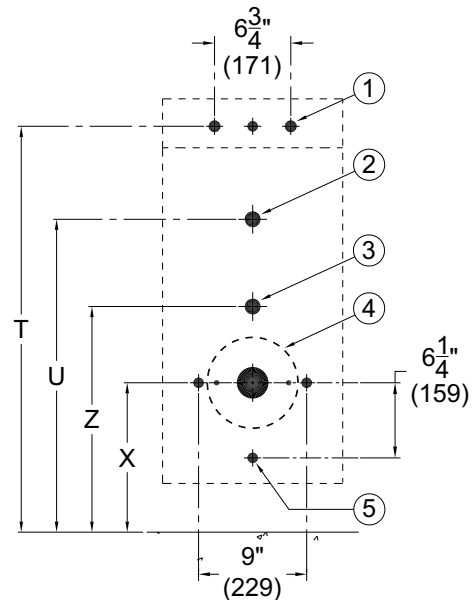
WALL OPENINGS (Required for all units)	
T	
U	
X	
Z	
Y	



3318-CT-3  
FLOOR WASTE OUTLET  
SIDE VIEW



3318-CT-2  
ROUGH-IN VIEW  
(FIXTURE SIDE)



3318-CT-1  
ROUGH-IN VIEW  
(FIXTURE SIDE)

**NOTES:**

- 1. Pushbutton Valve Assembly Location (anchors top of fixture)
- 2. Lavy Waste Outlet Location
- 3. Flushing Inlet Location
- 4. Gasketed Waste Outlet
- 5. Carrier Bolt Pattern (-1 Models)
- 6. -3 On-Floor, Floor Outlet Detail



# Replace-Ware®: 3318 18" Lav-Toilet Comby - Replacement

**WALL THICKNESS AND TYPE (Must Specify)**

Thickness: \_\_\_\_\_ Type:  Concrete  Block  Steel

**MODEL AND OPTIONS SELECTION:**

**BASE MODEL NUMBER**

-3318 18" Lav-Toilet Comby-Replacement

**TOILET ORIENTATION (Must Specify)**

- AL Angled Left
- AR Angled Right
- CT Centered Toilet

**FIXTURE MOUNTING AND WASTE (Must Specify)**

- 1 Off-Floor, Wall Outlet
- 2 On-Floor, Wall Outlet
- 3 On-Floor, Floor Outlet

**BUBBLER SELECTION (Must Specify)**

- BC Bubbler, Code
- BP Bubbler, Penal
- BPH Hemispherical Penal Bubbler
- LF Lav-Filler

**VALVE SELECTION (Must Specify)**

**VALVE SELECTION (Must Specify)**

**Air-Control (Pneumatic)**

- 03 Single Temp, Non-Metering
- 03-M Single Temp, Metering
- 04 Hot & Cold, Non-Metering
- 04-M Hot & Cold, Metering
- 04-MH Hot & Cold, Metering Hot Side Only

**Master-Trol® (Electronic)**

- EVS1 Single Temp
- EVS2 Hot & Cold

**Master-Trol® PLUS (Electronic)**

- MTP1 Single Temp
- MTP2 Hot & Cold

**-MTP VALVE OPTION**

- PFB Power Failure Bypass  
(Provides drinking water in the event of power failure)

**Time-Trol® (Electronic)**

- MVC1 Single Temp
- MVC1-BAT Single Temp Battery Powered  
(Batteries Not Included)
- MVC2 Hot & Cold
- MVC2-BAT Hot & Cold Battery Powered  
(Batteries Not Included)

**Programmable (Electronic) w/9VDC Plug-In Transformer**

- PPZ1 Single Temp Programmable Piezo Button
- PPZ2 Hot & Cold Programmable Piezo Button

**Valve By Others**

- 9 Punched for Valve by Others

**VALVE OPTIONS**

- BRS Brass Body Valve
- CI Cycle Interrupt for Time-Trol Valves
- MA2 Manifolder, 2-Stack
- MA3 Manifolder, 3-Stack (N/A with -PFB option)
- MA4 Manifolder, 4-Stack (N/A with -PFB option)
- PBH Hemispherical Pushbutton
- TF Transformer, 120VAC to 24VAC  
(-MVC option only)

**FLUSH VALVE GPF's (Must Specify)**

- 1.28 GPF (HET)
- 1.6 GPF (Not Available in California)
- 3.5 GPF (Not Available in California)

**FLUSH VALVE OPTIONS (Must Specify)**

- EVSFV Master-Trol® Electronic Flush Valve
- FV Flush Valve, Mechanical
- FVBO Flush Valve by Others
- FVH Flush Valve, Hydraulic
- MTPFV Master-Trol® PLUS Electronic Flush Valve
- MVCFV Time-Trol® Electronic Flush Valve

**CABINET OPTIONS**

- FMT Fixture Mounted Trim
- IS Integral Shelf
- PH Paper Holder  L  R  C
- TB Toothbrush Holder  Left  Right
- TG 12 Gage Cabinet
- TH Towel Hook  Left  Right
- VG1 Vent Grille, 5-3/4" x 8-3/4"  Left  Right
- VG2 Vent Grille, 8-3/4" x 13" (Bottom Only)(-1 Only)

**LAVATORY WASTE OPTIONS**

- CW Combined Waste
- LW1 Lavy Thru-Wall Extension with P-Trap
- LWE Lavy Waste Extension (3" Standard)  
Specify Length Beyond Fixture: \_\_\_\_\_
- OF Lavatory Overflow
- OS Outlet Size 1-1/2" NPT Lavy Waste in Lieu of Standard  
1-1/4" NPT
- PT P-Trap Waste

**TOILET OPTIONS**

- CO1 Cleanout w/ 2-3/8" OD O-Ring Connection to No-Hub  
4" (Plain End Only, Not Applicable with GW or -3 Floor  
Outlet)
- CO1-3 Cleanout w/ 2-3/8" OD O-Ring Connection to No-Hub  
3" (Plain End Only, Not Applicable with GW or -3 Floor  
Outlet)
- COH Cleanout Hook Assembly
- FT Flood-Trol
- FTA Flood-Trol, Auto-Reset
- FTE Flood-Trol, Electronic
- FVT Flush Valve Thru Wall Connector
- HPS High Polish Seat #7 Finish
- HS Hinged Seat
- PC Pinned Cleanout Plug (For -CO1 Options above)
- PE Plain End Waste Connection
- SPS Ligature Resistant Skirt
- TSC Toilet Shipping Cover
- TWE Toilet Waste Extension (3" Standard)  
Specify Length Beyond Fixture: \_\_\_\_\_

**PRODUCT OPTIONS**

- EG Enviro-Glaze Color Specify: \_\_\_\_\_  
Toilet Interior & Exterior
- EGE Enviro-Glaze Color Specify: \_\_\_\_\_  
Toilet Exterior Only

Please visit [www.acorneng.com](http://www.acorneng.com) for most current specifications.

**⚠ WARNING: Cancer and Reproductive Harm - www.P65Warnings.ca.gov**

<p><b>Important:</b> Installation instructions and current rough-in are furnished with each fixture. Do not rough in without certified dimensions. Dimensions are subject to manufacturer's tolerance of plus or minus 1/4" and change without notice. Acorn assumes no responsibility for use of void or superseded data. © Copyright 2009 Acorn Engineering Company</p>	
<p style="text-align: center;">Selection Summary</p> <p>Model No. &amp; Option _____</p> <p>Quantity _____</p>	<p style="text-align: center;">Approved for Manufacturing</p> <p>Company _____ Title _____</p> <p>Signature _____ Date _____</p>