



## Replace-Ware® 3326 Series

18" Multi-Sided Lavatory with Oval Bowl - Replacement



3326-1-BP-04

Fixture May Show Some Available Options

Please visit [www.acorneng.com](http://www.acorneng.com) for most current specifications.

### 18" Multi-Sided Lavatory with Oval Bowl - Replacement

**Acorn 3326 Multi-Sided Lavatory with Oval Bowl** is designed to replace a variety of existing fixtures, including but not limited to, the following manufacturers model numbers:

**ALUMINUM PLUMBING FIXTURE CORP. (Super Secur):** Taylor A-50, Taylor M-50.

**AMERICAN STANDARD:** Prison 0420 & 0430.

**CRANE:** Parvus 1-600.

**ELJER:** Gowanda 051-3467.

**KOHLER:** Chardon K-2475.

**Fixture** is arranged to be installed on finished wall and serviced from an accessible pipe chase.

**Fixture** is fabricated from 14 gage, type 304 stainless steel and is seamless welded construction with a satin finish. Cabinet interior is sound-deadened with fire-resistant material. There are no accessible voids or crevices where contraband can be concealed.

**Lavatory Oval Bowl** is 14-3/4" x 9-1/2" x 5" deep. Standard elbow waste outlet is 1-1/4" NPT female.

**Lavatory Valve**, when specified, is arranged to support the fixture through the wall and serviced from the chase. Valve is an Air-Control pneumatically operated, pushbutton valve using atmospheric air. Pushbutton is vandal-resistant and requires less than 5 pounds to activate valve. Valve is direct acting, non-metering type and is optionally available as metering with non-hold open feature. Metering valve timing is adjustable from 5 to 60 seconds. Valve includes a 0.5 GPM flow control and can be remotely located up to 10 feet from the operating pushbutton. Optional valve and bubbler when selected conform with lead-free requirements for NSF61, Section 9, 1997 and CHSC 116875.

**Regularly Furnished** items include a fast drain, integral self-draining soap dish, and 1-1/4" elbow waste outlet.

#### GUIDE SPECIFICATION

Provide and install Acorn Replace-Ware 18" wide Multi-Sided Lavatory with Oval Bowl (specify model number and options). Fixture shall be fabricated from 14 gage, type 304 stainless steel. Construction shall be seamless welded and exposed surfaces shall have a satin finish. Countertop shall have an air-circulating self-draining soap dish. Cabinet interior is sound-deadened with fire-resistant material. No fasteners are provided.

# Replace-Ware®: 3326 18" Multi-Sided Lavatory With Oval Bowl - Replacement



## WALL THICKNESS AND TYPE (Must Specify)

Thickness: \_\_\_\_\_ Type:  Concrete  Block  Steel

## MODEL NUMBER AND OPTIONS SELECTION:

### BASE MODEL NUMBER

-3326 18" Multi-Sided Lavatory with Oval Bowl - Replacement

### FIXTURE MOUNTING AND WASTE (Must Specify)

-1 Off-Floor, Wall Outlet

### BUBBLER SELECTION (Must Specify)

-BC Bubbler, Code  
 -BP Bubbler, Penal  
 -BPH Bubbler, Hemispherical  
 -LF Lav-Filler

### VALVE SELECTION (Must Specify)

-03 Air-Control, Single Temp, Non-Metering  
 -03-M Air-Control, Single Temp, Metering  
 -04 Air-Control, H & C, Non-Metering  
 -04-M Air-Control, H & C, Metering  
 -9 Without Valves, Special Punching for: \_\_\_\_\_  
 -MA Manifolder Valve  2  3  4  
 -MH Metering, Hot Side Only

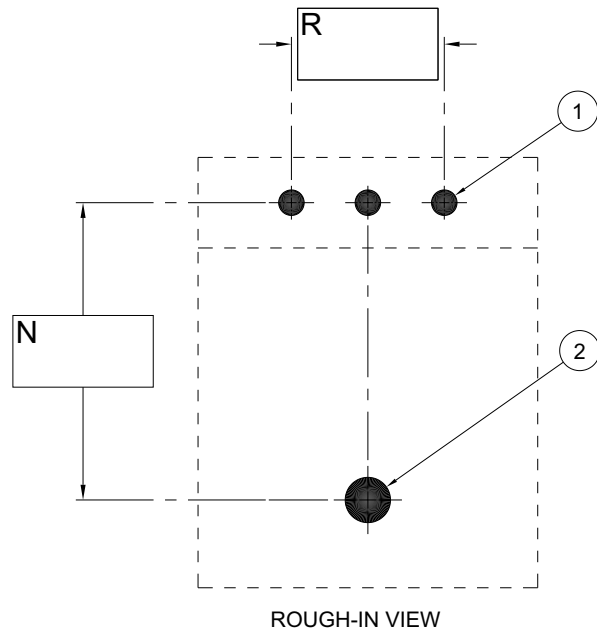
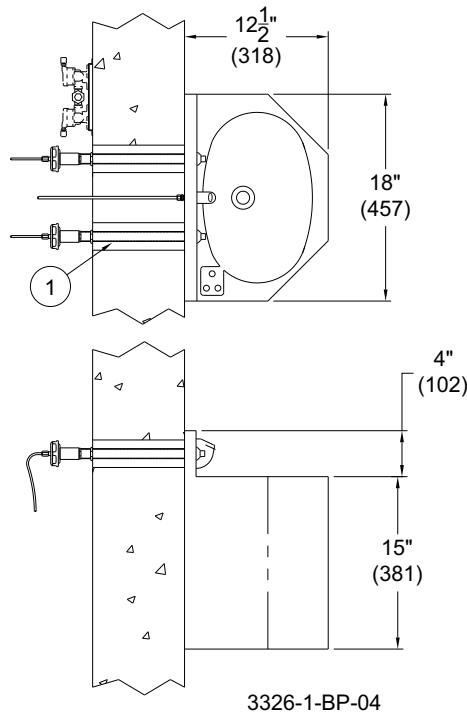
\*These valves are modified to provide fixture support.

## PRODUCT OPTIONS (Must Specify)

(See Penal-Ware® Model Numbers & Options Section)

-3395 Anchoring Assembly  
 -BRS Brass Body Valve  
 -EG Enviro-Glaze, Specify Color: \_\_\_\_\_  
 -IS Integral Shelf  
 -OF Lavy Overflow  
 -OS 1-1/2" Lavy Waste Outlet  
 -PBH Hemispherical Pushbutton(s)  
 -PT P-Trap Waste  
 -TB Toothbrush Holder  Left  Right  
 -TH Towel Hook  Single  Double  Left  Right

Please visit [www.acorneng.com](http://www.acorneng.com) for most current specifications.



### NOTES:

1. "R" DIMENSION: VALVE PUSHBUTTON / PUSHROD CENTERS; PUSHROD ASSEMBLY ANCHORS TOP OF FIXTURE TO WALL.
2. "N" DIMENSION: LAVY WASTE OUTLET LOCATION. 9" MINIMUM FOR ELBOW WASTE OUTLET AND 8" MINIMUM FOR OPTIONAL -PT P-TRAP OUTLET. MUST SPECIFY.

**WARNING:** Cancer and Reproductive Harm - [www.P65Warnings.ca.gov](http://www.P65Warnings.ca.gov)

<b>Important:</b> Installation instructions and current rough-in are furnished with each fixture. Do not rough in without certified dimensions. <small>Dimensions are subject to manufacturer's tolerance of plus or minus 1/4" and change without notice. Acorn assumes no responsibility for use of void or superseded data. © Copyright 2009 Acorn Engineering Company</small>	
<p style="text-align: center;">Selection Summary</p> <p>Model No. &amp; Option _____</p> <p>Quantity _____</p>	<p style="text-align: center;">Approved for Manufacturing</p> <p>Company _____ Title _____</p> <p>Signature _____ Date _____</p>