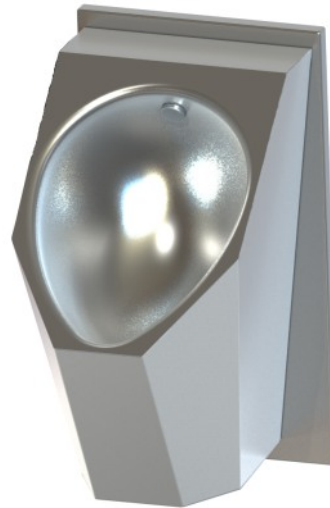




Replace-ware® 3346 Series

High Efficiency Urinal - Replacement - Model 1705 with Model 1709FG



3346-W-1

Fixture May Show Some Available Options

Please visit www.acorneng.com for most current specifications

High Efficiency Urinal - Replacement - ADA Compliant

3346 High Efficiency Urinal is designed to replace Acorn Penal-Ware® Model 1705 urinals.

Fixture is arranged to be installed onto a finished wall and serviced an accessible pipe chase. Fixture and rough-in adapter box are fabricated from 14 gage, type 304 stainless steel and are seamless welded construction. Exterior has a satin finish. Corners are coved to facilitate cleaning. P-trap is fully enclosed. Back of fixture is sound-deadened with fire-resistant material. Units conform with ANSI, UFAS and ADA requirements for accessibility. Compliance is subject to the interpretation and requirements of the local code authority.

Urinal is a high efficiency type requiring a 1/8 GPF (0.47 Liters per Flush) to 1/2 GPF (1.8 Liters per Flush) flush valve and supplied with 3/4" NPT flushing inlet connection and 1-1/2" O.D. plain end P-Trap.

GUIDE SPECIFICATION Provide and install Acorn Replace-Ware® High Efficiency Urinal (specify model number and options). Urinal shall be back wall washdown type. Fixture shall be 14 gage, type 304 stainless steel. Urinal shall have coved corners to facilitate cleaning. All welds shall be continuous and exterior surfaces shall have a satin finish. P-trap shall be fully enclosed. Waste connection shall be 1-1/2" O.D. Plain End. Fixture shall be furnished with concealed mounting hardware. Units to conform with ANSI, UFAS and ADA requirements for accessibility.

Replace-Ware® 3346 High Efficiency Urinal - Replacement



WALL THICKNESS AND TYPE

Thickness: _____ Type: Concrete Block Steel

MODEL NUMBER AND OPTIONS SELECTION

BASE MODEL NUMBER

-3346 High Efficiency Replacement Urinal

SUPPLY SELECTION (Must Specify)

-T Top (Exposed)

-W Wall (Concealed)

FIXTURE MOUNTING & WASTE

-1 Off-Floor, Wall Outlet

FLUSH VALVE GPF's (Must Specify)

-0.125 GPF

-0.5 GPF (Not Available in California)

FLUSH VALVE OPTIONS (Must Specify)

***NOTE: FOR FLUSH VALVE ACCESS PANEL OR COVER REFER TO ACORN OPTIONS MODEL #2898 (-W SUPPLY) OR # 2802 (-T SUPPLY).**

-EVSFV Master-Trol® Electronic Flush Valve (N/A for Top Supply)
 -EVSPFV Master-Trol® Electronic Flush Valve w/ Piezo Button (N/A for Top Supply)

-FV Flush Valve, Mechanical (N/A for ADA)

-FVBO Flush Valve by Others

-FVH Flush Valve, Hydraulic (N/A for Top Supply)

-FVL Flush Valve, Lever Handle (Wall Supply)

-MTPFV Master-Trol® PLUS Electronic Flush Valve (N/A for Top Supply)

-MTPPFV Master-Trol® PLUS Electronic Flush Valve w/ Piezo Button (N/A for Top Supply)

-MVCFV Time-Trol® Electronic Flush Valve (N/A for Top Supply)

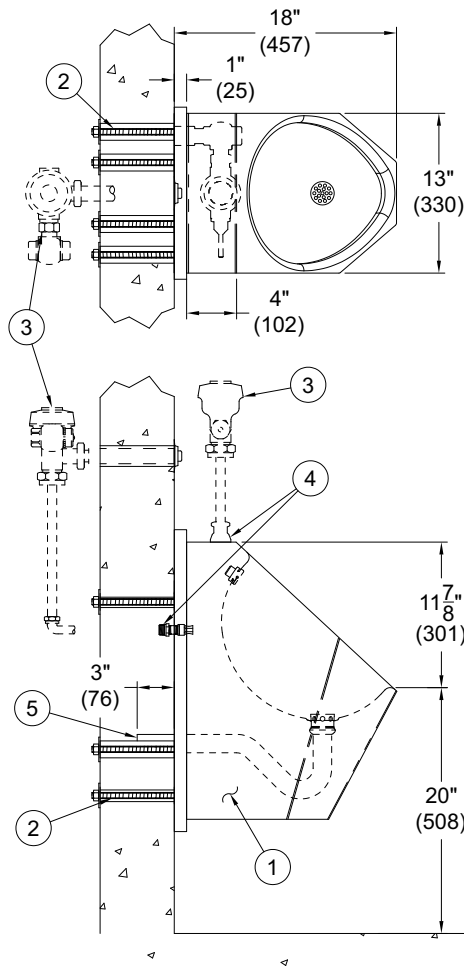
PRODUCT OPTIONS

-EG Enviro-Glaze (Interior and Exterior)

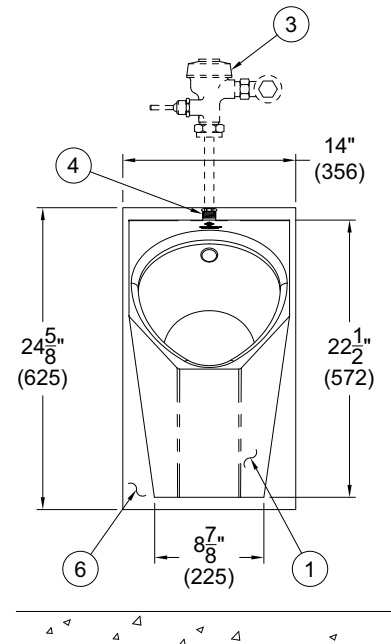
Color: _____

-TF Transformer, 120VAC to 24VAC (-MVCFV Option Only)

Please visit www.acorneng.com for most current specifications



- ① #1709FG 14 GAGE HIGH EFFICIENCY URINAL
- ② 1/2"-13 UNC MOUNTING HARDWARE PROVIDED
- ③ FLUSH VALVE, SHOWN FOR REFERENCE
- ④ 3/4" NPT MALE FLUSHING INLET CONNECTION
- ⑤ 1-1/2" O.D. PLAIN END P-TRAP WASTE
- ⑥ 14 GAGE ADAPTER PLATE



MODEL #3346-HEU-T/W

WARNING: Cancer and Reproductive Harm - www.P65Warnings.ca.gov

Important: Installation instructions and current rough-in are furnished with each fixture. Do not rough in without certified dimensions. Dimensions are subject to manufacturer's tolerance of plus or minus 1/4" and change without notice. Acorn assumes no responsibility for use of void or superseded data. © Copyright 2008 Acorn Engineering Company

<p style="text-align: center;">Selection Summary</p> <p>Model No. & Option _____</p> <p>Quantity _____</p>	<p style="text-align: center;">Approved for Manufacturing</p> <p>Company _____ Title _____</p> <p>Signature _____ Date _____</p>
--	--