



Wash-Ware® 3401 Series

Elliptical Models - 1, 2 or 3 Stations



3402-2-F

Fixture May Show Some Available Options

Please visit www.acorneng.com for most current specifications.

Elliptical Models - 1, 2 or 3 Stations

Bowl is 14 gage type 304 stainless steel with satin finish and has an integral backsplash and sprayhead. Heavy-duty S-clips securely anchor the backsplash to the wall. Sprayhead has self-draining, air-circulating soap holders.

Standard Housing is black vinylclad, galvanized steel. Base is heavy gage, type 304 stainless steel with satin finish.

-1 Off-Floor Fixtures are ADA Compliant. Off-floor sensor and hand-operated units conform to ANSI, UFAS and ADA requirements for accessibility. Compliance is subject to the interpretation and requirements of the local code authority.

Sectional Control is standard. One pushbutton or sensor actuates one station.

Hand Pushbuttons (suffix option -H) operate metering non-hold open Air-Control Valves and can be field set for flow ranging from 5 to 60 seconds.

Electronic Sensor Operation (suffix option -SO) includes individual solenoid valves activated by infrared sensors. A low voltage transformer is provided.

Foot Pushbuttons (suffix option -F) operate direct acting non-metering Air-Control Valves that permit the user to control the length of the washing cycle. This option not available with -1 Off-Floor fixture mounting and -ES series contoured base pedestal housing units. This option is not ADA compliant.

Spray Nozzles are vandal-resistant and provide a concentrated 0.5 GPM spray at each station.

Hot & Cold Supplies are blended in an ASSE 1070 compliant temperature/pressure balancing mixing valve with integral checks and strainers. A minimum of 30 PSI supply pressure is required.

Waste Connection is a 1-1/2" OD x 4" tailpiece.

GUIDE SPECIFICATION

Provide and install Acorn Washfountain (specify model number and options) factory pre-assembled, with individual sectional control. Bowl shall be 14 gage stainless steel and shall have an integral backsplash with vandal-resistant spray nozzle(s) and 0.5 GPM flow control(s). Provide self-draining, air-circulating soap holders on top of sprayhead. On-Floor and Off-Floor Models shall have backsplash and housing framework anchored to wall. The wall shall be structurally reinforced to support the fixture. Standard base On-Floor Models shall have additional floor anchoring. Provide an ASSE 1070 compliant temperature/pressure balancing mixing valve with integral checks and strainers in H & C supply and field set water temperature at 105 degree Fahrenheit. When hand operated non-hold open metering valves are specified, timing cycle shall be field set for approximately (specify) seconds. Off-floor units to conform to ANSI, UFAS and ADA requirements for accessibility.



Wash-Ware®: 3401 Elliptical Models -1, 2, or 3 Stations

MODEL NUMBER AND OPTIONS SELECTION

BASE MODEL NUMBERS (Must Specify)

- 3401 Elliptical, One Station
- 3402 Elliptical, Two Station
- 3403 Elliptical, Three Station

FIXTURE MOUNTING AND WASTE (Must Specify)

- (1-1/2" OD Tailpiece Provided Standard)
- 1 Off-Floor, Wall Outlet, ADA Compliant
 - 2 On-Floor, Wall Outlet

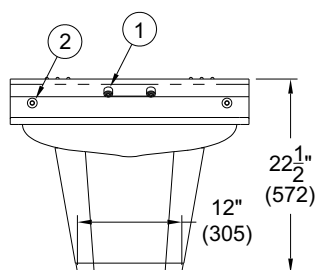
OPERATION (Must Specify)

- F Foot Operation (-2 On-Floor Models Only)
- H Hand Operation
- PPZ Programmable Piezo Pushbutton Electronic Metering
- SO Sensor Operation
- SO-BAT Sensor Operation (Batteries Not Included)

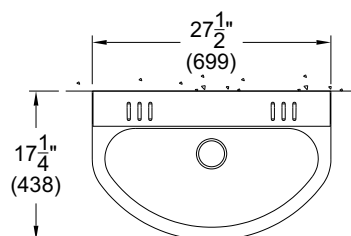
PRODUCT OPTIONS

- BDM Metering Liquid Soap Dispenser (Not Available with -1 Off-Floor)
- EG Enviro-Glaze Color, Bowl and Sprayhead Specify: _____
- HB Hose Bibb, Specify: Left Side Right Side (Not ADA Compliant.)
- JH31 31" Junior Rim Height
- SPX 16 Gage Stainless Steel Housing
- ST Single Temperature Valve
- VP Vinylclad Housing Color: Black (Standard) Gray White

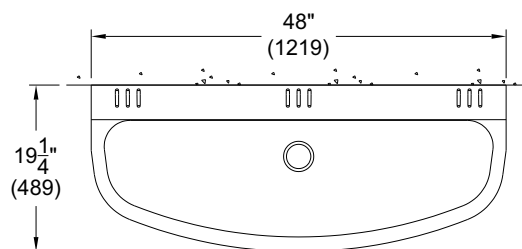
Please visit www.acorneng.com for most current specifications.



3402 SHOWN



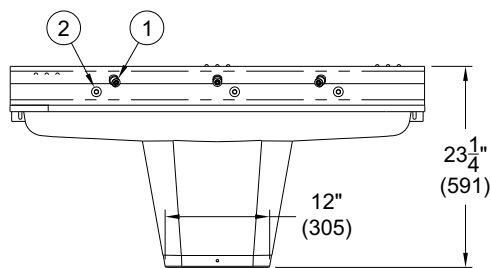
3401 / 3402



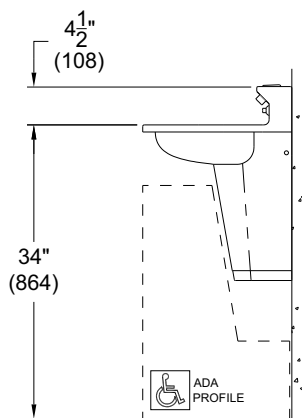
3403

NOTES:

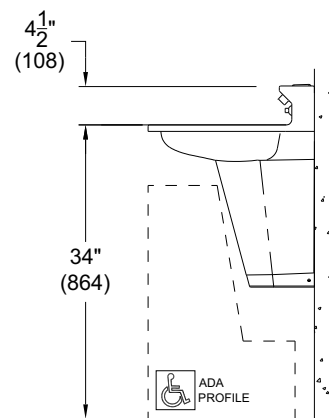
1. Spray Nozzle.
2. -H Pushbutton.



3403



3401 / 3402



3403

WARNING: Cancer and Reproductive Harm - www.P65Warnings.ca.gov

<p>Important: Installation instructions and current rough-in are furnished with each fixture. Do not rough in without certified dimensions. <small>Dimensions are subject to manufacturer's tolerance of plus or minus 1/4" and change without notice. Acorn assumes no responsibility for use of void or superseded data. © Copyright 2006 Acorn Engineering Company</small></p>	
<p style="text-align: center;">Selection Summary</p> <p>Model No. & Option _____</p> <p>Quantity _____</p>	<p style="text-align: center;">Approved for Manufacturing</p> <p>Company _____ Title _____</p> <p>Signature _____ Date _____</p>