



**Wash-Ware® 3423ADA Series**  
Semi-Circular Models - 3 or 4 Stations - ADA Compliant



3424-ES-ADA-1-H

3424-ADA-2-H

Fixture May Show Some Available Options

Please visit [www.acorneng.com](http://www.acorneng.com) for most current specifications.

**Semi-Circular Models - 3 or 4 Stations - ADA Compliant**

**Bowl and Sprayhead** are type 304 stainless steel with satin finish. Bowl is 38" wide, and has an integral backsplash and sprayhead. Heavy-duty S-clips securely anchor the backsplash to the wall. Sprayhead is 15" diameter x 5-1/4" high.

**Standard Housing** is black vinylclad, galvanized steel panels on both sides and a type 304 stainless steel panel with satin finish on the front side. Base is also stainless steel.

**ES Series** feature a contoured 16 gage, type 304 stainless steel pedestal housing with satin finish. One piece housing and flush mounted access cover allow for easier installation and servicing of unit. The following options are not available with this style pedestal housing: -SPX 16 Gage Stainless Steel Housing (standard with this base), and -VP Vinylclad Housing Color.

**ADA Compliance.** Units conform to ANSI, UFAS and ADA requirements for accessibility. Compliance is subject to the interpretation and requirements of the local code authority.

**Soap/Toiletry Tray** on top of sprayhead is standard. There are additional self-draining, air-circulating soap dishes on each side of the bowl.

**Sectional Control** is standard. One pushbutton or sensor actuates one station.

**Hand Pushbuttons** (suffix option -H) operate metering non-hold open Air-Control Valves and can be field set for flow ranging from 5 to 60 seconds. Pushbutton requires less than 5 pounds of force to activate valve.

**Electronic Sensor Operation** (suffix option -SO) includes individual solenoid valves activated by infrared sensors. A low voltage transformer is provided.

**Foot Pushbuttons** are not available on these models.

**Spray Nozzles** are vandal-resistant and provide a concentrated 0.5 GPM spray at each station.

**Hot & Cold Supplies** are blended in an ASSE 1070 compliant temperature/pressure balancing mixing valve with integral checks and strainers. A minimum of 30 PSI supply pressure is required.

**Waste Connection** is a 1-1/2" OD x 4" tailpiece.

**GUIDE SPECIFICATION**

Provide and install Acorn ADA Compliant Washfountain (specify model number and options) factory pre-assembled, with individual sectional control. Bowl shall be 14 gage stainless steel and shall have an integral backsplash. Sprayhead shall be 18 gage stainless steel. Spray nozzles shall be vandal-resistant type with 0.5 GPM flow controls. Provide self-draining, air-circulating type soap/toiletry tray on top of sprayhead, and soap dish on each side of bowl. On-Floor and Off-Floor Models shall have backsplash and housing framework anchored to wall. The wall shall be structurally reinforced to support the fixture. Standard base On-Floor Models shall have additional floor anchoring. Provide an ASSE 1070 compliant temperature/pressure balancing mixing valve with integral checks and strainers in H & C supply and field set water temperature at 105 degrees Fahrenheit. When hand operated non-hold open metering valves are specified, timing cycle shall be field set for approximately (specify) seconds. Units to conform to ANSI, UFAS and ADA requirements for accessibility.

# Wash-Ware®: 3423ADA Semi-Circular Models - 3 or 4 Stations - ADA Compliant



## MODEL NUMBER AND OPTIONS SELECTION

### BASE MODEL NUMBERS (Must Specify)

- 3423-ADA Semi-Circular, Three Station
- 3424-ADA Semi-Circular, Four Station
- 3423-ES-ADA Semi-Circular with Contoured Base, Three Station
- 3424-ES-ADA Semi-Circular with Contoured Base, Four Station

### FIXTURE MOUNTING AND WASTE (Must Specify)

- (1-1/2" O.D. Tailpiece Provided Standard)
- 1 Off-Floor, Wall Outlet
  - 2 On-Floor, Wall Outlet

### OPERATION (Must Specify)

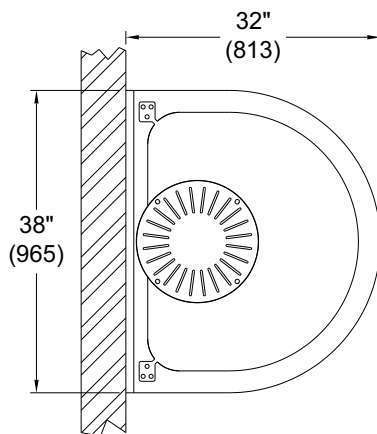
- H Hand Operation
- PPZ Programmable Piezo Pushbutton Electronic Metering
- SO Sensor Operation
- SO-BAT Sensor Operation (Batteries Not Included)

**Note:** Foot operation is not available on these models.

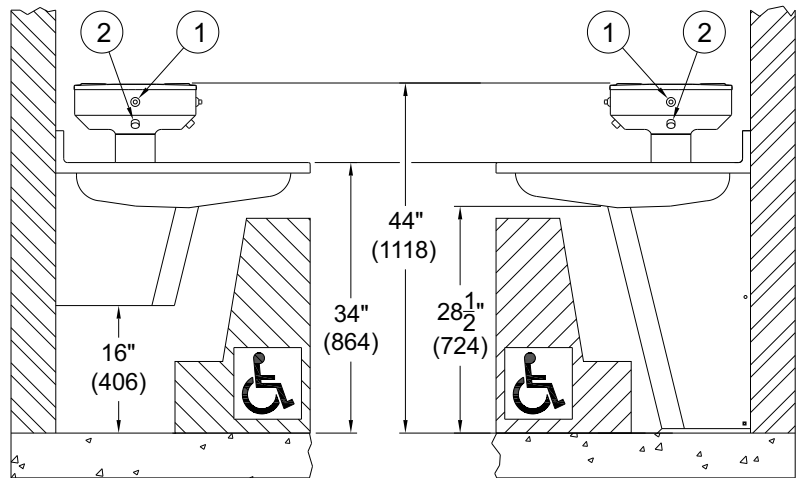
### PRODUCT OPTIONS (Must Specify)

- CB Column Braced to Backsplash
- DP Metering Powder Soap Dispenser
- DV Liquid / Lotion Soap Dispenser
- EG Enviro-Glaze Color, Bowl and Sprayhead  
Specify: \_\_\_\_\_
- HB Hose Bibb, Specify:  Left Side  Right Side (Not ADA Compliant)
- JH31 31" Junior Rim Height (Not ADA Compliant On -2 On-Floor Units)  
Less Backsplash
- LBS Pipe Column Brace (Pipe By Others)
- PCB Pipe Column Brace (Pipe By Others)
- PDM Metering Liquid Soap Dispenser (Not Available with -PCB, -TM, or -TS)
- SPX 16 Gage Stainless Steel Housing (Standard on -ES Contoured Base Units)
- ST Single Temperature Valve
- TM C or Multi-Fold Paper Towel Dispenser (Not ADA Compliant)
- TS Single-Fold Paper Towel Dispenser (Not ADA Compliant)
- VP Vinylclad Housing Color:  Black (Standard)  Gray  White (Not Available with -ES Contoured Base Units)

Please visit [www.acorneng.com](http://www.acorneng.com) for most current specifications.



MODELS: 3423/3424-ADA



3423/3424-ADA-1-H

3423/3424-ADA-2-H

### NOTES:

1. -H Pushbutton.

2. Spray Nozzle.

**WARNING:** Cancer and Reproductive Harm - [www.P65Warnings.ca.gov](http://www.P65Warnings.ca.gov)

<p><b>Important:</b> Installation instructions and current rough-in are furnished with each fixture. Do not rough in without certified dimensions. Dimensions are subject to manufacturer's tolerance of plus or minus 1/4" and change without notice. Acorn assumes no responsibility for use of void or superseded data. © Copyright 2006 Acorn Engineering Company</p>	
<p style="text-align: center;">Selection Summary</p> <p>Model No. &amp; Option _____</p> <p>Quantity _____</p>	<p style="text-align: center;">Approved for Manufacturing</p> <p>Company _____ Title _____</p> <p>Signature _____ Date _____</p>