



Wash-Ware® 3506ADA Series
Circular Models - 6 or 8 Stations - ADA Compliant



3506ADA-3-SO-BO

Fixture May Show Some Available Options

Please visit www.acorneng.com for most current specifications.

Circular Models - 6 or 8 Stations - ADA Compliant

Bowl and Sprayhead are type 304 stainless steel with satin finish. Bowl has an integral sprayhead. Sprayhead is 15" diameter x 5-1/4" high.

Housing is black vinylclad, galvanized steel. Base is stainless steel.

ADA Compliance. Units conform to ANSI, UFAS and ADA requirements for accessibility. Compliance is subject to the interpretation and requirements of the local code authority.

Soap/Toiletry Tray on top of sprayhead is standard.

Sectional Control is standard. One pushbutton or sensor actuates one station.

Electronic Sensor Operation is standard, ADA compliant and includes individual solenoid valve actuated by infrared sensors. A low voltage transformer is provided.

Foot Pushbuttons are not available on these models.

Spray Nozzles are vandal-resistant and provide a concentrated 0.5 GPM spray at each station.

Hot & Cold Supplies are blended in an ASSE 1070 compliant temperature/pressure balancing mixing valve with integral checks and strainers. A minimum of 30 PSI supply pressure is required.

Waste Connection is 2" No Hub. No Hub connector by others.

Retrofitting Existing Installations. These fixtures are ideal for replacement of old style circular washfountains, particularly where maintenance is excessive or when unsanitary conditions exist.

GUIDE SPECIFICATION

Provide and install Acorn ADA Compliant Washfountain (specify model number and options) factory pre-assembled, with individual sectional control. Bowl shall be 14 gage stainless steel. Sprayhead shall be 18 gage stainless steel. Spray nozzles shall be vandal-resistant type with 0.5 GPM flow controls. Provide self-draining, air-circulating type soap/toiletry tray on top of sprayhead. Housing shall have stainless steel scuffguard base and black vinylclad galvanized steel panels. Framework shall be securely bolted to the floor. Provide an ASSE 1070 compliant temperature/pressure balancing mixing valve with integral checks and strainers in H & C supply and field set water temperature at 105 degrees Fahrenheit. When hand operated non-hold open metering valves are specified, timing cycle shall be field set for approximately (specify) seconds. Units to conform to ANSI, UFAS and ADA requirements for accessibility.

Wash-Ware® 3506ADA : Circular Models - 6 or 8 Stations - ADA Compliant



MODEL NUMBER AND OPTIONS SELECTION

BASE MODEL NUMBERS (Must Specify)

- 3506-ADA 54" Island Circular, Six Station, ADA Compliant
- 3508-ADA 54" Island Circular, Eight Station, ADA Compliant

FIXTURE MOUNTING AND WASTE (Must Specify)

- 3 On-Floor, Floor Outlet

OPERATION (Must Specify)

- SO Sensor Operated (Standard)
- SO-BAT Sensor Operated, Battery Powered (Batteries Not Included)

Note: Foot operation is not available on these models.

SUPPLY AND VENT (Must Specify)

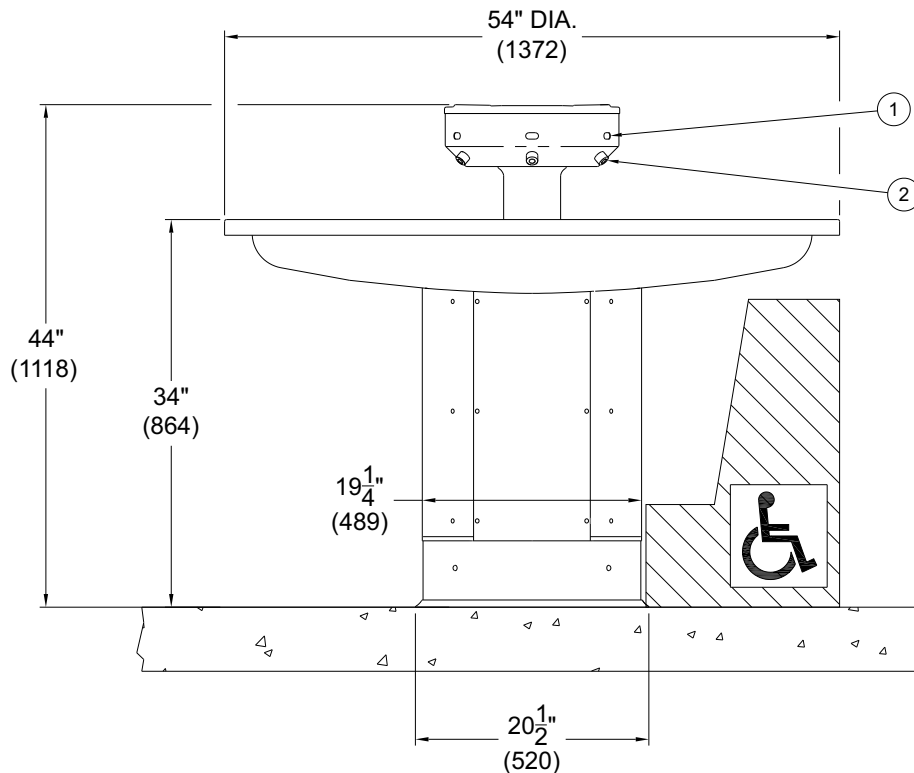
- BO Bottom Supply; Vent Off Drain
- BT Bottom Supply; Vent Thru-Fixture
- TO Top Supply; Vent Off Drain
- TT Top Supply; Vent Thru-Fixture

PRODUCT OPTIONS

- DV Liquid / Lotion Soap Dispenser (Not ADA Compliant)
- EG Enviro-Glaze Color, Bowl and Sprayhead
Specify: _____
- HB Hose Bibb, Specify: Left Side Right Side (Not ADA Compliant)
- JH31 31" Junior Rim Height (Not ADA Compliant)
- PCB Pipe Column Brace (Pipe By Others.)
- PDM Metering Liquid Soap Dispenser (Not Available with -BT, -PCB, -SC, -TM, -TO, -TS, or -TT.)
- SC Supply / Vent Cover.
Specify Ceiling Height: _____
- SPX 16 Gage Stainless Steel Housing
- ST Single Temperature Valve
- TM C or Multi-Fold Paper Towel Dispenser (Not ADA Compliant)
- TS Single-Fold Paper Towel Dispenser (Not ADA Compliant)

Please visit www.acorneng.com for most current specifications.

MODEL# 3506ADA/3508ADA-3-SO SERIES



- NOTES:**
1. -SO Sensor Operated
 2. Spray Nozzle

WARNING: Cancer and Reproductive Harm - www.P65Warnings.ca.gov

| | |
|---|--|
| <p>Important: Installation instructions and current rough-in are furnished with each fixture. Do not rough in without certified dimensions. <small>Dimensions are subject to manufacturer's tolerance of plus or minus 1/4" and change without notice. Acorn assumes no responsibility for use of void or superseded data. © Copyright 2007 Acorn Engineering Company</small></p> | |
| <p style="text-align: center;">Selection Summary</p> <p>Model No. & Option _____</p> <p>Quantity _____</p> | <p style="text-align: center;">Approved for Manufacturing</p> <p>Company _____ Title _____</p> <p>Signature _____ Date _____</p> |