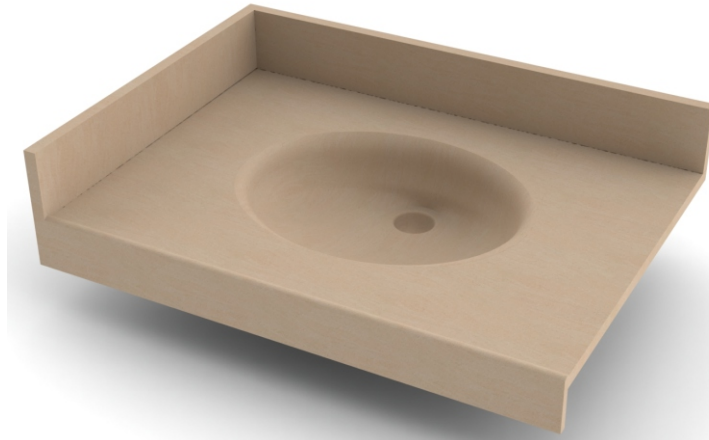




## Meridian® 3761 Series

One Station Meridian® Corterra® Counter-Lav



3761-SM-LSS

Fixture May Show Some Available Options

Please visit [www.acorneng.com](http://www.acorneng.com) for most current specifications.

### One Station Meridian® Corterra® Counter-Lav

**Meridian® Corterra® Counter-Lavs** combine the look of granite countertops with the feel of designer Basins. These commercial-grade fixtures provide both the durability and economy of group fixtures. Additionally, the Corterra® Counter-Lavs provide a single source specification for all Faucets, Basins, Countertops and Drain fittings. Standard units are provided as Countertops only without Basins or openings. Each Corterra® Counter-Lav complies with ANSI, UFAS and ADA requirements. Compliance is subject to the interpretation and requirements of the local code authority.

**Countertops** are constructed of Corterra® solid-surface polymer resin. Countertops include a No-Drip Front Edge and a 4" high Backsplash that is shipped loose for field installation by others. Extended Countertop options such as the -ECL Extended Countertop Left and -ECR Extended Countertop Right that results in overall dimensions greater than 120" will require two-piece construction for joining in the field by others. Countertops are optionally available with Side Splash and Side Apron.

**Basin** is optionally available and are constructed of Corterra® solid surface polymer resin. Basins include an Integral Overflow and may be specified with color to match or contrast Countertop. Drop-In stainless steel Basins are also available.

**Mixing Valve and Spouts** are optionally available to provide a metered, tempered water supply to each Basin. Spouts may be specified for Hand or Sensor operation and are intended for use with the optional Valve assemblies. Mixing Valve is ASSE 1070 compliant and includes Strainers and Integral Checks. Controls meet ANSI, UFAS and ADA requirements.

**-PDM Pump Type Soap Dispenser** is optionally available for liquid and lotion type Soaps. Dispensers are deck mounted with an under-the-counter Reservoir and top refill feature for ease of maintenance. Not available with -H1, -H24, -H34 or -H38 options. Dispensers meet ANSI, UFAS and ADA requirements.

**Unit Certification** complies with IAPMO IGC 156, CSA B45 Series, ASME A112.18.1/CSA B125.1

**Material Certification** of material construction is Flame Spread and Smoke Developed rated "Class A" per the following standards: ASTM E84-10, UL723, ANSI/NFPA No. 255 and UBC No. 8-1. Material also complies with Canadian requirements: CAN/ULC-S102 for Flame Spread and Smoke Developed. Material of constructions physical properties in compliance with CSA B45.5/IAPMO Z124 and ANSI/ICPA SS-1.

#### GUIDE SPECIFICATION

Provide and install Corterra® Counter-Lav by Acorn (Specify model number and options). Units installed at 34" standard rim height conform with ANSI, UFAS and ADA requirements. Countertop and Integral Basin to be constructed of Corterra® solid surface polymer resin. Basin to include individual, Integral Overflow. Counter-Lav to be provided complete with the following: ASSE 1070 Compliant Mixing Valve assembly, deck mounted Spout, Pushbutton and individual P-Trap.

# Meridian® 3761: One Station Meridian® Corterra® Counter-Lav



## BASE MODEL NUMBER (Must Specify)

- 3761 Meridian® Corterra® Counter-Lav  
(30" x 21-3/4" Counter)

## CORTERRA® COLOR OPTIONS (Must Specify)

Color: \_\_\_\_\_  
(Refer to <https://www.acorneng.com/corterra-solid-surface> for available colors)

## BASIN OPTIONS (Must Specify)

- SM Basin Same Color/Material as Corterra® Counter-Lav
- OCC02A Iverstone (White) Corterra® Basin
- OCC03A Sahara (Tan) Corterra® Basin
- RLD Drop-in "D" Shape Stainless Steel Basin (-H38 Not Available)

## BASIN OPERATION (Must Specify)

- 9 Punching for Valves & Spout by Others
- CSG 4" Centerset Faucet with Gooseneck Spout & Wrist Blade Handles includes -H34 Hand Operation
- H Hand Operation  
Specify Valve & Deck Mounted Spout
- PPZ Programmable Piezo Button Electronic Metering, Specify Valve & Deck Mounted Spout
- SO Sensor Operation  
Specify Valve & Deck Mounted Spout
- SO-BAT Sensor Operation, Battery Powered  
Specify Valve & Deck Mounted Spouts (Batteries Not Included)

## BASIN SPOUT OPTIONS (N/A for -9 or -CSG)

- DMJ Deck Mounted 'J' Spout
- DML Deck Mounted 'L' Spout

## BASIN VALVE OPTIONS (N/A for -9 or -CSG)

- MXTP ASSE 1070 Compliant Valve
- ST Single Temperature Air-Control Valve

## BASIN VALVE PUNCHING FOR VALVE BY OTHERS

- (Must Specify With -9)  
(1-5/16" Diameter Hole Punching)
- H1 Single Hole; On Center
  - H24 4" Centerset; Two Holes
  - H34 4" Centerset; Three Holes
  - H38 8" Centerset; Three Holes (N/A with -RLD)

## BASIN WASTE OPTION

- TPT Individual P-Trap w/ Grid Strainer

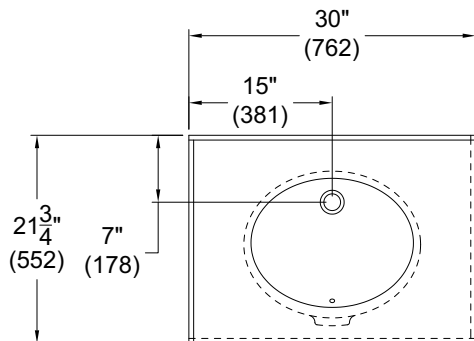
## COUNTERTOP OPTIONS

- ECL Extended Countertop - Left Hand, Specify \_\_\_\_ (120" maximum overall width)
- ECR Extended Countertop - Right Hand, Specify \_\_\_\_ (120" maximum overall width)
- LBS Less Backsplash
- LSA Left Side Apron
- LSS Left Side Splash
- RSA Right Side Apron
- RSS Right Side Splash

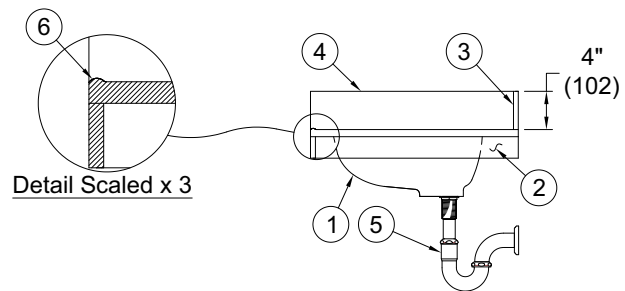
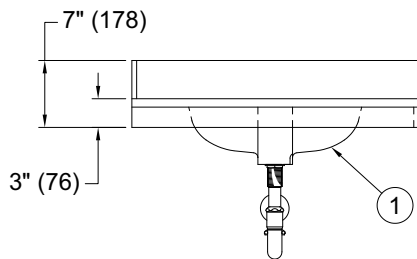
## PRODUCT OPTIONS

- LC Mounting Sleeve for Wall Carrier (By Others)
- MF Mirror Finish Basin (-RLD Basin Option Only)
- PDM Metering Liquid Soap Dispenser (N/A with -H1, -H24, -H34 or -H38 Options)

Please visit [www.acorneng.com](http://www.acorneng.com) for most current specifications.



MODEL# 3761-SM-LSS-RSA-TPT



### NOTES:

1. Optional -SM Corterra Bowl
2. Optional -RSA Right Side Apron
3. Backsplash Loose for Field Installation
4. Optional -LSS Left Side Splash
5. Optional -TPT Individual P-Trap
6. No-Drip Front Edge

**WARNING:** Cancer and Reproductive Harm - [www.P65Warnings.ca.gov](http://www.P65Warnings.ca.gov)

<p><b>Important:</b> Installation instructions and current rough-in are furnished with each fixture. Do not rough in without certified dimensions. Dimensions are subject to manufacturer's tolerance of plus or minus 1/4" and change without notice. Acorn assumes no responsibility for use of void or superseded data. © Copyright 2009 Acorn Engineering Company</p>	
<p style="text-align: center;">Selection Summary</p> <p>Model No. &amp; Option _____</p> <p>Quantity _____</p>	<p style="text-align: center;">Approved for Manufacturing</p> <p>Company _____ Title _____</p> <p>Signature _____ Date _____</p>