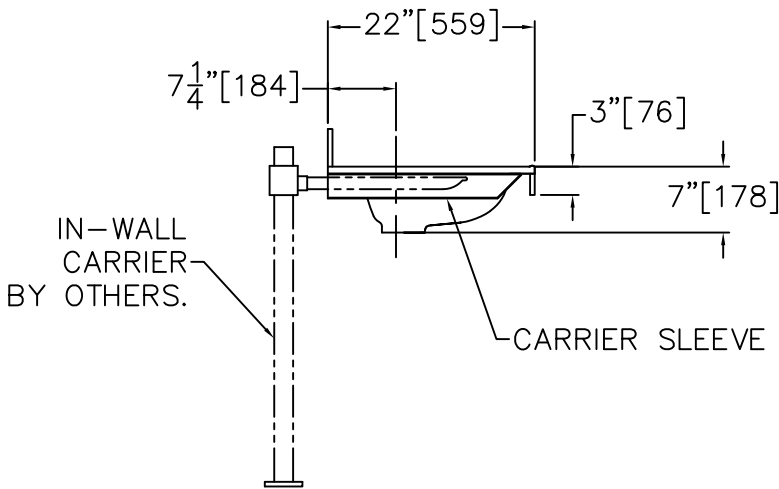


**NOTE: ONE IN-WALL CARRIER REQUIRED.**

**CARRIER ARM DETAIL**  
(APPEARANCE OF CARRIER MAY VARY)

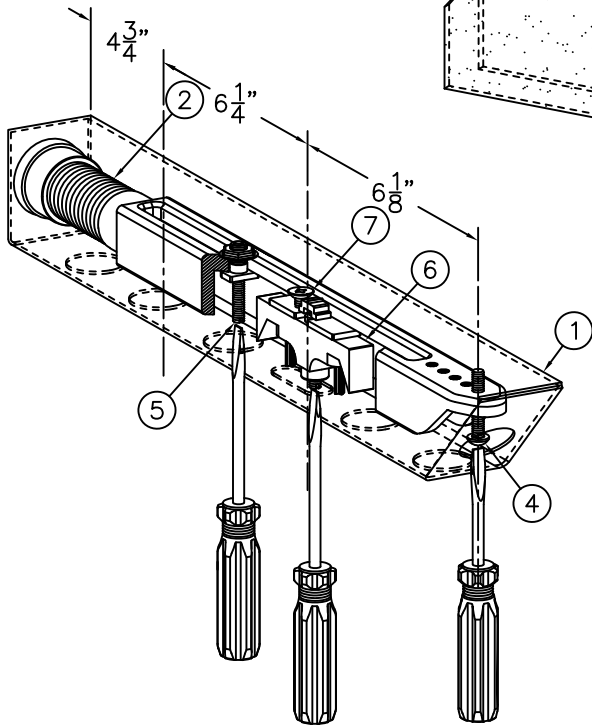
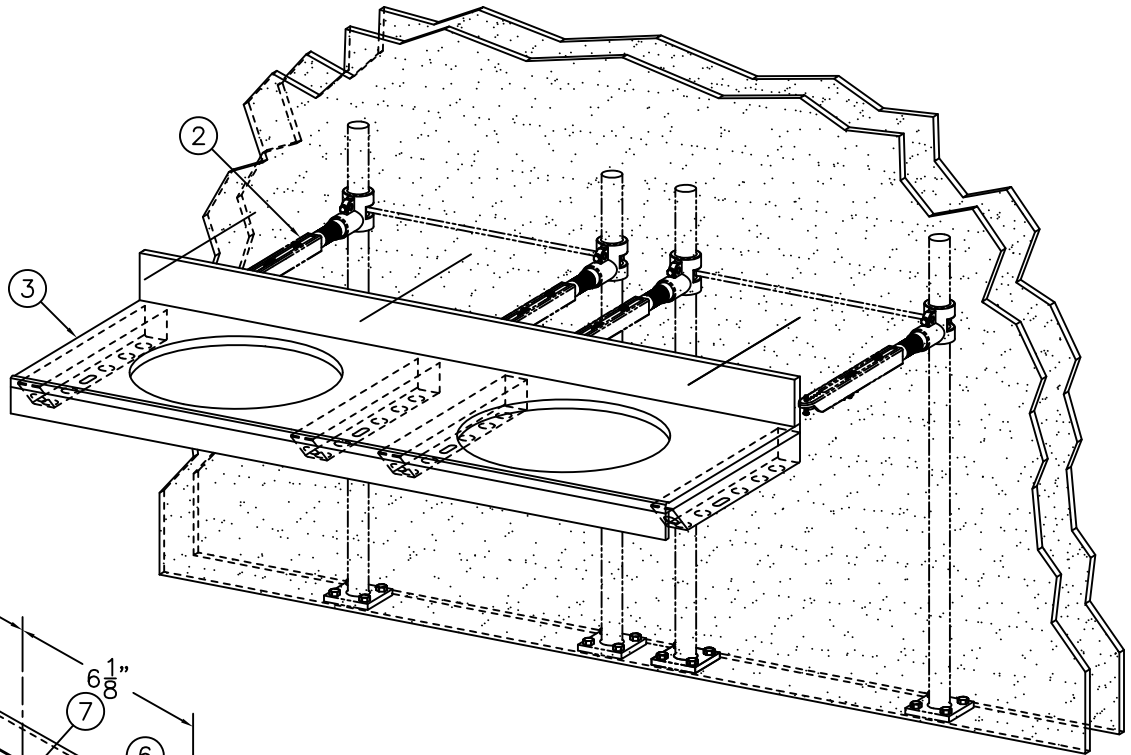


**1 STATION MERIDIAN® CORTERRA COUNTER-LAV MODEL\* 3761 LAVY IN-WALL CARRIER DETAIL**

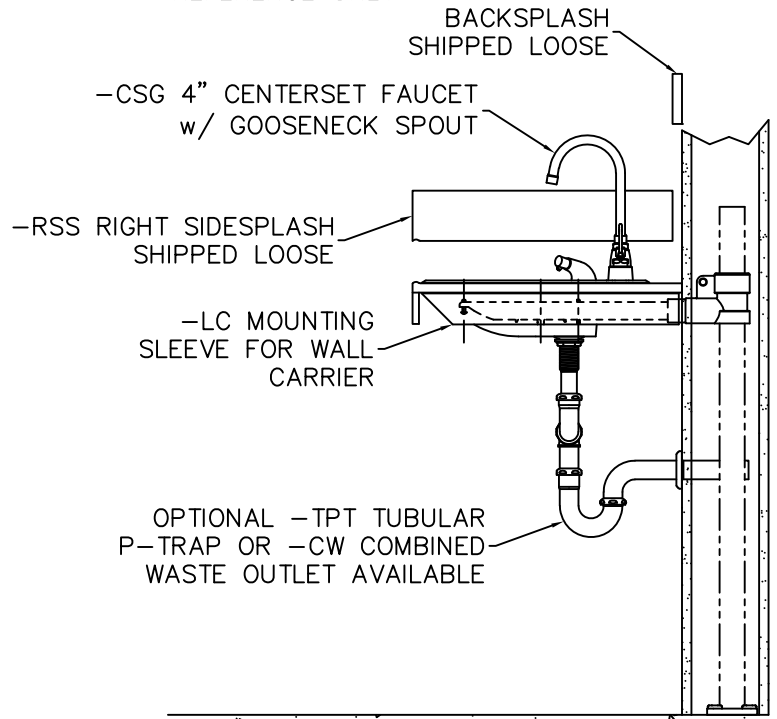
Option -LC provides Mounting Carrier Sleeves on the bottom of countertop at locations shown.

In-wall lavatory carrier by others. For example 0700 series Jay R. Smith carrier or equal with dimensions: arm length is 19" long and 24" on center between arms.

<p>ACORN ENGINEERING COMPANY P.O. BOX 3527 Industry, CA 91744 15125 Proctor Ave Industry, CA 91746 (626) 336-4561 FAX (626) 961-2200</p>	<p>TITLE <b>MERIDIAN® CORTERRA COUNTER-LAV CARRIER DETAIL MODEL * 3761-LC</b></p>		
	<p>MANUFACTURE DATE</p> <p><b>SEPTEMBER 1999</b></p> <p><b>TO PRESENT</b></p>	<p>DATE ISSUED</p> <p><b>10/7/99</b></p>	<p>DRAWING NUMBER</p> <p><b>9927-300-001</b></p>
		<p>DATE REVISED</p> <p><b>01/26/19 A</b></p>	



INSTALLER PROVIDED  
CABINET SHOWN FOR  
REFERENCE ONLY



**MOUNT OPTIONAL -LC MOUNTING SLEEVE TO WALL CARRIER**

**INSTALLATION INSTRUCTIONS:**

- A-SLIDE LAVATORY CARRIER SLEEVES (1) INTO CARRIER ARMS (2) WITH BACK OF LAVATORY (3) FLUSH TO WALL.
- B-LEVEL LAVATORY (3) USING FRONT (4) AND BACK (5) LEVELING SCREWS.
- C-TO SET POSITION OF LOCKING DEVICE (6), TURN SET SCREW (7) CLOCKWISE.
- D-LOCK LAVATORY INTO PLACE BY TURNING LOCKING DEVICE (6) ADJUSTMENT STUD CLOCKWISE.

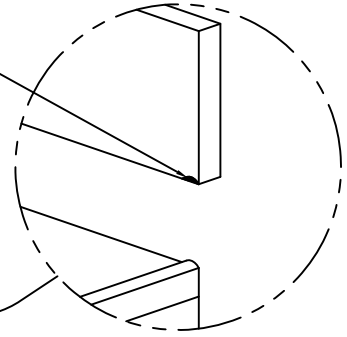
<p>ACORN ENGINEERING COMPANY P.O. BOX 3527 Industry, CA 91744 15125 Proctor Ave Industry, CA 91746 (626) 336-4561 FAX (626) 961-2200</p>	<p>TITLE <b>MERIDIAN® CORTERRA CARRIER INSTALLATION w/ -LC OPTION</b></p>		
	<p>MANUFACTURE DATE</p> <p><b>AUG 2001</b></p> <p><b>TO PRESENT</b></p>	<p>DATE ISSUED</p> <p><b>10/12/99</b></p> <p>DATE REVISED</p> <p><b>02/01/19 A</b></p>	<p>DRAWING NUMBER</p> <p><b>9927-311-001</b></p>



**IMPORTANT:**

GENERAL CARPENTRY SKILL AND KNOWLEDGE OF INDUSTRY STANDARDS ARE REQUIRED. PROPER INSTALLATION OF COUNTERLAV AND COMPLIANCE WITH CLEARANCE AND LOCAL CODE REQUIREMENTS ARE THE RESPONSIBILITY OF THE INSTALLER.

CUT OR GRIND SIDESPLASH TO FIT BULL NOSE ON COUNTER

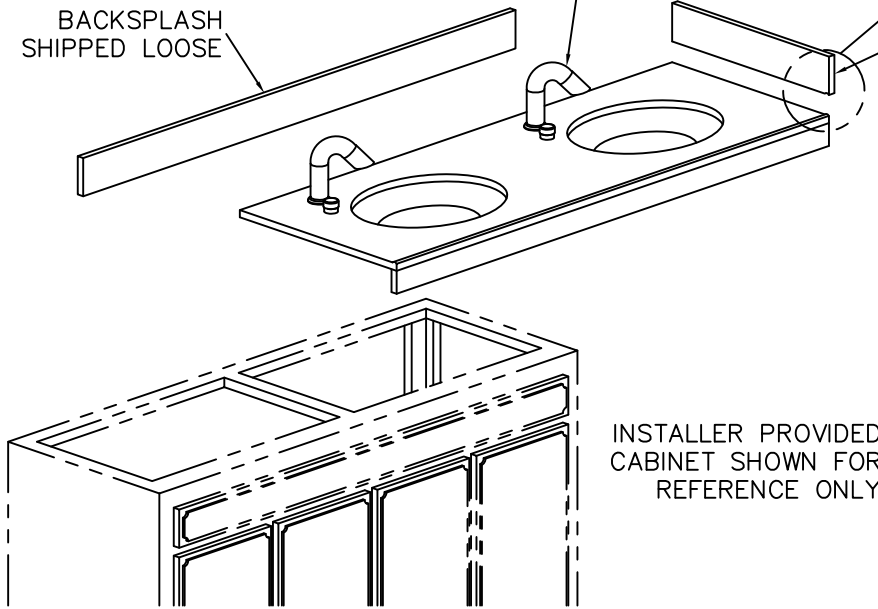


OPTIONAL -DMJ DECK MOUNTED "J" SPOUT & HAND PUSHBUTTON ASSEMBLIES SHOWN

BACKSPLASH SHIPPED LOOSE

OPTIONAL -RSS RIGHT SIDESPLASH SHIPPED LOOSE

**INSTALLATION INSTRUCTIONS:**



INSTALLER PROVIDED CABINET SHOWN FOR REFERENCE ONLY

- A- WHEN IT BECOMES NECESSARY TO MOVE AND POSITION THE COUNTERLAV GET HELP. THE COUNTERLAV MAY BE DIFFICULT TO MANEUVER THROUGH THE JOB SITE.
- B- IF USING A WALL CARRIER: INSTALL THE WALL CARRIER ACCORDING TO THE MANUFACTURER'S INSTRUCTIONS, OTHERWISE PROVIDE APPROPRIATE COUNTERLAV SUPPORT.
- C- IF SUPPORTING THE COUNTERLAV WITH CABINET: APPLY A THIN BEAD OF CONSTRUCTION ADHESIVE OR SILICONE CAULK TO THE TOP EDGES OF THE BASE CABINET AND SET COUNTERLAV INTO POSITION. IMMEDIATELY WIPE AND REMOVE ANY EXCESS ADHESIVE.
- D- INSTALL THE INCLUDED BACKSPLASH ONLY AFTER THE COUNTERLAV HAS BEEN POSITIONED. APPLY A THIN BEAD OF CONSTRUCTION ADHESIVE TO THE BACKSPLASH WHERE IT MEETS THE WALL AND COUNTER SURFACE. IMMEDIATELY WIPE AND REMOVE ANY EXCESS ADHESIVE. CLAMP UNTIL SET.
- E- INSTALL OPTIONAL SIDESPLASH AFTER GRINDING BOTTOM FRONT EDGE AS SHOWN, USE ADHESIVE AND WIPE EXCESS.
- F- INSTALL OPTIONAL SPOUTS, SOAP DISPENSERS AND VALVES PER MANUFACTURER'S INSTRUCTIONS.
- G- MAKE UP WASTE CONNECTIONS AS NECESSARY. IF USING ACORN WASTE PIPING ASSEMBLIES PROVIDE A ROUGH-IN FOR 1-1/2" PLAIN END.
- H- AFTER THOROUGHLY FLUSHING SUPPLY LINES, MAKE UP CONNECTIONS TO VALVE INLETS AS REQUIRED.

BACKSPLASH SHIPPED LOOSE

-CSG 4" CENTERSET FAUCET w/ GOOSNECK SPOUT

-RSS RIGHT SIDESPLASH SHIPPED LOOSE

OPTIONAL -TPT TUBULAR P-TRAP OR -CW COMBINED WASTE OUTLET AVAILABLE

34" RECOMMENDED

INSTALLER PROVIDED CABINET SHOWN FOR REFERENCE ONLY



ACORN ENGINEERING COMPANY  
P.O. BOX 3527 Industry, CA 91744  
15125 Proctor Ave Industry, CA 91746  
(626) 336-4561 FAX (626) 961-2200

TITLE **MERIDIAN® CORTERRA COUNTERLAV #3760 SERIES**

MANUFACTURE DATE

**JULY 1999  
TO PRESENT**

DATE ISSUED

**10/12/99**

DATE REVISED

**01/28/19 F**

DRAWING NUMBER

**9927-310-001**



# CORTERRA SOLID SURFACE

**MAINTAINING CORTERRA:**

CORTERRA SHOULD BE KEPT CLEAN AT ALL TIMES. IF MAINTAINED, CORTERRA SURFACES WILL RETAIN THEIR NEW, CLEAN APPEARANCE INDEFINITELY.

IN ORDER TO REMOVE ANY UNWANTED STAINS, WASH WITH SOAPY WATER THEN RINSE.

IN ORDER TO PREVENT WATER STAINS FROM OCCURRING, DRY SURFACE RIGHT AFTER RINSING. IF THE STAIN PERSISTS, USE A SCOTCH BRITE PAD AND AN ABRASIVE CLEANER. YOU CAN ALSO USE A SOLUTION CONSISTING OF HOUSEHOLD BLEACH AND WATER (1 PART WATER TO 1 PART BLEACH). RINSE AND WIPE SURFACE DRY.

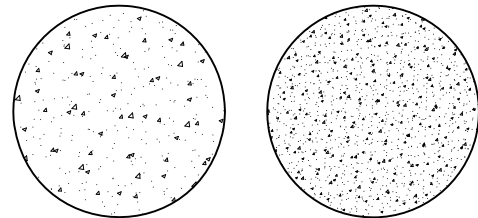
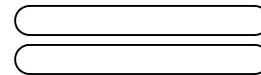
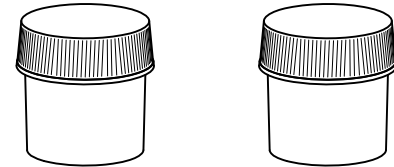
**REPAIRING CORTERRA:**

TO REMOVE CUTS AND SCRATCHES USE 400 GRIT SANDPAPER, FOLLOWED BY AN ABRASIVE CLEANER AND SCOTCH BRITE PAD.

**TO REPAIR CHIPPED CORTERRA:**

(USING REPAIR KIT AVAILABLE FROM ACORN) DO THE FOLLOWING:

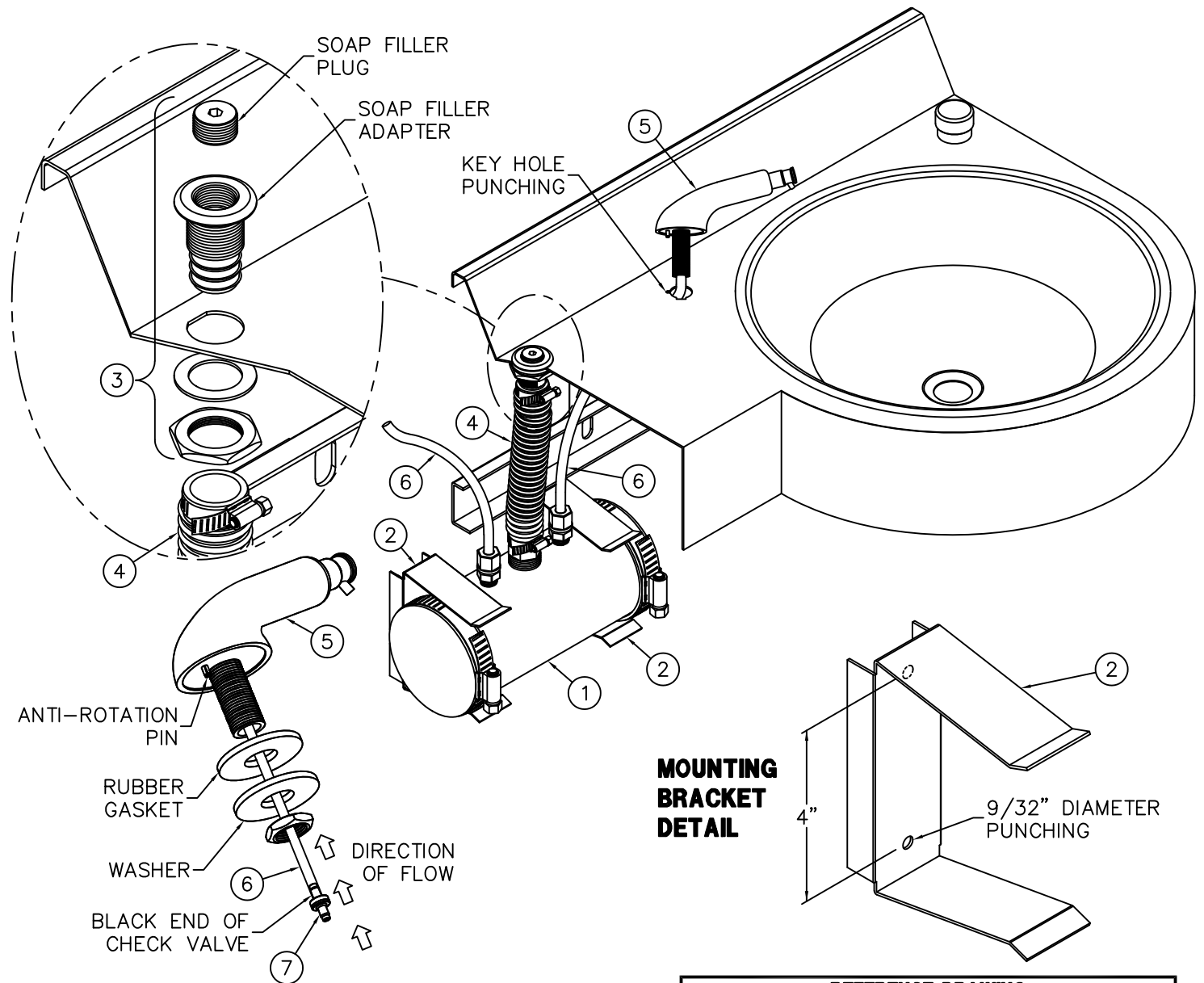
- 1- PUT ON GLOVES PRIOR TO HANDLING ANY OF THE MATERIALS IN THE KIT, AND ENSURE ADEQUATE VENTILATION.
- 2- ADD CONTENTS OF "B" (LIQUID RESIN) TO LARGER CONTAINER "A" (SOLID FILLER). MIX COMPLETELY USING WOODEN STICK.
- 3- ADD TUBE OF "C" (LIQUID CATALYST). MIX FOR TWO (2) MINUTES.  
**CAUTION:** CATALYST GEL TIME AT 75° F IS 15 MINUTES.
- 4- APPLY MIXED MATERIAL TO DAMAGED AREA USING WOODEN STICK.  
**NOTE:** APPLY ONLY AS MUCH PATCH AS REQUIRED.
- 5- LET CURE APPROXIMATELY 3-4 HOURS.  
**NOTE:** FOR A "FAST CURE" OF APPROXIMATELY 10 MINUTES, USE A LAMP WITH A 100 WATT LIGHT BULB SHINING ON PATCHED AREA ABOUT 2-1/2" FROM PATCH.
- 6- USE COARSE GRAINED SANDPAPER TO SAND OFF EXTRA MATERIAL ONCE PATCH IS HARD.
- 7- USE MEDIUM GRAINED SANDPAPER FOR FINER FINISH.
- 8- USE FINE GRAINED SAND PAPER FOR "POLISHED" FINISH.
- 9- DISCARD EXTRA PATCH MATERIAL



KIT NUMBERS	COLOR
6206-456-001	PEPPERCORN (OCC06)
6206-530-001	SMOKEY GRANITE (OCC01A)
6206-531-001	IVERSTONE (OCC02A)
6206-532-001	SAHARA (OCC03A)
6204-533-001	SUNSET STONE (OCC05A)
6206-535-001	IMPERIAL JADE (OCC07A)
6206-536-001	MIDNIGHT SAPPHIRE (OCC08A)
6206-537-001	OBSIDIAN (OCC09A)
6206-538-001	ANTIQUE LACE (OCC10A)

**WARNING!** REPAIR KIT MATERIALS ARE FLAMMABLE, KEEP AWAY FROM HEAT, SPARKS AND OPEN FLAME. AVOID WITH SKIN. WASH WITH SOAP AND WATER AFTER SKIN CONTACT. IN CASE OF EYE CONTACT, FLUSH WITH WATER FOR 15 MINUTES AND GET MEDICAL ATTENTION. HARMFUL IF SWALLOWED. KEEP OUT OF REACH OF CHILDREN.

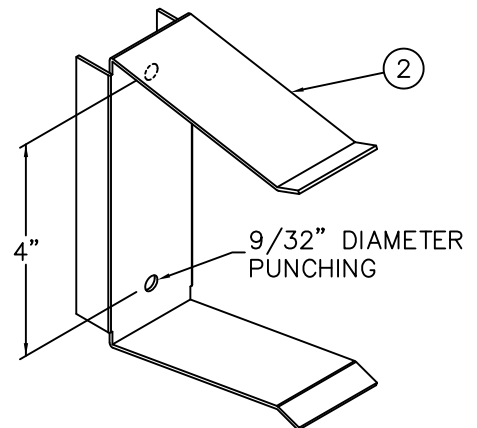
ACORN ENGINEERING COMPANY P.O. BOX 3527 Industry, CA 91744 15125 Proctor Ave Industry, CA 91746 (626) 336-4561 FAX (626) 961-2200	<b>TITLE</b> <b>CORTERRA MAINTENANCE &amp; REPAIR SHEET</b>	
	<b>MANUFACTURE DATE</b> DECEMBER 1997 TO PRESENT	<b>DATE ISSUED</b> 05/18/12 DATE REVISED



FOR BEST RESULTS INSTALL SOAP RESERVOIR FILL HOLE DIRECTLY BELOW SOAP FILLER ON DECK WITH REFILL TUBE AS SHORT AND STRAIGHT AS POSSIBLE TO FACILITATE REFILL OF SOAP WITHOUT BACKUP OR OVERFLOW.

- A- INSTALL SOAP RESERVOIR (1) TO WALL INSIDE THE TRAP ENCLOSURE USING THE MOUNTING BRACKETS (2) PROVIDED. WALL ANCHORS AND FASTENERS ARE BY OTHERS.
- B- INSTALL SOAP FILLER ASSEMBLY (3) TO DECK.
- C- ATTACH THE 1-1/4" O.D. REFILL TUBE (4) TO SOAP FILLER ASSEMBLY (3) & SOAP RESERVOIR (1) WITH THE HOSE CLAMPS PROVIDED.

**MOUNTING BRACKET DETAIL**



REFERENCE DRAWING	
ASSEMBLY	NUMBER
SOAP DISPENSER	9965-075-002

- D- INSTALL SOAP DISPENSER(S) (5) ONTO DECK BY ALIGNING ANTI-ROTATION PIN WITH KEY HOLE. NOTE THAT GASKET AND WASHER ARE LOCATED BENEATH THE DECK.
- E- ATTACH THE 3/8" O.D. TUBING (6) TO THE DISPENSER(S) (5) & RESERVOIR (1). NOTE: CHECK VALVE(S) (7) MUST BE FIELD SPLICED INTO TUBING (6) & INSTALLED WITH RESPECT TO DIRECTION OF FLOW.
- F- TO FILL SOAP RESERVOIR, REMOVE THE FILLER PLUG FROM THE SOAP FILLER ADAPTER. SLOWLY POUR SOAP DOWN OPENING AND REPLACE PLUG.

**MORRIS GROUP INTL**  
P.O. BOX 3527 Industry, CA 91744  
MORRIS GROUP 15125 Proctor Ave Industry, CA 91746  
INTERNATIONAL (626) 336-4561 FAX (626) 961-2200

TITLE **-PDM SOAP DISPENSER INSTALLATION DETAIL**

MANUFACTURE DATE	DATE ISSUED	DRAWING NUMBER
<b>JUNE 2001 TO PRESENT</b>	<b>08/24/01</b>	
	DATE REVISED	<b>9927-210-003</b>
	<b>06/22/04</b>	