



Meridian® 3762 Series

Two Station Meridian® Corterra® Counter-Lav



3762-OCC01A-SM-H1-LBS-RSA

Fixture May Show Some Available Options



Please visit www.acorneng.com for most current specifications.

Two Station Meridian® Corterra® Counter-Lav

Meridian® Corterra® Counter-Lavs combine the look of granite countertops with the feel of designer Basins. These commercial-grade fixtures provide both the durability and economy of group fixtures. Additionally, the Corterra® Counter-Lavs provide a single source specification for all Faucets, Basins, Countertops and Drain fittings. Standard units are provided as countertops only without basins or openings. Each Corterra® Counter-Lav complies with ANSI, UFAS and ADA requirements. Compliance is subject to the interpretation and requirements of the local code authority.

Countertops are constructed of Corterra® solid surface polymer resin. Countertops include a No-Drip Front Edge, 3" Front Apron and a 4" high Backsplash that is shipped loose for field installation by others. Extended Countertop options such as the -ECL Extended Countertop Left and -ECR Extended Countertop Right that results in overall dimensions greater than 120" will require two-piece construction for joining in the field by others. Countertops are optionally available with Side Splash or Side Aprons to suit site conditions.

Basins are optionally available and are constructed of Corterra® solid surface polymer resin. Integral Basins are 5" deep and include an Integral Overflow and may be specified with color to match or contrast Countertop. Drop-In stainless steel Basins are also available.

Mixing Valve and Spouts are optionally available to provide a metered, tempered water supply to each Basin. Spouts may be specified for Hand or Sensor operation and are intended for use with the optional Valve assemblies. Mixing Valve is ASSE 1070 compliant and includes Strainers and Integral Checks. Controls meet ANSI, UFAS and ADA requirements.

-PDM Pump Type Soap Dispenser is optionally available for liquid and lotion type Soaps. Dispensers are deck mounted with an under-the-counter Reservoir and top refill feature for ease of maintenance. Not available with -H1, -H24, -H34 or -H38 options. Dispensers meet ANSI, UFAS and ADA requirements.

Unit Certification complies with IAPMO IGC 156, CSA B45 Series, ASME A112.18.1/CSA B125.1

Material Certification: Corterra® physical properties are in compliance with CSA B45.5/IAPMO Z124 and ANSI/ISCPA SS-1 and is GREENGUARD Gold certified.

Provide and install Corterra® Counter-Lav by Acorn (Specify model number and options). Units installed at 34" standard rim height conform with ANSI, UFAS and ADA requirements. Countertop and Integral Basins to be constructed of Corterra® solid surface polymer resin. Basin to include individual, Integral Overflow. Counter-Lav to be provided complete with the following: ASSE 1070 Compliant Mixing Valve Assembly, deck mounted Spout, Pushbutton and individual P-Trap.

Meridian® 3762: Two Station Meridian® Corterra® Counter-Lav



BASE MODEL NUMBER (Must Specify)

- 3762 Meridian® Corterra® Counter-Lav
(60" x 21-3/4" Counter)

CORTERRA® COLOR OPTIONS (Must Specify)

Color: _____
(Refer to <https://www.acorneng.com/corterra-solid-surface> for available colors)

BASIN OPTIONS (Must Specify)

- SM Basin Same Color/Material as Corterra® Counter-Lav
- Integral Basin with Contrasting Color Selections:**
 - OCC02A Iverstone (White) Corterra® Basin
 - OCC03A Sahara (Tan) Corterra® Basin
- RLD Drop-in "D" Shape Stainless Steel Basin (-H38 Not Available)

BASIN OPERATION (Must Specify)

- 9 Punching for Valves & Spout by Others
- CSG 4" Centerset Faucet with Gooseneck Spout & Wrist Blade Handles includes -H34.
- H Hand Operation, Specify Valve & Deck Mounted Spout
- PPZ Programmable Piezo Button Electronic Metering, Specify Valve & Deck Mounted Spout
- SO Sensor Operation, Specify Valve & Deck Mounted Spout
- SO-BAT Sensor Operation, Battery Powered Specify Valve & Deck Mounted Spouts (Batteries Not Included)

BASIN SPOUT OPTIONS (N/A for -9 or -CSH)

- DMJ Deck Mounted 'J' Spout
- DML Deck Mounted 'L' Spout

BASIN VALVE OPTIONS (N/A for -9 or -CSG)

- MXTP ASSE 1070 Compliant Valve
- ST Single Temperature Air-Control Valve

BASIN VALVE PUNCHING FOR VALVE BY OTHERS

- (Must Specify With -9)
(1-5/16" Diameter Hole Punching)
- H1 Single Hole; On Center
 - H24 4" Centerset; Two Holes
 - H34 4" Centerset; Three Holes
 - H38 8" Centerset; Three Holes (N/A with -RLD)

BASIN WASTE OPTIONS

- CW Combined Waste w/ Grid Strainer
- TPT Individual P-Trap w/ Grid Strainer

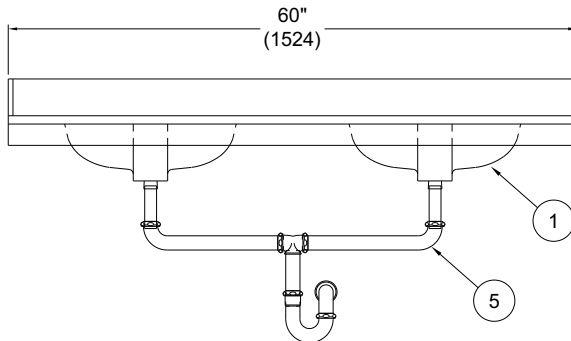
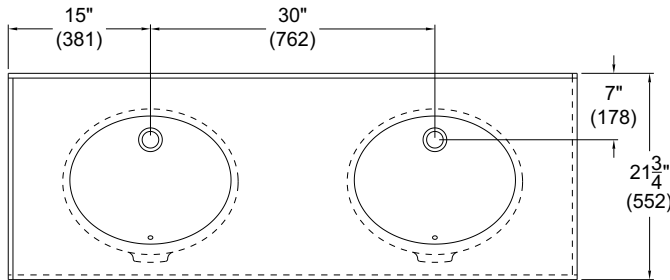
COUNTERTOP OPTIONS

- ECL Extended Countertop - Left Hand, Specify _____ (120" maximum overall width)
- ECR Extended Countertop - Right Hand, Specify _____ (120" maximum overall width)
- LBS Less Backsplash
- LSA Left Side Apron
- LSS Left Side Splash
- RSA Right Side Apron
- RSS Right Side Splash

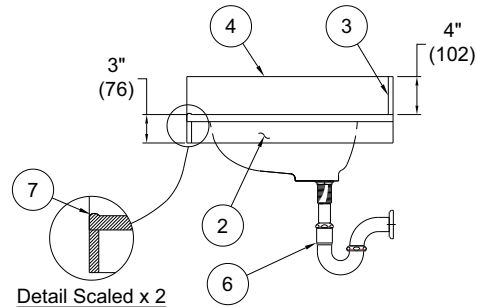
PRODUCT OPTIONS

- LC Mounting Sleeve for Wall Carrier (By Others)
- MF Mirror Finish Basin (-RLD Basin Option Only)
- PDM Metering Liquid Soap Dispenser (N/A with -H1, -H24, -H34 or -H38 Options)

Please visit www.acorneng.com for most current specifications.



MODEL # 3762-SM-CW-LSS-RSA



Detail Scaled x 2

MODEL # 3762-SM-TPT-LSS-RSA

NOTES:

1. Optional -SM Corterra Bowl (5" deep)
2. Optional -RSA Right Side Apron
3. Backsplash Shipped Loose For Field Installation
4. Optional -LSS Left Side Splash
5. Optional -CW Combined Waste
6. Optional -TPT Individual P-Traps
7. No-Drip Front Edge

WARNING: Cancer and Reproductive Harm - www.P65Warnings.ca.gov

<p>Important: Installation instructions and current rough-in are furnished with each fixture. Do not rough in without certified dimensions. Dimensions are subject to manufacturer's tolerance of plus or minus 1/4" and change without notice. Acorn assumes no responsibility for use of void or superseded data. © Copyright 2006 Acorn Engineering Company</p>	
<p style="text-align: center;">Selection Summary</p> <p>Model No. & Option _____</p> <p>Quantity _____</p>	<p style="text-align: center;">Approved for Manufacturing</p> <p>Company _____ Title _____</p> <p>Signature _____ Date _____</p>