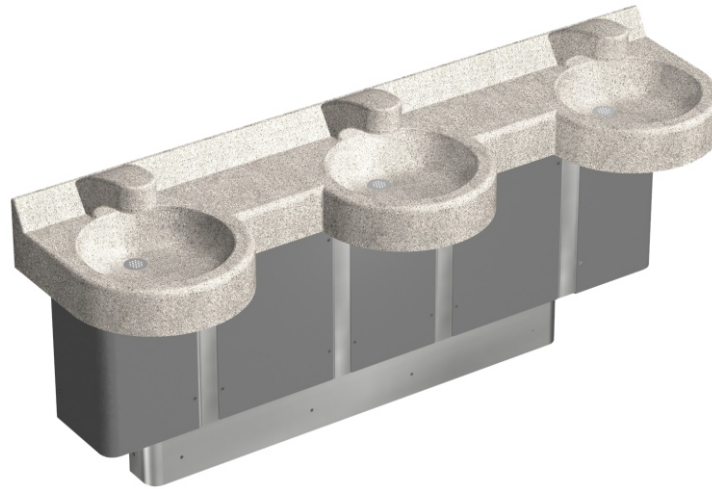




Meridian® 3773 Series

Meridian® Corterra® Curved Front Tri-Basin - ADA Compliant



3773-2-SO

Fixture May Show Some Available Options

Please visit www.acorneng.com for most current specifications.

Meridian® Corterra® Curved Front Tri-Basin - ADA Compliant

Meridian® Corterra® Curved Front Tri-Basins are engineered to combine the look and feel of commercial-grade designer Basins and Countertops with the durability and economy of group fixtures. Each standard height Washbasin complies with ANSI, UFAS and ADA requirements. Compliance is subject to the interpretation and requirements of the local code authority.

Countertop, Basin and Integral Sprayhead are constructed of Corterra® solid surface polymer resin. Integral Sprayhead includes an Access Panel and vandal-resistant Spray Nozzle. Basin includes Overflow, Grid Strainer, Waste piping and 1-1/2" P-Trap.

-H Hand Operation includes deck mounted Pushbuttons and Integral Sprayheads with 0.5 GPM Flow Control. Pushbutton Air-Control actuation provides adjustable metering up to 60 seconds. Pushbutton requires less than 5 pounds of force to activate valve.

-SO Sensor Operation includes Infrared Sensor actuated, Integral Sprayheads with 0.5 GPM Flow Control and powered by a plug-in Transformer provided. Each Sensor actuates an individual Solenoid Valve.

Mixing Valve delivers tempered water flow by compensating for pressure and temperature fluctuations and is ASSE 1070 compliant. Valve is to be field set to 105° Fahrenheit and includes strainers and integral checks. Operating range is 30 PSI to 100 PSI.

Off-Floor Models include a P-trap Enclosure to conceal hot and cold Mixing Valve assembly and P-Trap with 14 gage stainless steel Frame and gray vinylclad, galvanized steel Enclosure. Wall requires adequate backing to support Washbasin.

On-Floor Models include a Pedestal Base with 14 gage stainless steel Frame, stainless steel Scuff Panel, and gray vinylclad, galvanized steel Enclosure. Enclosure conceals Valves, Piping, Supply and Waste connections. Pedestal Base is wall mounted and supported on-floor.

-PDM Pump Type Soap Dispenser is optionally available for liquid and lotion type Soaps. Dispenser is deck mounted with an under-the-counter Reservoir and top refill feature for ease of maintenance.

Unit Certification complies with IAPMO IGC 156, CSA B45 Series, ASME A112.18.1/CSA B125.1

Material Certification of material construction is Flame Spread and Smoke Developed rated "Class A" per the following standards: ASTM E84-10, UL723, ANSI/NFPA No. 255 and UBC No. 8-1. Material also complies with Canadian requirements: CAN/ULC-S102 for Flame Spread and Smoke Developed. Material of constructions physical proprieties in compliance with CSA B45.5/IAPMO Z124 and ANSI/ICPA SS-1.

GUIDE SPECIFICATION

Meridian® Corterra® Curved Front Three-Person Washbasin by Acorn (Specify model number and options). Unit with 34" standard height rim to conform with ANSI, UFAS and ADA Accessibility Standards. Provide integral round Basin (15-3/4" x 5" deep) each with an integral, rear Overflow. Basins, Countertop, Backsplash and Sprayheads to be constructed of (Specify color) Corterra® solid surface polymer resin. Spray Nozzle to be vandal-resistant. Provide Sprayhead Access Panel. Wall mounted pedestal Frame to be constructed of heavy gage, stainless steel. Enclosure to be constructed of vinylclad galvanized steel. Provide heavy gage, type 304 stainless steel Scuff Panel. Operation: (Specify) Provide individual Solenoid Valve activated by Infrared Sensor with plug-in Transformer. Washbasin to be furnished complete with the following: ASSE 1070 Compliant Temperature / Pressure Balancing Mixing Valve, Checks, Supply and Waste connections to the wall and 1-1/2" P-Trap.

Meridian® 3773: Meridian® Corterra® Curved Front Tri-Basin - ADA Compliant



BASE MODEL NUMBER (Must Specify)

3773 Meridian® Corterra® Curved Front Tri-Basin

FIXTURE MOUNTING & WASTE (Must Specify)

- 1 Off-Floor, Wall Outlet
- 2 On-Floor, Wall Outlet

OPERATION (Must Specify)

- 9 Less Sprayhead and Valves (Only Available with -RLD Basin)
- CSG 4" Centerset Faucet with Gooseneck Spout and Wrist Blade Handles (Includes -RLD Basin & -H34)
- H Hand Operation
- PPZ Programmable Piezo Button Electronic Metering
- SO Sensor Operation
- SO-BAT Sensor Operation, Battery Powered (Batteries Not Included)

CORTERRA® COLOR OPTIONS (Must Specify)

Color: _____
 (Refer to <https://www.acorneng.com/corterra-solid-surface> for available colors)

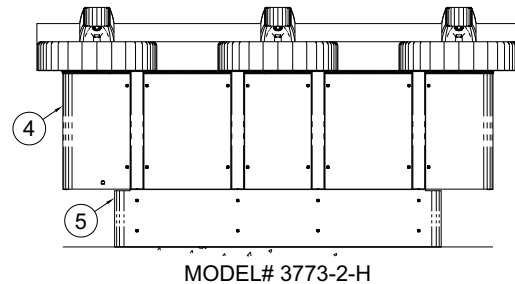
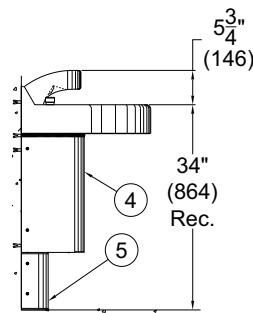
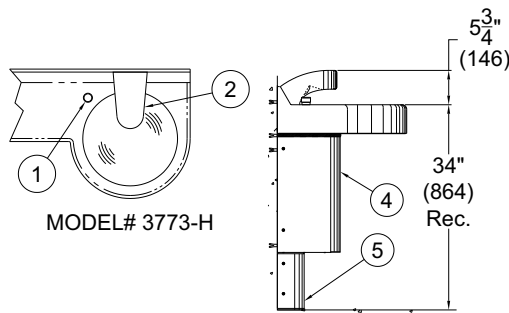
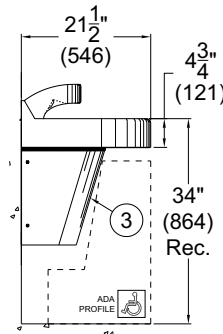
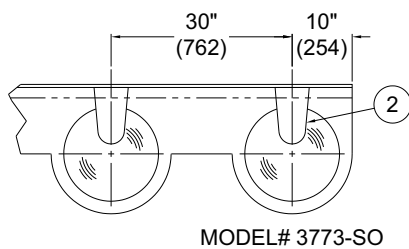
COUNTERTOP OPTIONS

- ECL Extended Countertop - Left Hand, Specify _____ (120" maximum overall width)
- ECR Extended Countertop - Right Hand, Specify _____ (120" maximum overall width)
- LSA Left Side Apron (Only Available with -ECL)
- LSS Left Side Splash (Only Available with -ECL)
- RSA Right Side Apron (Only Available with -ECR)
- RSS Right Side Splash (Only Available with -ECR)

PRODUCT OPTIONS

- JH 31" Junior Rim Height (Not ADA Compliant Except as -1-JH-SES)
- PDM Metering Liquid Soap Dispenser
- RLD Molded-in "D" Shape Corterra® Basin (Specify Punching for -9, Valve by Others)
 - H1 Single Hole; On Center
 - H24 4" Centerset; Two Holes
 - H34 4" Centerset; Three Holes
 - H38 8" Centerset; Three Holes
- SES Scalloped Enclosure Style
- SPX 16 Gage Stainless Steel Enclosure
- ST Single Temperature Valve
- VP Vinylclad Enclosure - Specify: Gray (Std.) Black White

Please visit www.acorneng.com for most current specifications.



NOTES:

- 1. -H Deck Mounted Pushbutton
- 2. Integral Spout
- 3. Optional -SES Scalloped Trap Enclosure
- 4. Standard Trap Enclosure
- 5. On-Floor, Toe-Kick, Pedestal

WARNING: Cancer and Reproductive Harm - www.P65Warnings.ca.gov

Important: Installation instructions and current rough-in are furnished with each fixture. Do not rough in without certified dimensions. Dimensions are subject to manufacturer's tolerance of plus or minus 1/4" and change without notice. Acorn assumes no responsibility for use of void or superseded data. © Copyright 2009 Acorn Engineering Company	
Selection Summary Model No. & Option _____ Quantity _____	Approved for Manufacturing Company _____ Title _____ Signature _____ Date _____