



Meridian® 3791 Series

Corterra® Kurve One-Station Washbasin - ADA/CBC Compliant



3791-LO-1-SO-DV-OCC11M

Fixture May Show Some Available Options

CONTROLS
INSIDE



Please visit www.acorneng.com for most current specifications.

Meridian® Corterra® Kurve One-Station Washbasin - ADA/CBC Compliant

Meridian® Kurve Washbasins are engineered to combine the look and feel of commercial-grade designer Basins and Countertops while maintaining vandal resistance with durable, long lasting, impact and stain resistant, certified Greenguard Gold Corterra® solid surface material. Each standard height Washbasin complies with ANSI, UFAS, ADA and CBC (Calif T24) requirements. Alternatively, the unit may be mounted at the height recommended for the appropriate age group to comply with ADA requirements for children.

Compliance is subject to the interpretation and requirements of the Local Code Authority.

Countertop, Basin and Sprayhead Shelf are constructed of Corterra® solid surface polymer resin. Sprayhead is fabricated of heavy gage type 304 stainless steel and includes vandal-resistant 0.5 GPM Flow Control Spray Nozzle. Basin includes Overflow, Grid Strainer, Waste piping and 1-1/2" P-Trap.

-H Hand Operation includes a Mixing Valve with Pushbutton operating Air-Control Metering Valve.

-SO Sensor Operation includes a Mixing Valve with Solenoid Valve activated by Infrared Sensor. A plug-in Transformer is included.

T/P Mixing Valve is ASSE 1070 compliant and delivers constant water flow by compensating for temperature and pressure fluctuations. Valve is to be field set to 105° Fahrenheit and includes Integral Checks and Screens to prevent cross-flow and contamination. Operating range is 30 PSI - 100 PSI.

Bottom Enclosure provided to conceal hot and cold Mixing Valve assembly and P-Trap. Enclosure Frame assembly and Panels are fabricated of heavy gage type 304 stainless steel with exposed surfaces polished to a satin finish. Bottom Enclosure has a top joggle that draws the Basin and Sprayhead assembly to the wall when engaged over it during installation. Wall requires adequate backing to support Washbasin.

-DV Gravity Type Soap Dispenser is optionally available for liquid and lotion type Soaps. Dispenser is mounted on the underside of the type 304 stainless steel Sprayhead assembly. The 1/2 gallon stainless steel Soap Reservoir is inside the Sprayhead with a top refill feature in the top shelf for ease of maintenance.

Unit Certification complies with IAPMO IGC 156, CSA B45 Series, ASME A112.18.1/CSA B125.1

Material Certification: Corterra® physical properties are in compliance with CSA B45.5/IAPMO Z124 and ANSI/ISCPA SS-1 and is GREENGUARD Gold certified.

GUIDE SPECIFICATION

Meridian® Corterra® Kurve One-Station Washbasin by Acorn (Specify model number and options). Unit with 34" standard height rim to conform with ANSI, UFAS, ADA and CBC (Calif T24) Accessibility Standards. Provide integral Basin with Integral, rear Overflow. Basin, Countertop and top Sprayhead Shelf Cover constructed of (Specify color) Corterra® solid surface polymer resin. Vandal-resistant Spray Nozzle shall be mounted onto the underside of the type 304 stainless steel Sprayhead assembly. Wall mounted Bottom Enclosure to be constructed of heavy gage, type 304 stainless steel. Basin and sprayhead assembly shall be held tight to the wall by engagement with joggle on the Bottom Enclosure. Operation: (Specify) Provide individual Solenoid Valve activated by Infrared Sensor with plug-in Transformer. Washbasin to be furnished complete with the following: ASSE 1070 Compliant Temperature Pressure Balancing Mixing Valve, Integral Checks, and 1-1/2" P-Trap.

Meridian® 3791: Corterra® Kurve One-Station Washbasin - ADA Compliant



BASE MODEL NUMBER (Must Specify)

- 3791 Meridian® Corterra® Kurve One-Station Washbasin

OFFSET (Must Specify)

- LO Left Offset
- RO Right Offset

FIXTURE MOUNTING & WASTE (Must Specify)

- 1 Off-Floor, Wall Outlet

OPERATION (Must Specify)

- H Hand Operation
- PPZ Programmable Piezo Button Electronic Metering
- PPZ-BAT Programmable Piezo Button, Battery Powered (Batteries not included)
- SO Sensor Operation
- SO-BAT Sensor Operation, Battery Powered (Batteries Not Included)

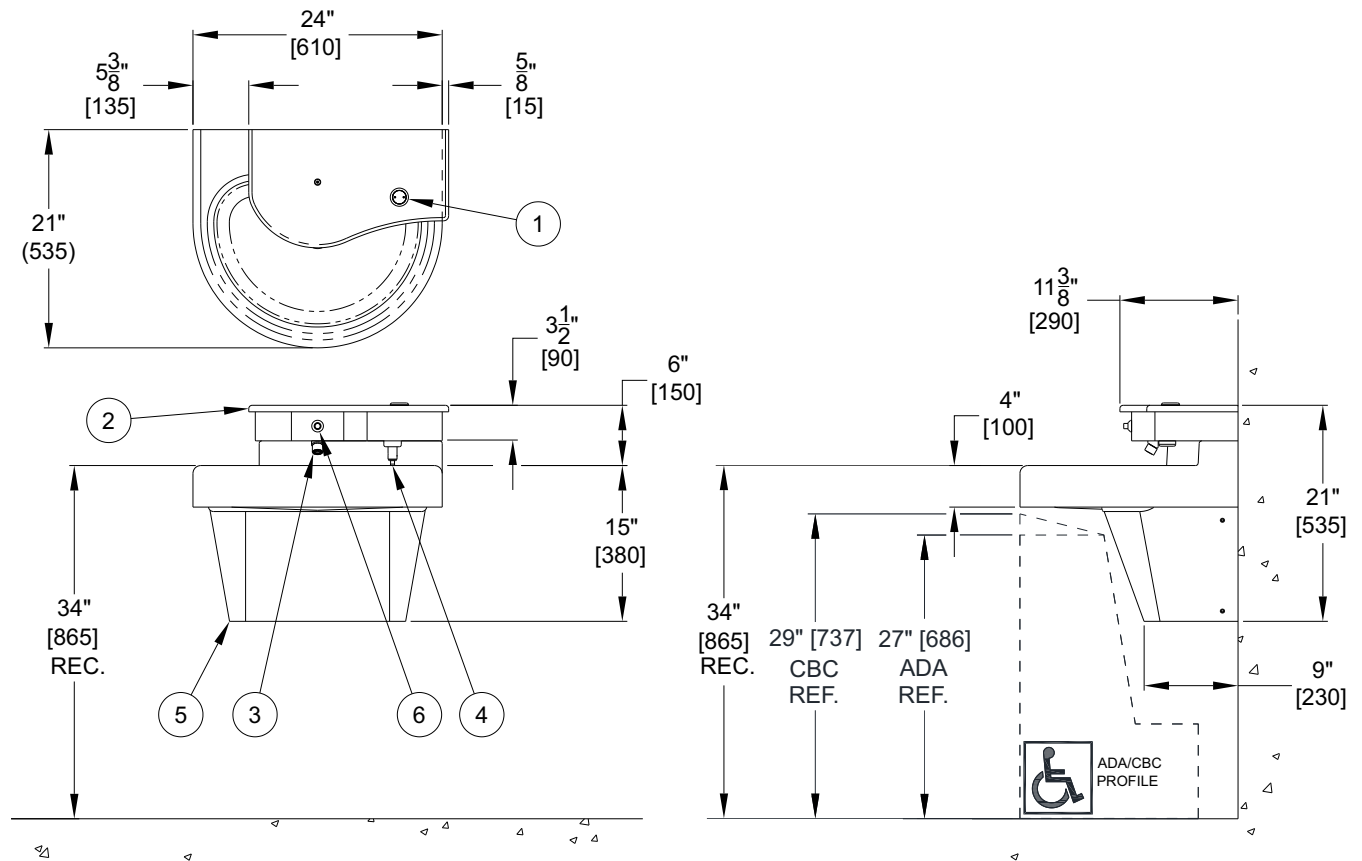
CORTERRA® COLOR OPTIONS (Must Specify)

Color: _____
 (Refer to <https://www.acorneng.com/corterra-solid-surface> for available colors)

PRODUCT OPTIONS

- DV Liquid/Lotion Soap Dispenser
- LWP Less Waste Piping
- ST Single Temperature Valve

Please visit www.acorneng.com for most current specifications.



NOTES:

- 1. Optional -DV Soap Filler
- 2. Removable Top Cover
- 3. Nozzle
- 4. Optional -DV Soap Dispenser
- 5. Removable Bottom Enclosure
- 6. -H Pushbutton Operation

MODEL# 3791-RO-1-H-DV

WARNING: Cancer and Reproductive Harm - www.P65Warnings.ca.gov

<p>Important: Installation instructions and current rough-in are furnished with each fixture. Do not rough in without certified dimensions. Dimensions are subject to manufacturer's tolerance of plus or minus 1/4" and change without notice. Acorn assumes no responsibility for use of void or superseded data. © Copyright 2009 Acorn Engineering Company</p>	
<p>Selection Summary</p> <p>Model No. & Option _____</p> <p>Quantity _____</p>	<p>Approved for Manufacturing</p> <p>Company _____ Title _____</p> <p>Signature _____ Date _____</p>