



Shower-Ware® 410B Series

Apex Type 1 Flush Mounted Showers



418B-W-RD

MGI CONTROLS INSIDE

US PATENTS - US 10,474,170 B2 & US D697,591



CSH-WSA Showerhead is
EPA WaterSense Certified

Please visit www.acorneng.com for most current specifications.

Apex Type 1 Flush Mounted Showers

Shower Panel is 18 gage, type 304 stainless steel with satin finish.

Control Valve type is indicated by selected Apex model number. Valves with removable Cartridges contain all wearing parts and are serviced from the face of the Shower for easy maintenance. Valves are tamper-resistant and may include easy to close mechanisms and low leverage Handles to protect the operating parts from excessive torque. Valves have flexible Hose supply connectors.

Showerhead is solid brass, triple chrome-plated and include built-in 1.6 GPM flow restrictor. The Acorn Logan Wizard Showerhead design provides self-cleaning with every use and has an adjustable spray pattern from a coarse stream to a fine mist.

Mounting Frame with Plaster Flange is mounted in wall and intended to be positioned so that the Shower Panel fits flush against the finished wall.

Specifier / Installer: Ensure Mounting Frame Plaster Flanges are coordinated with Wall type and construction details. Mounting Frames are optionally available Less Plaster Flanges (-LPF) when required to suit site conditions. Refer to Installation Instructions for complete details.

Fasteners necessary to complete the on-site Shower assembly are tamper-resistant and provided by Acorn; however, concealed wall fasteners or Anchor Shields are not furnished.

GUIDE SPECIFICATION

Provide and install Acorn Apex Flush Mounted Shower (specify model number and options). Shower Panel shall be 18 gage, type 304 stainless steel with satin finish. Valve shall have flexible Hose supply connectors. Showerhead shall be Acorn Logan Wizard with adjustable spray from a coarse stream to a fine mist. Installation shall be made in accordance with manufacturer's recommendations and details.

Shower-Ware®: 410B Apex Type 1 Flush Mounted Showers



MODEL NUMBER AND OPTIONS SELECTION

SERIES

4 Apex

TYPE

-1 Flush Mounted Shower

VALVE (Must Specify)

- 0 Electronic Valves, Single Temp Metering (Must Specify Type Where Indicated Below)
- 6 Air-Control, Single Temperature Metering
- 8 T/P Temperature-Pressure Balancing Mixing Valve With Patented Ligature Resistant Tri-Lever Handle (ASSE 1016 Compliant)

SUPPLY

-W Wall

ELECTRONIC VALVE SELECTION

Master-Trol® (Electronic)

- EVS1 Single Temp
- EVSP1 Single Temp, Piezo Button

Master-Trol® PLUS (Electronic)

- MTP1 Single Temp
- MTPP1 Single Temp, Piezo Button

Time-Trol® (Electronic)

- MVC1 Single Temp

Programmable (Electronic) w/9VDC Plug-In Transformer

- PPZ1 Single Temp Programmable Piezo Button

VALVE OPTIONS

- CI Cycle Interrupt for Time-Trol Valves
- LVR Lever Handle (-8 Valve)
- MV Metering Valve in Riser (Air-Control)
- PBH Hemispherical Pushbutton (-6 Valve or -MV)
- TF Transformer, 120VAC to 24VAC (-MVC option only)

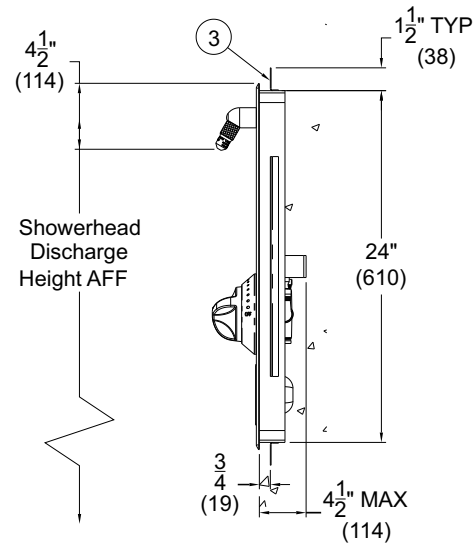
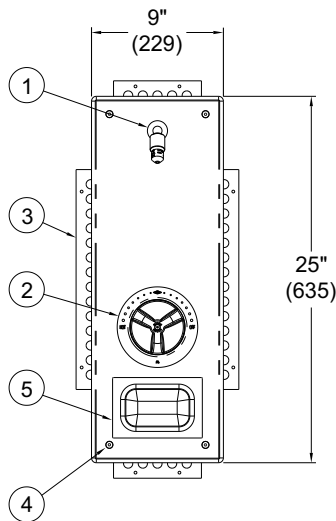
SHOWERHEAD OPTIONS

- CSH Conical Showerhead (Ligature Resistant)
- CSH-WSA WaterSense 1.5 GPM Conical Showerhead (Ligature Resistant)
- F Flow Control
 - 2.0 GPM (Not Available For Use in California) (In Lieu of Conventional Showerhead)
- FX Handheld Shower With 60" Stainless Steel Hose (In Lieu of Conventional Showerhead)
 - QD Quick-Disconnect
 - PSO-QD w/ Positive Shut-Off
- MSH Multi-Stream Showerhead
- P Penal Showerhead
- Y Universal Ball Joint
- YY Lockable Universal Ball Joint

PRODUCT OPTIONS

- BS Built-in Liquid Soap System
- D Surface Mounted Soap Dish
- EG Enviro-Glaze, Specify Color: _____
- LPF Less Plaster Flange on Mounting Frame
- GR24 24" Glide Rail (For -FX Handheld Shower. Shipped Loose for Wall Mounting)
- RD Recessed Soap Dish

Please visit www.acorneng.com for most current specifications.



MODEL# 418B-W-RD

NOTES:

1. Showerhead
2. T/P Valve w/ Standard Patented Tri-Lever Handle
3. Wall Mounting Frame w/ Plaster Flange
4. Tamper Resistant Fasteners
5. Optional -RD Recessed Soap Dish Shown

WARNING: Cancer and Reproductive Harm - www.P65Warnings.ca.gov

Important: Installation instructions and current rough-in are furnished with each fixture. Do not rough in without certified dimensions. <small>Dimensions are subject to manufacturer's tolerance of plus or minus 1/4" and change without notice. Acorn assumes no responsibility for use of void or superseded data. © Copyright 2007 Acorn Engineering Company</small>	
<p style="text-align: center;">Selection Summary</p> <p>Model No. & Option _____</p> <p>Quantity _____</p>	<p style="text-align: center;">Approved for Manufacturing</p> <p>Company _____ Title _____</p> <p>Signature _____ Date _____</p>