



Shower-Ware® 420B Series

Apex Type 2 Corner-Mounted Showers



428B-W-RD

Fixture May Show Some Available Options

- Patented D697,591
- © Acorn Engineering Co.

Please visit www.acorneng.com for most current specifications.

Apex Type 2 Corner-Mounted Showers

Housing is 18 gage, type 304 stainless steel with satin finish.

Control Valve type is indicated by selected Apex model number. Valves with removable cartridges contain all wearing parts and are serviced from the face of the shower for easy maintenance. Valves are tamper resistant and may include easy to close mechanisms and low leverage handle to protect the operating parts from excessive torque. Valves have flexible hose supply connectors.

Showerhead is solid brass, triple chrome-plated and include built-in 1.6 GPM flow restrictor. The Acorn Logan Wizard Showerhead design provides self-cleaning with every use, and has an adjustable spray pattern from a coarse stream to a fine mist.

Frame of shower is mounted in corner and the face plate fits flush against the corner walls.

Fasteners. Acorn furnishes all exposed tamper-resistant fasteners necessary to complete the on-site shower assembly; however, concealed wall fasteners or anchor shields are not furnished.

GUIDE SPECIFICATION

Provide and install Acorn Apex Corner-Mounted Showers (specify model numbers and options). Housing shall be 18 gage, type 304 stainless steel with satin finish. Valve shall have flexible hose supply connectors. Showerhead shall be Acorn Logan Wizard with adjustable spray from a coarse stream to a fine mist. Installation shall be made in accordance with manufacturer's recommendations and details.

Shower-Ware®: 420B Apex Type 2 Corner-Mounted Showers



Showerhead Discharge Height (Not Part of Model Number)

- 6'-0" 5'-6" 5'-0" Other (Specify) _____

MODEL NUMBER AND OPTIONS SELECTION

SERIES (Must Specify)

- 4 Apex

TYPE (Must Specify)

- 2 Corner-Mounted Showers

VALVE (Must Specify)

- 0 Electronic Valves, Single-Temp Metering
- 1 Flo-Cloz, H & C
- 5 Flo-Cloz, Single Temperature
- 6 Air-Control, Single Temperature Metering
- 7 Meter-Matic, Single Temperature Metering
- 8 T/P Temperature-Pressure Balancing Mixing Valve With Patented Ligature Resistant Tri-Lever Handle (ASSE 1016 Compliant)
- 9 Without Valves (Valves by Others)

ELECTRONIC VALVE SELECTION

Master-Trol® (Electronic)

- EVS1 Single Temp
- EVSP1 Single Temp, Piezo Button

Master-Trol® PLUS (Electronic)

- MTP1 Single Temp
- MTPP1 Single Temp, Piezo Button

Time-Trol® (Electronic)

- MVC1 Single Temp

Programmable (Electronic) w/9VDC Plug-In Transformer

- PPZ1 Single Temp Programmable Piezo Button

SUPPLY (Must Specify)

- T Top
- W Wall

VALVE OPTIONS

- CI Cycle Interrupt for Time-Trol Valves
- G Individual Stops (Flo-Cloz & Meter-Matic Only)
- LVR Lever Handle (-5 & -8 Valves)
- MV Metering Valve in Riser (Air-Control)
- PBH Hemispherical Pushbutton
- TF Transformer, 120VAC to 24VAC (-MVC option only)

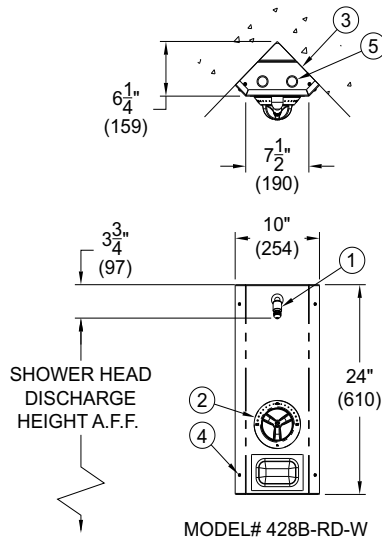
SHOWERHEAD OPTIONS

- CSH Conical Showerhead (Ligature Resistant)
- F Flow Control
 - 2.0 GPM (After July 1, 2018, This Option Will No Longer Be Available For Use in California)
- FX Hand Shower With 60" Stainless Steel Hose (In Lieu of Conventional Showerhead)
 - QD Quick Disconnect
 - POS-QD w/ Positive Shut Off
- MSH Multi-Stream Showerhead
- P Penal Showerhead
- WS Without Showerhead
- Y Universal Ball Joint
- YY Lockable Universal Ball Joint

PRODUCT OPTIONS

- BS Built-in Liquid Soap System
- D Soap Dish
- EG Enviro-Glaze, Specify Color: _____
- FG 14 Gage Material Construction
- MS Modular Privacy Compartments (See Diana Privacy Tab)
- RD Recessed Soap Dish
- SB 24" Slide Bar (For -FX Hand Shower)
- SC Supply Cover, Ceiling Height _____
- SLPB Sloping Bottom
- SLPT Sloping Top

Please visit www.acorneng.com for most current specifications.



NOTES:

1. Shower Head
2. T/P Valve w/ Standard Patented Tri-Lever Handle
3. Wall Mounting Frame
4. Tamper Resistant Fasteners
5. Top Supply Hole Plugs

WARNING: Cancer and Reproductive Harm - www.P65Warnings.ca.gov

<p>Important: Installation instructions and current rough-in are furnished with each fixture. Do not rough in without certified dimensions. Dimensions are subject to manufacturer's tolerance of plus or minus 1/4" and change without notice. Acorn assumes no responsibility for use of void or superseded data. © Copyright 2006 Acorn Engineering Company</p>	
<p style="text-align: center;">Selection Summary</p> <p>Model No. & Option _____</p> <p>Quantity _____</p>	<p style="text-align: center;">Approved for Manufacturing</p> <p>Company _____ Title _____</p> <p>Signature _____ Date _____</p>