



## Shower-Ware® 521 Series

Zenith Exposed Supply Showers



521

Fixture May Show Some Available Options

Please visit [www.acorneng.com](http://www.acorneng.com) for most current specifications.

### Zenith Exposed Supply Showers

**Shower** consists of an exposed control valve and showerhead. They are particularly suited for individual applications where piping cannot be concealed within the wall. Zenith Exposed Flo-Cloz Valve and showerhead combinations feature the utmost in service desirability.

**Piping.** When an exposed control valve is specified together with a showerhead, a 17-1/4" riser from the valve to the showerhead and 25-1/4" long supply risers are supplied. Risers are 1/2" chrome-plated brass pipe. When valve or showerhead is specified separately, risers are not included.

**Control Valve** is heavy cast bronze and all wearing parts are contained in a replaceable cartridge. Exposed surfaces are either polished stainless steel or triple chrome-plated. All exposed fasteners are tamper-resistant.

**Shower Head** is an Acorn Logan Wizard Showerhead with square mounting flange and is regularly furnished drilled with stainless steel tamper-resistant screws and 1.6 GPM flow restrictor.

### GUIDE SPECIFICATION

Provide and install Acorn Zenith Exposed Supply Shower (specify model number and options). Valve body and showerhead shall be solid brass with all exposed parts triple chrome-plated or polished stainless steel. Valve shall be (indicate model number and type of control valve). Showerhead shall be provided with a 17-1/4" chrome-plated riser from the valve to the showerhead and 25-1/4" long supply risers. Risers shall have 1/2" chrome-plated brass pipe. Shower shall be provided with the following optional equipment: (example -F Flow Control, -G Individual Stops).

# Shower-Ware®: 521 Zenith Exposed Supply Showers



## MODEL NUMBER AND OPTIONS SELECTION

### SERIES (Must Specify)

5 Zenith

### SUPPLY (Must Specify)

-2 Exposed Supply

### VALVE (Must Specify)

-1 Flo-Cloz, H & C  
 -5 Flo-Cloz, Single Temperature

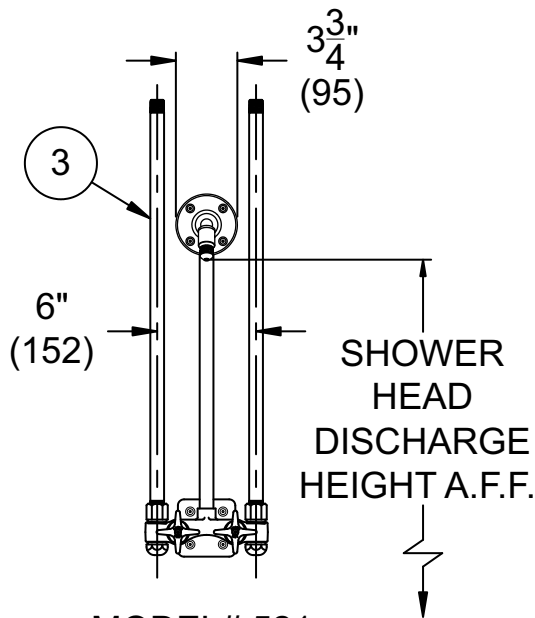
## SHOWERHEAD OPTIONS

- F Flow Control
  - 2.0 GPM (After July 1, 2018, This Option Will No Longer Be Available For Use in California)
- MSH Multi-Stream, Ball Joint Shower Head
- P Penal Shower Head
- Y Universal Ball Joint
- YY Lockable Universal Ball Joint

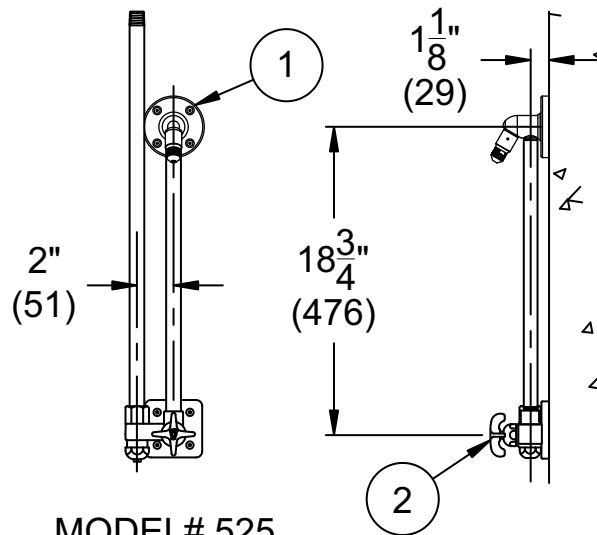
## PRODUCT OPTIONS

- D Soap Dish
- G Individual Stops

Please visit [www.acorneng.com](http://www.acorneng.com) for most current specifications.



MODEL# 521



MODEL# 525

### NOTES:

- 1. Flanged Showerhead
- 2. Valve Control Handle
- 3. Supply Riser Pipe

**WARNING:** Cancer and Reproductive Harm - [www.P65Warnings.ca.gov](http://www.P65Warnings.ca.gov)

<p><b>Important:</b> Installation instructions and current rough-in are furnished with each fixture. Do not rough in without certified dimensions. Dimensions are subject to manufacturer's tolerance of plus or minus 1/4" and change without notice. Acorn assumes no responsibility for use of void or superseded data. © Copyright 2004 Acorn Engineering Company</p>	
<p style="text-align: center;">Selection Summary</p> <p>Model No. &amp; Option _____</p> <p>Quantity _____</p>	<p style="text-align: center;">Approved for Manufacturing</p> <p>Company _____ Title _____</p> <p>Signature _____ Date _____</p>