



ACORN SAFETY
P.O. BOX 3527
CITY OF INDUSTRY, CA 91744-0527
UNITED STATES OF AMERICA
WWW.ACORNSAFETY.COM

INSTALLATION, OPERATION AND MAINTENANCE INSTRUCTIONS

PEDESTAL EYE/FACEWASH



Models S0310 / S0320 / S0330 / S0340 / S0330-AS / S0340-AS

TECHNICAL ASSISTANCE TOLL FREE TELEPHONE NUMBER

1.800.591.9360

TECHNICAL ASSISTANCE FAX: 1.626.855.4894

NOTES TO THE INSTALLER:

- 1. Please leave this documentation with the owner of the fixture when finished.**
- 2. Please read this entire booklet before beginning the installation.**
- 3. Check your installation for compliance with plumbing, electrical, ANSI Z358.1 and other applicable codes.**

LIMITED WARRANTY

UNITED STATES AND CANADA

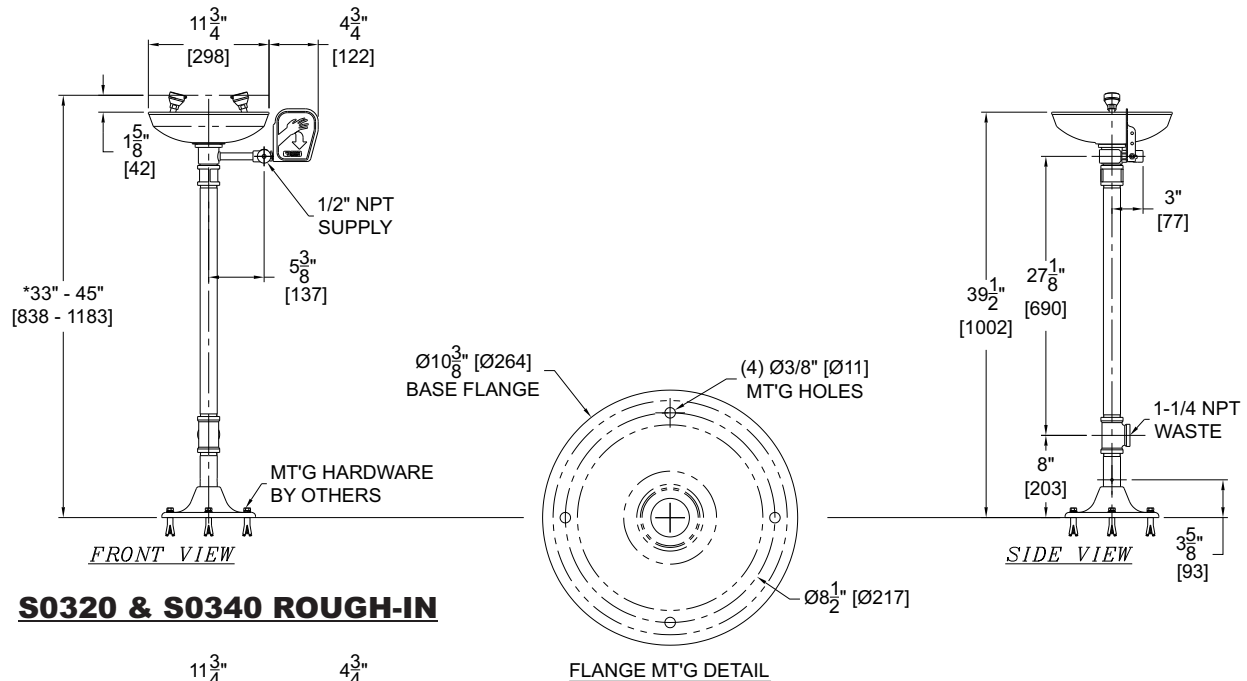
Acorn Safety warrants that its products are free from defects in material or workmanship under normal use and service for a period of one year from date of shipment or 18 months after the date of shipment from factory, whichever comes first. Acorn's liability under this warranty shall be discharged solely by replacement or repair of defective material, provided Acorn is notified in writing within one year from date of shipment, F.O.B. Industry, California.

This warranty does not cover installation or labor charges and does not apply to materials, which have been damaged by other causes such as mishandling or improper care or abnormal use. The repair or replacement of the defective materials shall constitute the sole remedy of the Buyer and the sole remedy of Acorn under this warranty. Acorn shall not be liable under any circumstances for incidental, consequential or direct charges caused by defects in materials, or any delay in the repair or replacement thereof. This warranty is in lieu of all other warranties expressed or implied. Product maintenance instructions are issued with each unit and disregard or non-compliance with these instructions will constitute an abnormal use condition and void the warranty. Stainless steel must be protected on job sites during construction and must be properly maintained after the water has been introduced into the safety product or Acorn's warranty is void.

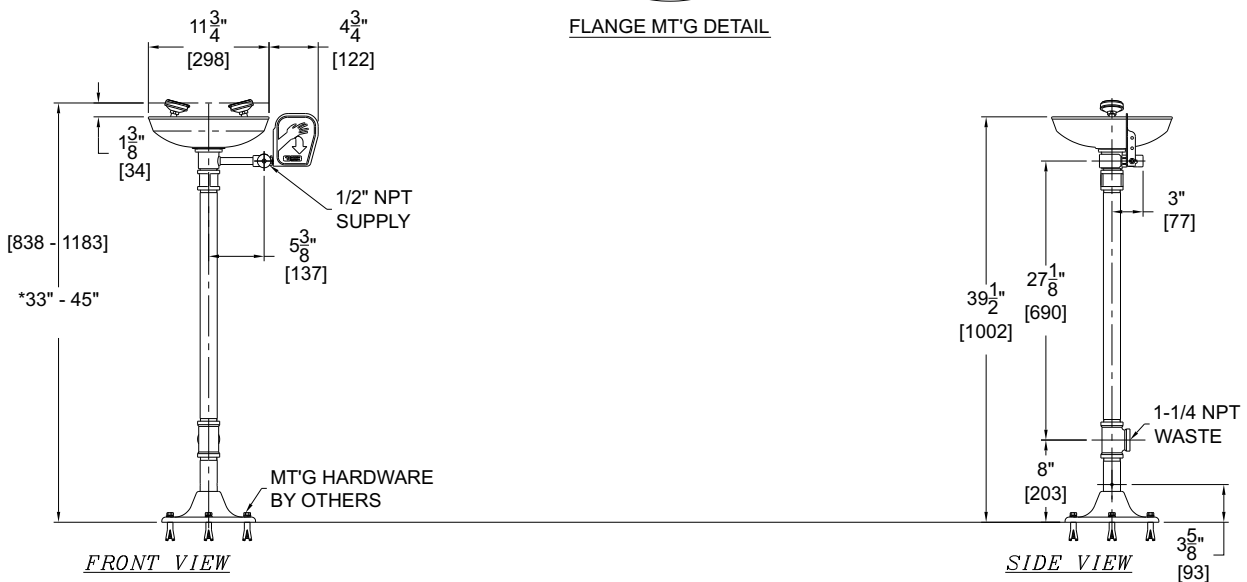
PRELIMINARY STEPS

1. Read the installation instructions prior to beginning the installation.
2. Separate parts from packaging and verify all necessary parts are accounted for and undamaged. Obtain missing or damaged parts from Acorn Safety prior to beginning installation.
3. Flush water supply lines prior to installation. This will remove unwanted debris from the lines and prevent unwanted blockages in the safety equipment.
4. In order to comply with ANSI Z358.1, the safety equipment must be inspected periodically. An inspection tag is provided for documentation purposes.
5. All employees at risk of contamination should be informed and trained in the use of this and any other safety equipment. The signage provided should be highly visible, posted in a well-lit area within the area served by the safety station.

S0310 & S0330 ROUGH-IN



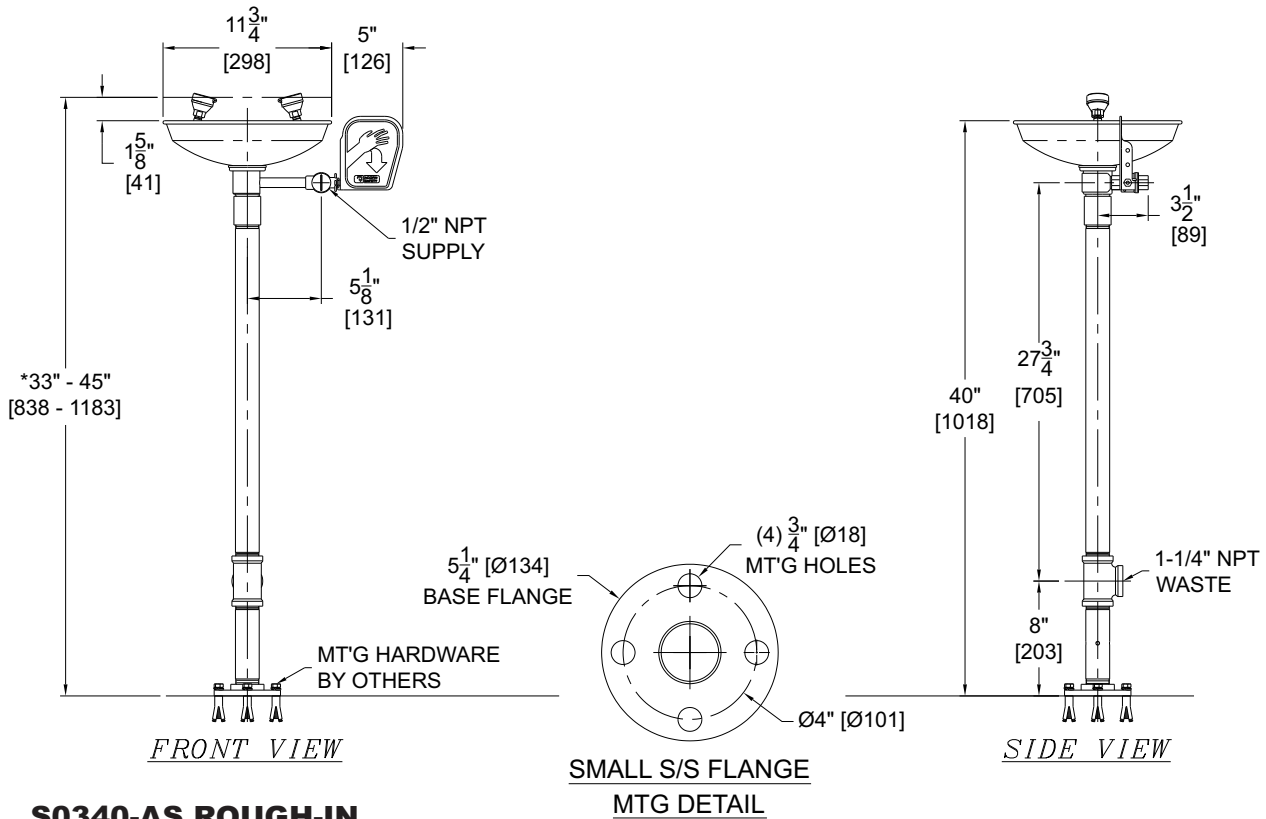
S0320 & S0340 ROUGH-IN



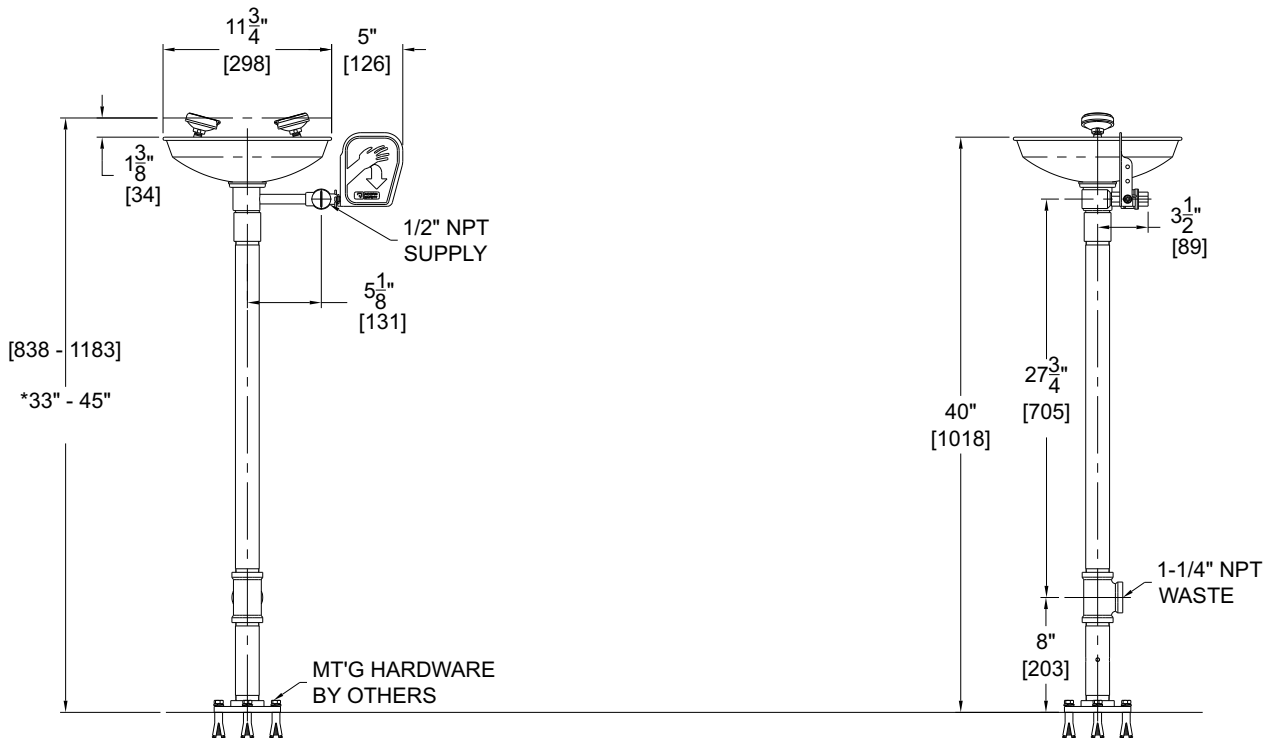
GENERAL NOTES:

1. ALL DIMENSIONS ARE IN INCHES [MM].
2. REFER TO ADA FOR CLEAR FLOOR/GROUND SPACE AND APPROACH REQUIREMENTS.
- *3. ANSI Z358.1 REQUIRES NOZZLES TO BE MOUNTED BETWEEN 33" - 45" [838 - 1183] ABOVE THE FINISHED FLOOR.
4. ANSI Z358.1 REQUIRES A MINIMUM DISTANCE OF 6" [152] FROM ANY WALL OR OBSTRUCTION.

S0330-AS ROUGH-IN



S0340-AS ROUGH-IN



GENERAL NOTES:

1. ALL DIMENSIONS ARE IN INCHES [MM].
2. REFER TO ADA FOR CLEAR FLOOR/GROUND SPACE AND APPROACH REQUIREMENTS.
- *3. ANSI Z358.1 REQUIRES NOZZLES TO BE MOUNTED BETWEEN 33" - 45" [838 - 1183] ABOVE THE FINISHED FLOOR.
4. ANSI Z358.1 REQUIRES A MINIMUM DISTANCE OF 6" [152] FROM ANY WALL OR OBSTRUCTION.

INSTALLATION INSTRUCTIONS:

Supplies required: (not provided by Acorn)

1. Floor fastener anchors, washers and bolts.
2. Pipe Sealant or Teflon tape for sealing water connections.

IMPORTANT: FLUSH WATER SUPPLY LINES PRIOR TO CONNECTION TO SAFETY EQUIPMENT

NOTES:

- Top of spray nozzles must be between 33"- 45" from finished floor in order to meet ANSI Z358.1
- Use hand tools and wrenches in a manner which will prevent marring finished surfaces. Strap wrenches or tools with plastic jaw linings are highly recommended.
- Refer to Rough-in for location of supply and drain lines.
- Fragments of Teflon tape or pipe sealant residue can interfere with the proper operation of this unit. Ensure pipe sealant methods do not cause contamination in the system.

STEP ONE: MOUNTING

1. Provide a minimum clearance of 9" from left or rear wall to center of assembly. Provide a minimum clearance of 11" from right wall to center of assembly.
2. While holding the assembly in position, mark floor flange mounting hole positions.
3. Remove assembly and install appropriate floor anchors to receive mounting bolts (supplied by others).
4. Re-position assembly and install mounting bolts and washers.

STEP TWO: DRAIN LINE

1. Install sanitary drain line (supplied by others), if not already done, in a position which will align with 1 1/4" NPT female tee as identified in rough-in.
2. Install necessary pipe and fittings (supplied by others) to make connection to the 1 1/4" NPT waste tee with drain line.

STEP THREE: SUPPLY LINE

1. Install water line (supplied by others), in position to align with 1/2" ball valve as shown in Rough-in.
2. Make connection to 1/2" NPTF ball valve with appropriate fittings (supplied by others).

NOTE: LARGE FITTINGS NEED TO BE AVOIDED IN THE AREA AS SHOWN IN THE FIGURE TO THE RIGHT, TO AVOID INTERFERENCE WITH VALVE PADDLE.

3. Open water supply.
4. Test for leaks, proper operation and flow.

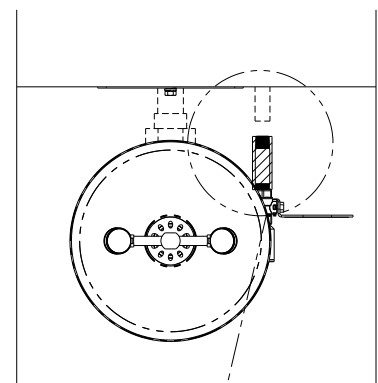
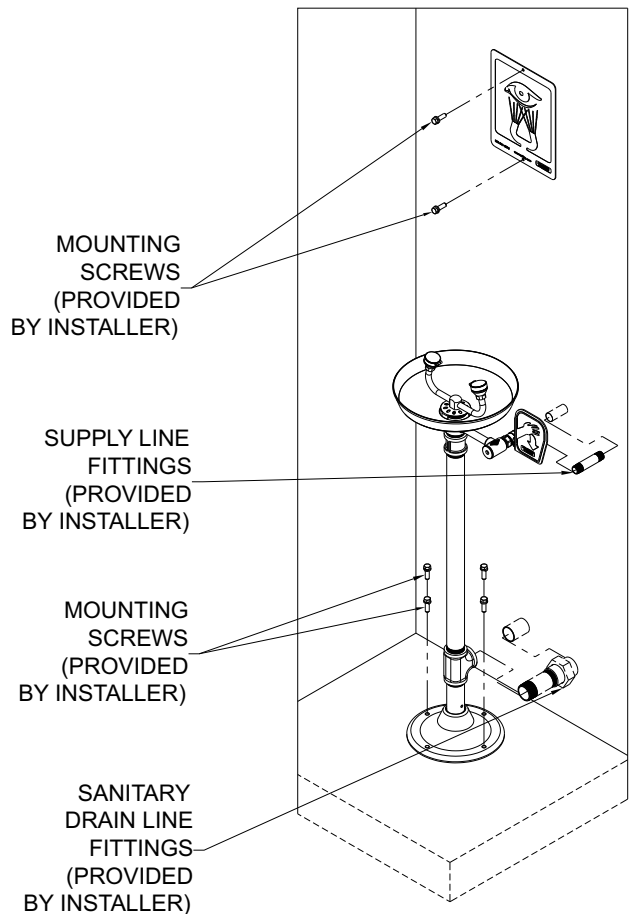
STEP FOUR: SIGNAGE & INSPECTION

1. Position sign with clear visibility, in close proximity to safety equipment and mark mounting hole locations.
2. Select appropriate 1/4" anchors, screws and washers (supplied by others) to install signage.
3. Attach inspection tag supplied, with plastic zip tie.

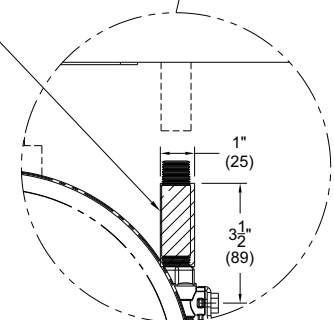
OPERATION:

Fixture includes a hand operated supply valve and eye/face wash spray heads.

1. Push hand paddle to fully "ON" position. Water will immediately flow popping caps off eye/face wash spray heads and dispensing flushing fluid.
2. Flush eye and/or face thoroughly.
3. To cease operation, turn hand paddle to fully "OFF" position.
4. Return eye/face wash spray head caps to closed position.



AVOID INSTALLATION OF PIPE OR FITTINGS OVER 1" DIA. IN THIS ZONE TO PREVENT INTERFERENCE WITH PADDLE ACTIVATION.



OPERATION INSTRUCTIONS:

Employees who work with hazardous materials should become familiar with the location and operation of the nearest emergency plumbing fixture. Emergency plumbing fixtures stations are simple to use and require hands free operation once the station is activated. Regular instruction regarding proper care and use will increase confidence that the units are accessible and function properly.

The route and area surrounding the Eye Wash should be clear and unobstructed; the sooner eyes are flushed, the less likelihood of damage. Eye Wash stations should be located in close proximity to the hazard and take no more than 10 seconds to reach. In the case of severe eye contamination the victim may require assistance to the Eye Wash station and help flushing their eyes.

Safety plumbing fixture equipment should be operated weekly for a period long enough to verify operation, clear the supply line of any sediment build-up and minimize microbial contamination due to sitting water.

1. To start the Eye Wash, swing spray nozzle assembly over the basin and push the paddle forward to the horizontal or fully "ON" position. Flushing should start, popping the spray nozzle caps open.
2. Lower both eyes into flow. Both eyes should be flushed to prevent contamination from one eye from being delivered to unaffected eye. Personnel who wear contact lenses should remove them immediately prior to or during the flush to prevent the contamination from remaining against the cornea possibly causing unnecessary damage or pain.
3. Using thumb and forefingers, fully open eyelids and flush eyes thoroughly for approximately 15 minutes or until medical personnel arrive. Be prepared to let the doctor know what type of contamination has entered the eye.
4. When finished return the push paddle to the vertical or fully "OFF" position and return spray nozzle assembly to standby position. Flushing fluid should stop. Once flushing fluid has stopped flowing, return spray nozzle lids to the closed position to protect from airborne contaminants.

MAINTENANCE GUIDE:

Maintain and inspect in accordance with ANSI Z358.1-2009

1. Check for obvious signs of wear, broken or defective equipment. Re-paint if necessary. Replace missing or defective equipment such as broken push paddles, missing signs and inspection tags.
2. Remove strainer and washout any debris collected –replace as required.
3. Operate Eye Wash nozzles using the push paddle to place ball valve in the fully "ON" position checking for smooth operation of valve push paddle mechanism at the same time ensuring that the Eye Wash spray nozzle caps pop off immediately when actuated. If the ball valve does not operate smoothly check the actuating assembly for binding or missing parts. If the

Eye Wash spray nozzle caps do not pop off immediately when actuated check for correct supply inlet pressure.

4. While in operation, inspect spray nozzles for clogs or debris correct or replace as required.
5. Return push paddle to vertical or fully "OFF" position and swing back to stand by position. To prevent Eye Wash spray nozzles from becoming contaminated, always close nozzle lids after each use.

PARTS LIST

ITEM #	PART NUMBER	DESCRIPTION
1	7101-100-001	EYE WASH ASSY
	7101-104-001	FACEWASH ASSY
	7101-057-001	EYE WASH ASY w/ S/S LID
	7101-058-001	FACEWASH ASSY w/ S/S LID
	7101-112-001	S/S EYE WASH ASSY
2	7101-003-001	STEEL CHROMED YOKE ASSY
	7101-404-001	STAINLESS YOKE ASSY
3	7100-108-000	BOWL STRAINER
4	7101-005-000	EYEWASH PLASTIC BOWL - YELLOW
	7101-008-000	EYE WASH STEEL BOWL
5	7101-048-000	GASKET, PLASTIC BOWL
	7101-046-000	GASKET, STEEL BOWL
6	7101-030-022	PEDESTAL SUB ASSY - YELLOW
	7101-073-001	DRAIN FITTING, STAINLESS STEEL
7	7101-049-000	3/8" CHROME PLATED NIPPLE
	7101-045-000	3/8" NPT STAINLESS STEEL NIPPLE
8	7100-401-000	EYE/FACE WASH SERVICE TAG
9	7100-140-001	BRASS STRAINER ASSY - CHROME
	7101-075-001	STAINLESS STEEL STRAINER ASSY
10	7101-205-001	1/2" CHROME VALVE SUB ASSY
	7101-210-001	1/2" S/S VALVE SUB ASSY
11	7101-030-022	PESESTAL SUB ASSY - YELLOW
12	7101-031-022	LOWER PEDESTAL SUB ASSY - YELLOW
	7101-406-001	LOWER PEDESTAL ASSY - S/S

