



ACORN SAFETY  
P.O. BOX 3527  
CITY OF INDUSTRY, CA 91744-0527  
**UNITED STATES OF AMERICA**  
[WWW.ACORNSAFETY.COM](http://WWW.ACORNSAFETY.COM)

## **INSTALLATION, OPERATION AND MAINTENANCE INSTRUCTIONS**

### **HORIZONTALLY MOUNTED SHOWER HEAD**



**Models: S1200 / S1200-PR60 / S1200-BF-PR60**

### **TECHNICAL ASSISTANCE TOLL FREE TELEPHONE NUMBER**

**1.800.591.9360**

**TECHNICAL ASSISTANCE FAX: 1.626.855.4894**

#### **NOTES TO THE INSTALLER:**

- 1. Please leave this documentation with the owner of the fixture when finished.**
- 2. Please read this entire booklet before beginning the installation.**
- 3. Check your installation for compliance with plumbing, electrical, ANSI Z358.1 and other applicable codes.**

#### **LIMITED WARRANTY**

##### **UNITED STATES AND CANADA**

Acorn Safety warrants that its products are free from defects in material or workmanship under normal use and service for a period of one year from date of shipment or 18 months after the date of shipment from factory, whichever comes first. Acorn's liability under this warranty shall be discharged solely by replacement or repair of defective material, provided Acorn is notified in writing within one year from date of shipment, F.O.B. Industry, California.

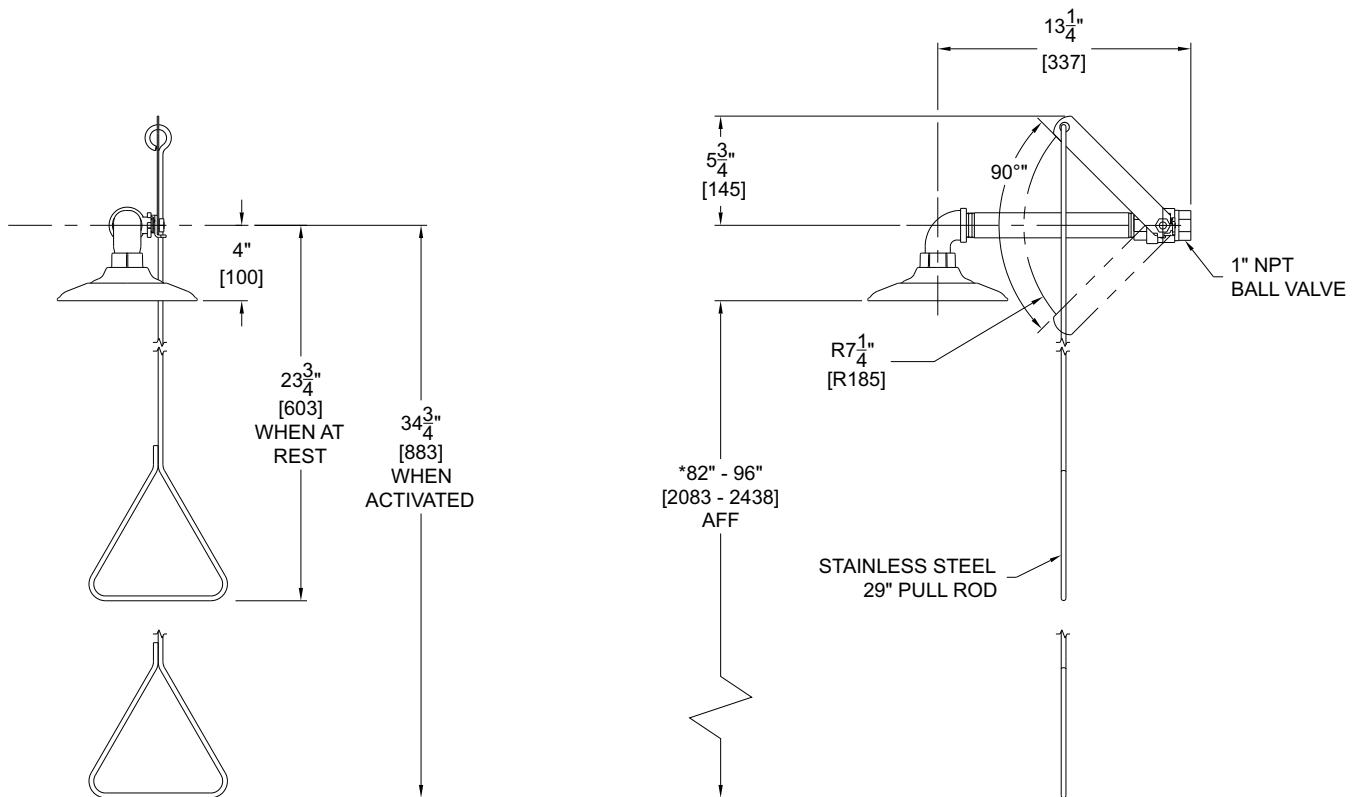
This warranty does not cover installation or labor charges and does not apply to materials, which have been damaged by other causes such as mishandling or improper care or abnormal use. The repair or replacement of the defective materials shall constitute the sole remedy of the Buyer and the sole remedy of Acorn under this warranty. Acorn shall not be liable under any circumstances for incidental, consequential or direct charges caused by defects in materials, or any delay in the repair or replacement thereof. This warranty is in lieu of all other warranties expressed or implied. Product maintenance instructions are issued with each unit and disregard or non-compliance with these instructions will constitute an abnormal use condition and void the warranty. Stainless steel must be protected on job sites during construction and must be properly maintained after the water has been introduced into the safety product or Acorn's warranty is void.

**PRELIMINARY STEPS**

1. Read the installation instructions prior to beginning the installation.
2. Separate parts from packaging and verify all necessary parts are accounted for and undamaged. Obtain missing or damaged parts from Acorn Safety prior to beginning installation.
3. Flush water supply lines prior to installation. This will remove unwanted debris from the lines and prevent unwanted blockages in the safety equipment.
4. In order to comply with ANSI Z358.1, the safety equipment must be inspected periodically. An inspection tag is provided for documentation purposes.
5. All employees at risk of injury/contamination should be informed and trained in the use of this and any other safety equipment. The signage provided should be highly posted in a well-lit area within the area served by the safety station.

**ROUGH-IN**

**S1200**

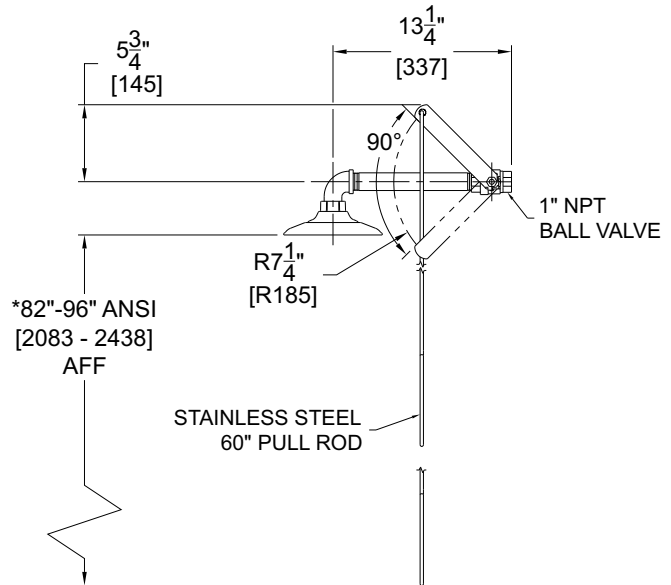
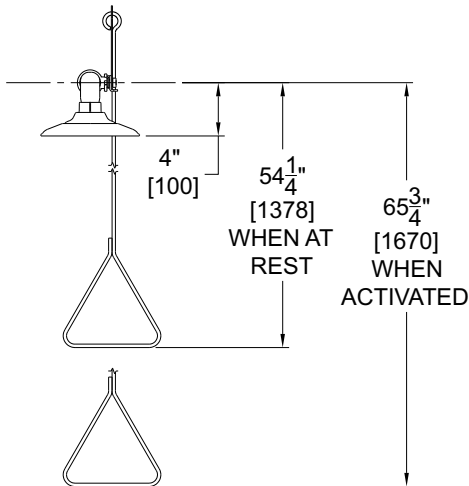


GENERAL NOTES:

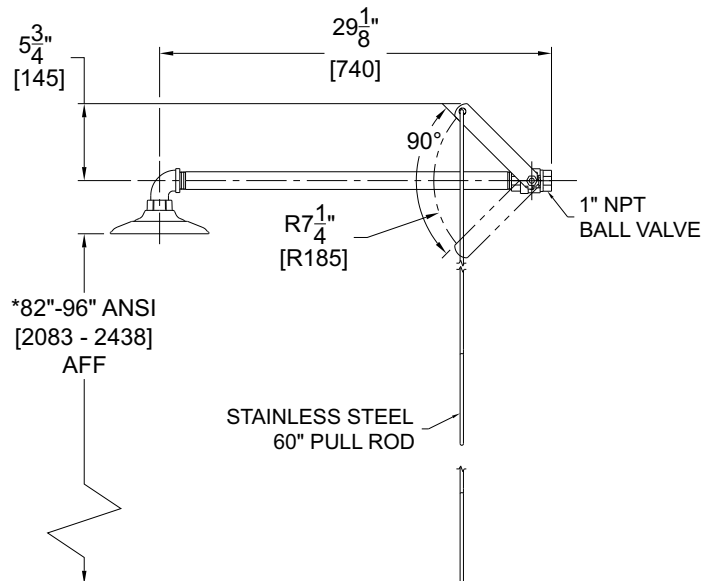
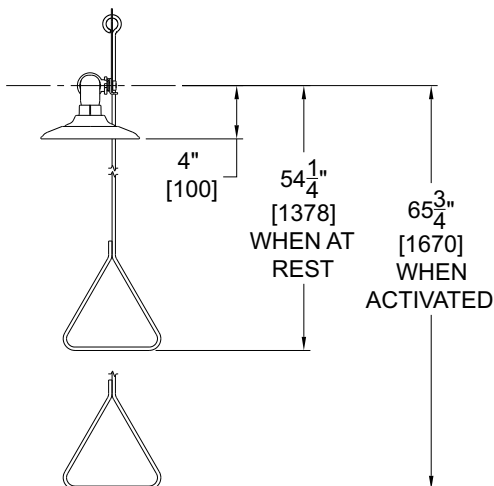
1. ALL DIMENSIONS ARE IN INCHES [MM].
2. REFER TO ADA FOR CLEAR FLOOR/GROUND SPACE AND APPROACH REQUIREMENTS.
- \*3. ANSI Z358.1 REQUIRES SHOWER HEAD TO BE MOUNTED BETWEEN 82" - 96" [2083 - 2438] ABOVE THE FINISHED FLOOR.
4. ANSI Z358.1 REQUIRES A MINIMUM DISTANCE OF 16" [406] FROM WALL OR OBSTRUCTION.

**ROUGH-IN**

**S1200-PR60**



**S1200-BF-PR60**



**GENERAL NOTES:**

1. ALL DIMENSIONS ARE IN INCHES [MM].
2. REFER TO ADA FOR CLEAR FLOOR/GROUND SPACE AND APPROACH REQUIREMENTS.
- \*3. ANSI Z358.1 REQUIRES SHOWER HEAD TO BE MOUNTED BETWEEN 82" - 96" [2083 - 2438] ABOVE THE FINISHED FLOOR.
4. ANSI Z358.1 REQUIRES A MINIMUM DISTANCE OF 16" [406] FROM WALL OR OBSTRUCTION.

**INSTALLATION INSTRUCTIONS:**

**Supplies required: (not provided by Acorn)**

1. Wall fasteners for signage mounting.
2. Pipe sealant or Teflon tape for sealing water connections.
3. Pipe hangers, if necessary.

**IMPORTANT: FLUSH WATER SUPPLY LINES PRIOR TO CONNECTION TO SAFETY EQUIPMENT.**

**Notes:**

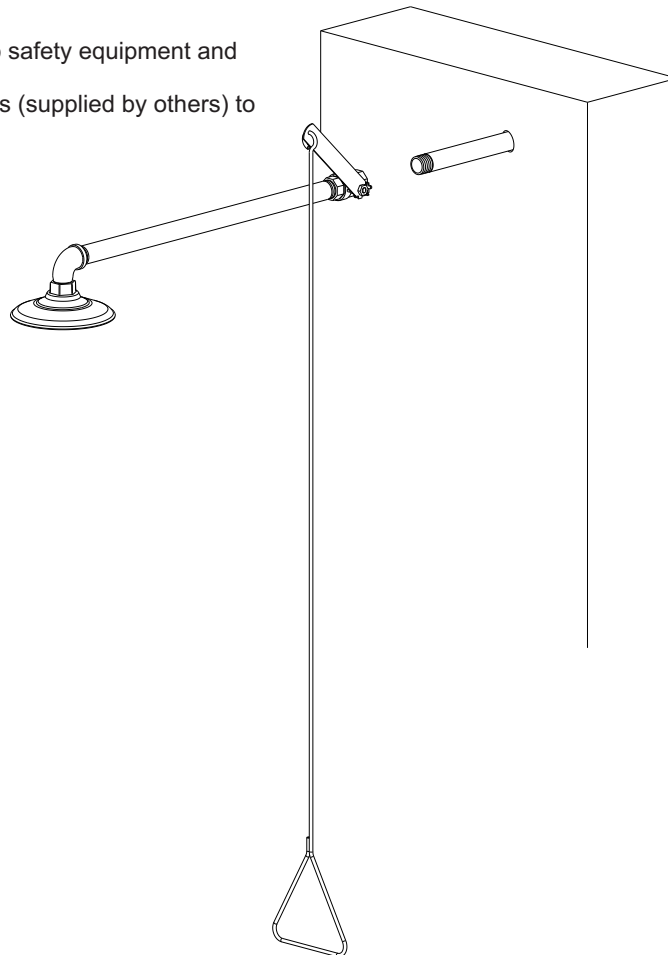
- Bottom of shower head (shower head rim) must be between 82" - 96" from finished floor in order to meet ANSI Z358.1
- Use hand tools and wrenches in a manner which will prevent marring finished surfaces. Strap wrenches or tools with plastic jaw linings are highly recommended.
- Fragments of Teflon tape or pipe sealant residue can interfere with the proper operation of this unit. Ensure pipe sealant methods do not cause contamination in the equipment.

**STEP ONE: MOUNTING**

1. Locate existing 1" uninterrupted source of potable water supply (supplied by others) and flush to clear line of contamination.
2. Install the horizontal section of the unit (ball valve, pipe nipple & elbow) to existing supply line.
3. Pipe wrench the unit as required to ensure there are no leaks.
4. Attach pull rod to the ball valve handle by looping it in place.
5. Open water supply.
6. Test for leaks, proper operation and flow.

**STEP TWO: SIGNAGE & INSPECTION**

1. Position sign with clear visibility, in close proximity to safety equipment and mark mounting hole locations.
2. Select appropriate 1/4" anchors, screws and washers (supplied by others) to install signage.
3. Attach inspection tag supplied, with plastic zip tie.



**OPERATION INSTRUCTIONS:**

Employees who work with hazardous materials should become familiar with the location and operation of the nearest emergency plumbing fixture. In addition, proper clothing and equipment should be worn whenever working with hazardous materials. Emergency plumbing fixture stations are simple to use and require hands free operation once the station is activated. Regular instruction regarding proper care and use will increase confidence that the units are accessible and function properly.

The route and area surrounding the Drench Shower should be clear and unobstructed; the sooner a person has rinsed off any contamination, the less likelihood of injury. Drench Shower stations should be located in close proximity to the hazard and take no more than 10 seconds to reach. In the possibility of a strong acid or strong caustic contamination the Drench Shower should be immediately adjacent to the hazard. The victim may require assistance to the Drench Shower station and help removing shoes and clothing.

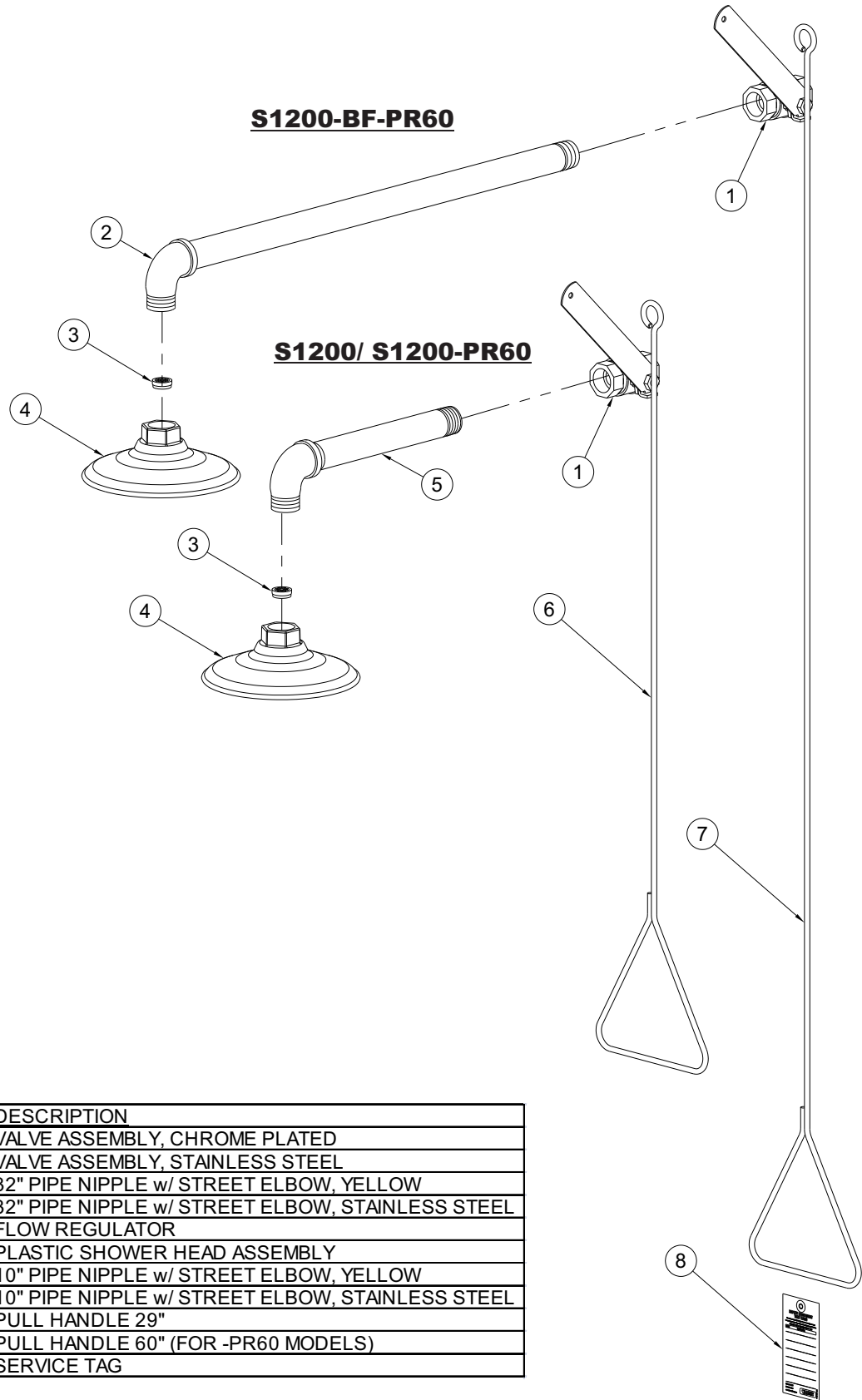
1. To start the Drench Shower pull down on the pull handle to "ON" position. The Drench Shower will start.
2. Stand directly under the spray pattern. Clothing should be removed immediately prior to or during the rinsing to prevent contamination from remaining against the body causing unnecessary injury and pain. Accept assistance removing shoes and clothing.
3. Completely rinse with arms and legs separated for approximately 15 minutes or until medical personnel arrive. Be prepared to inform medics on the type of substance that is causing the injury or contamination.
4. When finished push up on the pull handle to "OFF" position. Drenching fluid should stop.

**MAINTENANCE GUIDE:**

Maintain and inspect in accordance with ANSI Z358.1-2009

1. Check for obvious signs of wear, broken or defective equipment. Re-paint if necessary. Replace missing or defective equipment such as broken push paddles, missing signs and inspection tags.
2. Operate Drench Shower using the pull handle down to place ball valve in the fully "ON" position checking for smooth operation of valve push paddle mechanism. If the ball valve does not operate smoothly check the actuating assembly for binding or missing parts.
3. Return push handle up to "OFF" position.

**PARTS LIST**



ITEM	PART NUMBER	DESCRIPTION
1	7102-400-003	VALVE ASSEMBLY, CHROME PLATED
	7102-414-002	VALVE ASSEMBLY, STAINLESS STEEL
2	7102-423-001	32" PIPE NIPPLE w/ STREET ELBOW, YELLOW
	7102-424-001	32" PIPE NIPPLE w/ STREET ELBOW, STAINLESS STEEL
3	7102-351-001	FLOW REGULATOR
4	7102-300-000	PLASTIC SHOWER HEAD ASSEMBLY
5	7102-413-001	10" PIPE NIPPLE w/ STREET ELBOW, YELLOW
	7102-414-001	10" PIPE NIPPLE w/ STREET ELBOW, STAINLESS STEEL
6	7102-350-000	PULL HANDLE 29"
7	7102-345-000	PULL HANDLE 60" (FOR -PR60 MODELS)
8	7100-401-000	SERVICE TAG