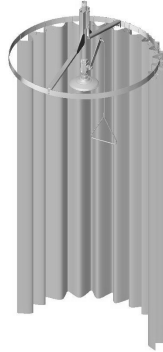




ACORN SAFETY  
P.O. BOX 3527  
CITY OF INDUSTRY, CA 91744-0527  
**UNITED STATES OF AMERICA**  
**WWW.ACORNSAFETY.COM**

## **INSTALLATION, OPERATION AND MAINTENANCE INSTRUCTIONS**

### **MODESTY CURTAIN**



**Model S0000-MC2**

### **TECHNICAL ASSISTANCE TOLL FREE TELEPHONE NUMBER**

**1.800.591.9360**

**TECHNICAL ASSISTANCE FAX: 1.626.855.4894**

#### **NOTES TO INSTALLER:**

- 1. Please leave this documentation with the owner of the fixture when finished**
- 2. Please read this entire booklet before beginning the installation**
- 3. Check your installation for compliance with plumbing, electrical, ANSI Z358.1, and other applicable codes.**

#### **LIMITED WARRANTY**

#### **UNITED STATES & CANADA**

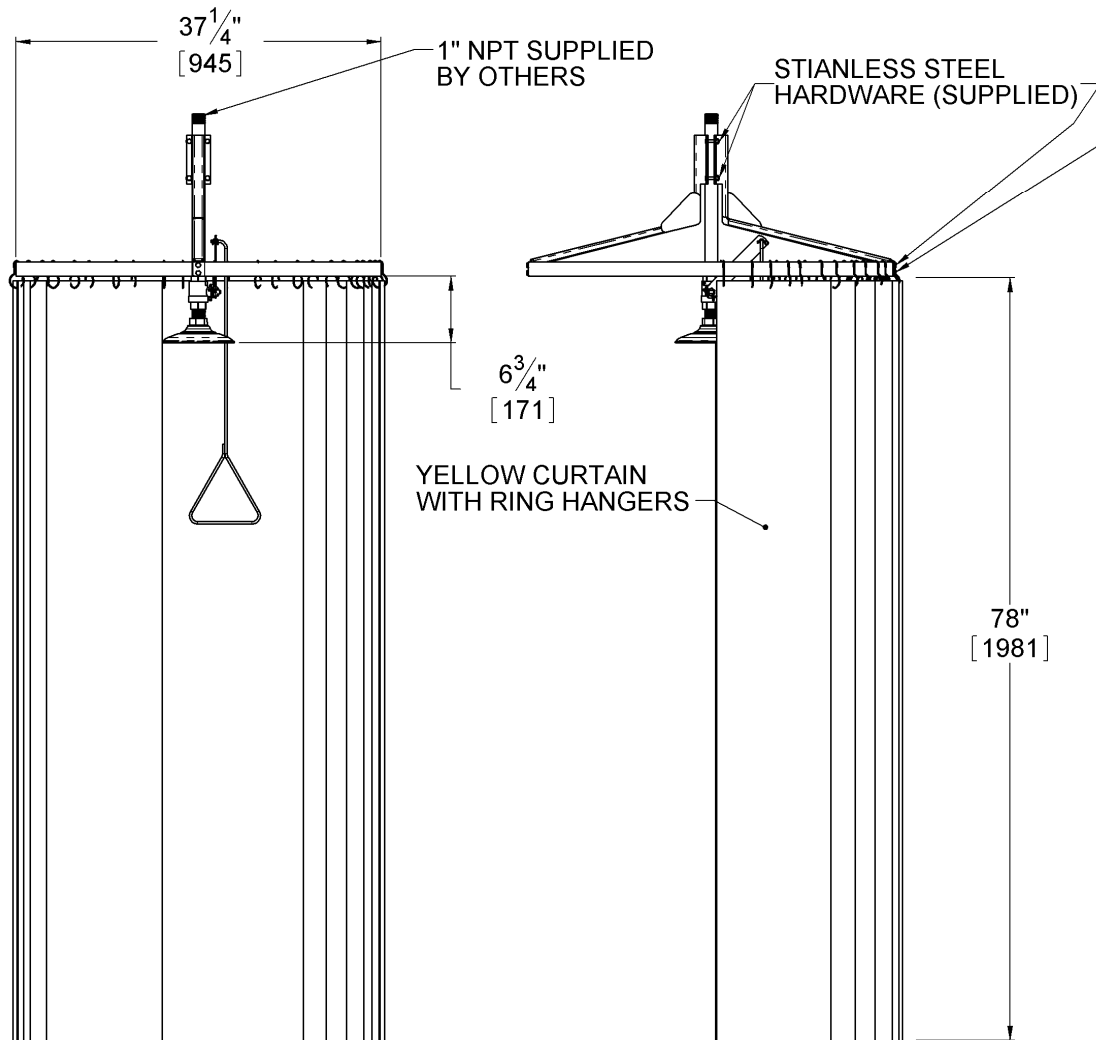
**Acorn Safety warrants that its products are free from defects in material or workmanship under normal use and service for a period of one year from date of shipment. Acorn's liability under this warranty shall be discharged solely by replacement or repair of defective material, provided Acorn is notified in writing within one year from date of shipment, F.O.B. Industry, California.**

**This warranty does not cover installation or labor charges and does not apply to materials, which have been damaged by other causes such as mishandling or improper care or abnormal use. The repair or replacement of the defective materials shall constitute the sole remedy of the Buyer and the sole remedy of Acorn under this warranty. Acorn shall not be liable under any circumstances for incidental, consequential or direct charges caused by defects in the materials, or any delay in the repair or replacement thereof. This warranty is in lieu of all other warranties expressed or implied. Product maintenance instructions are issued with each unit and disregard or non-compliance with these instructions will constitute an abnormal use condition and void the warranty. Stainless steel must be protected on jobsites during construction and must be properly maintained after the water has been introduced into the safety product or Acorn's warranty is void.**

## **PRELIMINARY STEPS**

1. **Read the installation instructions prior to beginning the installation**
2. **Separate parts from packaging and verify all necessary parts are accounted for and undamaged. Obtain missing or damaged parts from Acorn Safety prior to beginning installation.**
3. **In order to comply with ANSI Z358.1, the safety equipment must be inspected periodically.**
4. **All employees at risk of contamination should be informed and trained in the use of this and any other safety equipment.**

## **ROUGH-IN**



### NOTES:

1. ALL DIMENSIONS IN INCHES [MM].
2. THE SHOWER HEAD AND BALL VALVE ARE NOT INCLUDED WITH THE CURTAIN.
3. TIE-BACK INCLUDED, NOT SHOWN.

**Note:**

- Use hand tools and wrenches in a manner which will prevent marring finished surfaces.

**Step one: FRAME**

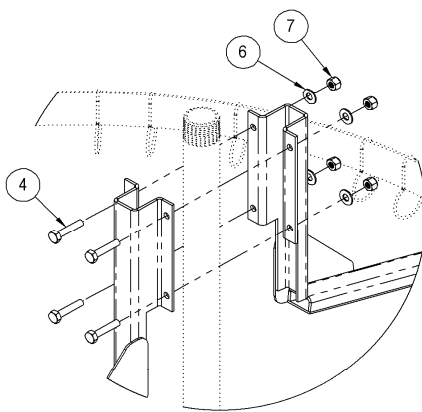
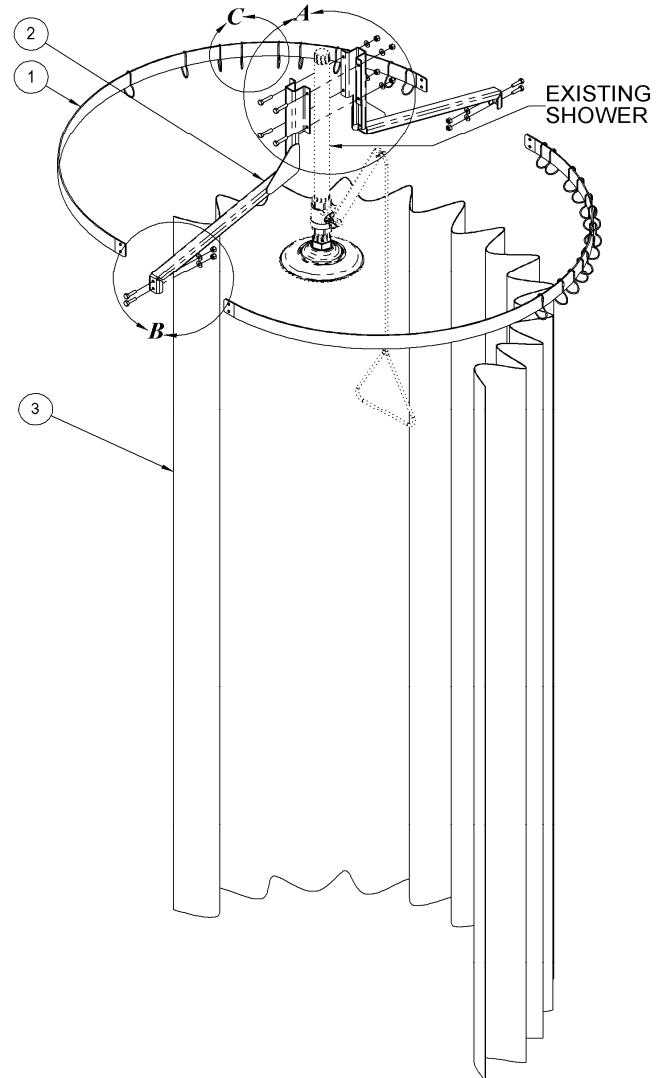
1. Install brackets "2" to the vertical shower pipe using provided hardware "4,6 and 7". See detail "A".
2. Slide thirteen curtain hooks "8" onto curtain rod "1". Repeat this procedure for the other curtain rod .
3. Install curtain rods "1" to brackets "2" using hardware "5, 6 & 7". See detail "B". Check for levelness of all newly installed components and adjust as necessary.

**Step two: CURTAIN**

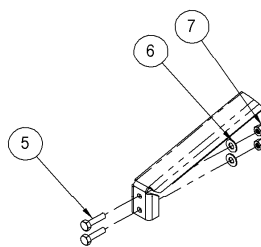
1. Install shower curtain "3" to the pre-installed curtain hooks.

PARTS LIST

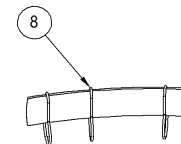
ITEM #	PART NUMBER	DESCRIPTION
1	7102-369-199	CURTAIN ROD, S/S
2	7102-372-001	S/S BRACKET ASSEMBLY
3	7102-328-000	SHOWER CURTAIN, VINYL, YELLOW
4	0206-006-000	BOLT, 1/4-20 X 1-1/4" HEX HEAD, S/S
5	0206-002-000	BOLT, 1/4-20 X 1" HEX HEAD, S/S
6	0331-005-000	1/4 S/S LOCK WASHER, S/S
7	0302-013-000	1/4-20 S/S HEX NUT W/ NYLOK
8	3895-003-000	CURTAIN HOOK



DETAIL A  
SCALE 1 : 5



DETAIL B  
SCALE 1 : 6



DETAIL C  
SCALE 1 : 6