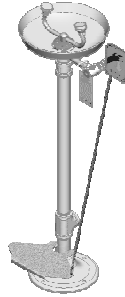




ACORN SAFETY
P.O. BOX 3527
CITY OF INDUSTRY, CA 91744-0527
UNITED STATES OF AMERICA
WWW.ACORNSAFETY.COM

INSTALLATION, OPERATION AND MAINTENANCE INSTRUCTIONS

HAND / FOOT CONTROL OPTION



Models S0000-HFC

TECHNICAL ASSISTANCE TOLL FREE TELEPHONE NUMBER

1.800.591.9360

TECHNICAL ASSISTANCE FAX: 1.626.855.4894

NOTES TO INSTALLER:

- 1. Please leave this documentation with the owner of the fixture when finished**
- 2. Please read this entire booklet before beginning the installation**
- 3. Check your installation for compliance with plumbing, electrical, ANSI Z358.1, and other applicable codes.**

LIMITED WARRANTY **UNITED STATES & CANADA**

Acorn Safety warrants that its products are free from defects in material or workmanship under normal use and service for a period of one year from date of shipment. Acorn's liability under this warranty shall be discharged solely by replacement or repair of defective material, provided Acorn is notified in writing within one year from date of shipment, F.O.B. Industry, California.

This warranty does not cover installation or labor charges and does not apply to materials, which have been damaged by other causes such as mishandling or improper care or abnormal use. The repair or replacement of the defective materials shall constitute the sole remedy of the Buyer and the sole remedy of Acorn under this warranty. Acorn shall not be liable under any circumstances for incidental, consequential or direct charges caused by defects in the materials, or any delay in the repair or replacement thereof. This warranty is in lieu of all other warranties expressed or implied. Product maintenance instructions are issued with each unit and disregard or non-compliance with these instructions will constitute an abnormal use condition and void the warranty. Stainless steel must be protected on jobsites during construction and must be properly maintained after the water has been introduced into the safety product or Acorn's warranty is void.

PRELIMINARY STEPS

1. **Read the installation instructions prior to beginning the installation**
2. **Separate parts from packaging and verify all necessary parts are accounted for and undamaged. Obtain missing or damaged parts from Acorn Safety prior to beginning installation.**
3. **All employees at risk of contamination should be informed and trained in the use of this and any other safety equipment. The signage provided should be posted appropriately in close proximity to this equipment.**

INSTALLATION INSTRUCTIONS:

IMPORTANT: flush water supply lines prior to connection to safety equipment.

Step one: PEDAL ASSEMBLY "A"

1. **Position pedal to align mounting hole in foot pedal with mounting hole in eye/ facewash station pedestal.**
2. **Insert 1/4-20 x 2 1/2" mounting bolt through holes and attach washer and lock nut.**

Step two: PADDLE BRACKET ASSEMBLY "B"

1. **Position small HFC VALVE ARM bracket holes to paddle handle activation holes.**
2. **Insert 1/4-20 x 5/8" screws and secure with lock nuts.**
3. **Attach S-hook to bracket and bend S-hook with pliers to ensure it will not disengage from bracket.**

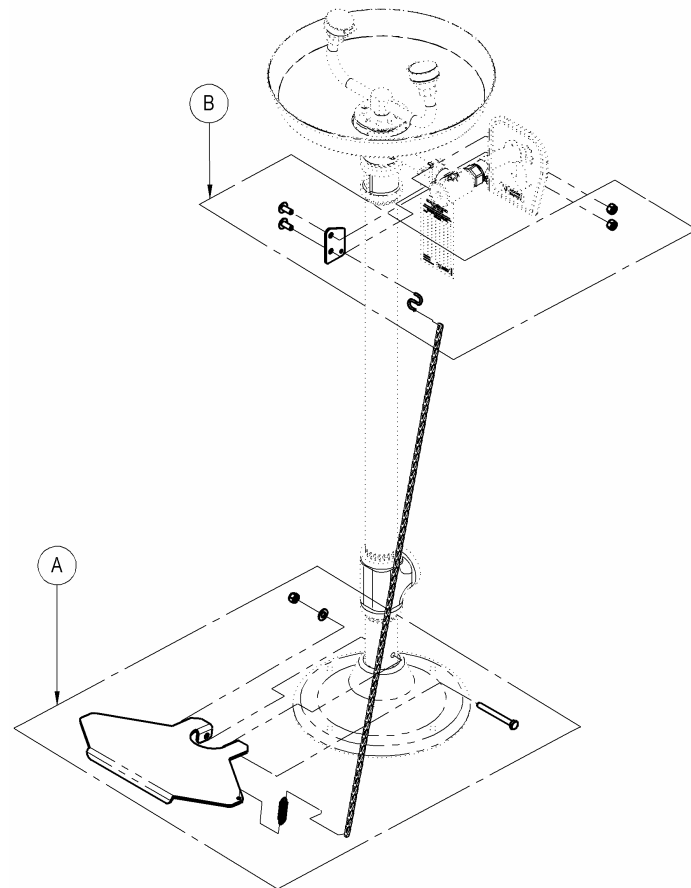
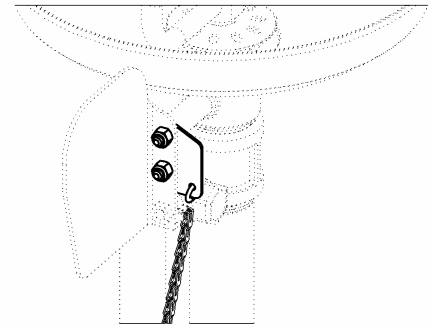
Step three: CHAIN AND SPRING

1. **Attach one end of extension spring to end of sash chain.**
2. **Attach opposite end of extension spring to foot pedal spring mounting hole.**
3. **Position the foot pedal in a horizontal position and attach opposite end of chain to S-hook.**
4. **Test to ensure the foot pedal activation fully opens the 1/2" supply ball valve. If necessary adjust where chain is connected to S-hook.**
5. **After confirming that the foot pedal properly activates the 1/2" supply ball valve, crimp the S-hook to secure it to the chain. Also crimp the end of the spring with pliers to fully secure it to the foot pedal.**

NOTE: it is important to fully secure all components in the linkage system to ensure components will stay properly aligned during use.

Step four:

1. **Test proper functionality to prevent any binding or kinking of chain.**
2. **Turn off valve.**



PARTS LIST

ITEM #	PART NUMBER	DESCRIPTION
1	6502-200-000	1/4-20x5/8 TH PHILLIPS SCREW
2	7101-068-199	HFC VALVE ARM
3	0302-013-000	1/4-20x3/8 HEX NUT W/ NYLOCK
4	7100-213-000	S-HOOK, OPEN ENDED, -HFC OPTION
5	7101-070-000	#8 SASH CHAIN, S/S
6	0302-013-000	1/4-20x3/8 HEX NUT W/ NYLOCK
7	0331-005-000	1/4" S/S FLAT WASHER
8	7101-064-199	HFC FOOT PEDAL
9	7100-214-000	1/4-20x2 1/2"L HEX HEAD SHLDR BOLT
10	7101-072-000	1/2"Lx3/8OD EXTENSION SPRING

