



ACORN SAFETY
P.O. BOX 3527
CITY OF INDUSTRY, CA 91744-0527
UNITED STATES OF AMERICA
WWW.ACORNSAFETY.COM

INSTALLATION, OPERATION AND MAINTENANCE INSTRUCTIONS

FREEZE RESISTANT HORIZONTALLY MOUNTED EMERGENCY SHOWER



Models: S2200-FRV / S1200-FRV

TECHNICAL ASSISTANCE TOLL FREE TELEPHONE NUMBER

1.800.591.9360

TECHNICAL ASSISTANCE FAX: 1.626.855.4894

NOTES TO THE INSTALLER:

- 1. Please leave this documentation with the owner of the fixture when finished.**
- 2. Please read this entire booklet before beginning the installation.**
- 3. Check your installation for compliance with plumbing, electrical, ANSI Z358.1 and other applicable codes.**

LIMITED WARRANTY **UNITED STATES AND CANADA**

Acorn Safety warrants that its products are free from defects in material or workmanship under normal use and service for a period of one year from date of installation or 18 months after the date of shipment from the factory, whichever comes first. Acorn's liability under this warranty shall be discharged solely by replacement or repair of defective material, provided Acorn™ is notified in writing within the time period described above.

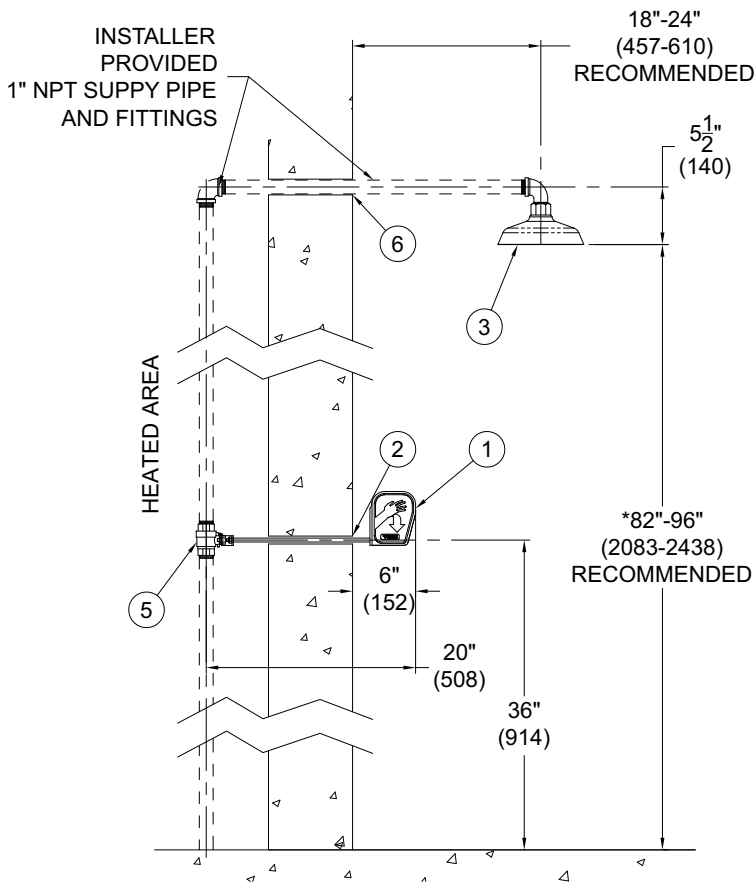
This warranty does not cover installation or labor charges and does not apply to materials, which have been damaged by other causes such as mishandling or improper care or abnormal use. The repair or replacement of the defective materials shall constitute the sole remedy of the Buyer and the sole remedy of Acorn under this warranty. Acorn shall not be liable under any circumstances for incidental, consequential or direct charges caused by defects in materials, or any delay in the repair or replacement thereof. This warranty is in lieu of all other warranties expressed or implied. Product maintenance instructions are issued with each unit and disregard or non-compliance with these instructions will constitute an abnormal use condition and void the warranty. Stainless steel must be protected on job sites during construction and must be properly maintained after the water has been introduced into the safety product or Acorn's warranty is void.

PRELIMINARY STEPS

1. Read the installation instructions prior to beginning the installation.
2. Separate parts from packaging and verify all necessary parts are accounted for and undamaged. Obtain missing or damaged parts from Acorn Safety prior to beginning installation.
3. Flush water supply lines prior to installation. This will remove unwanted debris from the lines and prevent unwanted blockages in the safety equipment.
4. In order to comply with ANSI Z358.1, the safety equipment must be inspected periodically. An inspection tag is provided for documentation purposes.
5. All employees at risk of contamination should be informed and trained in the use of this and any other safety equipment. The signage provided should be posted appropriately in close proximity to this equipment.

ROUGH-IN

S2200-FRV



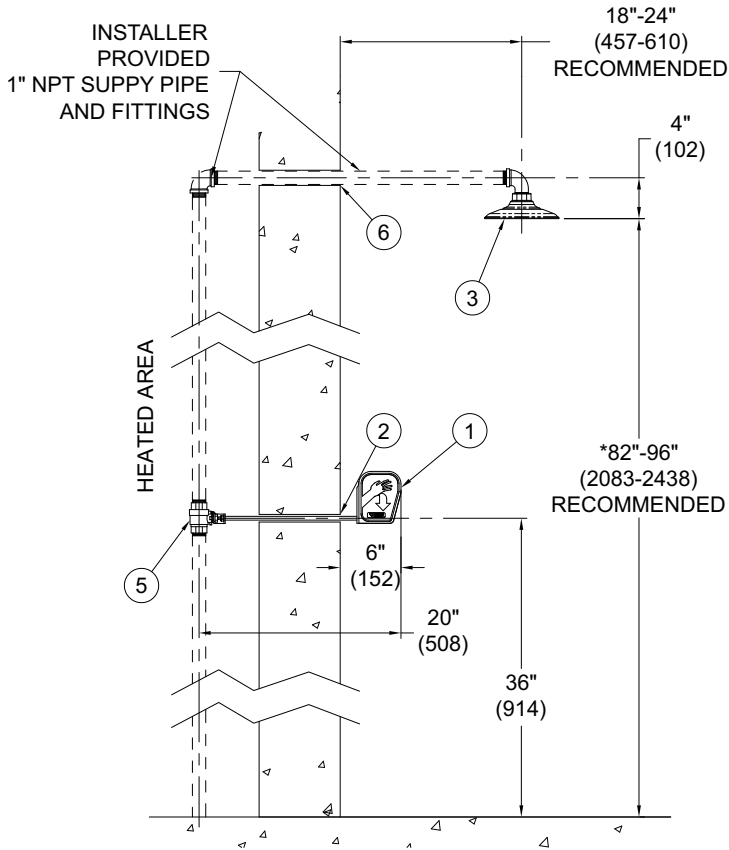
- ① ACTIVATION PADDLE HANDLE WITH 5/8" DIAMETER ACTIVATION ROD
- ② Ø 3/4" (19mm) HOLE FOR 5/8" DIAMETER ACTIVATION ROD
- ③ 8" DIAMETER STAINLESS STEEL SHOWERHEAD
- ④ SHOWER SIGNAGE, SHIPPED LOOSE FOR FIELD INSTALLATION
- ⑤ 1" NPT BALL VALVE
- ⑥ Ø1-1/2" (38mm) HOLE FOR 1" NPT SUPPLY, BY OTHERS

GENERAL NOTES:

1. ALL DIMENSIONS ARE INCHES (MM).
- *2. ANSI Z358.1 REQUIRES THE SHOWER HEAD TO BE MOUNTED BETWEEN MINIMUM 82" (2083) TO MAXIMUM 96" (2438) ABOVE THE FLOOR.
3. ACTIVATION ROD PROVIDED FOR 8" (203mm) WALL OTHER LENGTHS AVAILABLE UPON REQUEST.

ROUGH-IN

S1200-FRV



GENERAL NOTES:

1. ALL DIMENSIONS ARE INCHES (MM).
- *2. ANSI Z358.1 REQUIRES THE SHOWER HEAD TO BE MOUNTED BETWEEN MINIMUM 82" (2083) TO MAXIMUM 96" (2438) ABOVE THE FLOOR.
3. ACTIVATION ROD PROVIDED FOR 8" (203mm) WALL OTHER LENGTHS AVAILABLE UPON REQUEST.

- ① ACTIVATION PADDLE HANDLE WITH 5/8" DIAMETER ACTIVATION ROD
- ② Ø 3/4" (19mm) HOLE FOR 5/8" DIAMETER ACTIVATION ROD
- ③ 7-3/8" DIAMETER PLASTIS SHOWERHEAD
- ④ SHOWER SIGNAGE, SHIPPED LOOSE FOR FIELD INSTALLATION
- ⑤ 1" NPT BALL VALVE
- ⑥ Ø1-1/2" (38mm) HOLE FOR 1" NPT SUPPLY, BY OTHERS

INSTALLATION INSTRUCTIONS:

Supplies required: (not provided by Acorn)

1. Wall fasteners for signage mounting.
2. Pipe sealant or Teflon tape for sealing water connections.
3. Pipe hangers, if necessary.

IMPORTANT: FLUSH WATER SUPPLY LINES PRIOR TO CONNECTION TO SAFETY EQUIPMENT.

Notes:

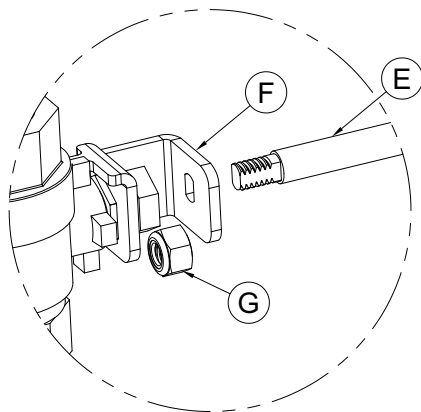
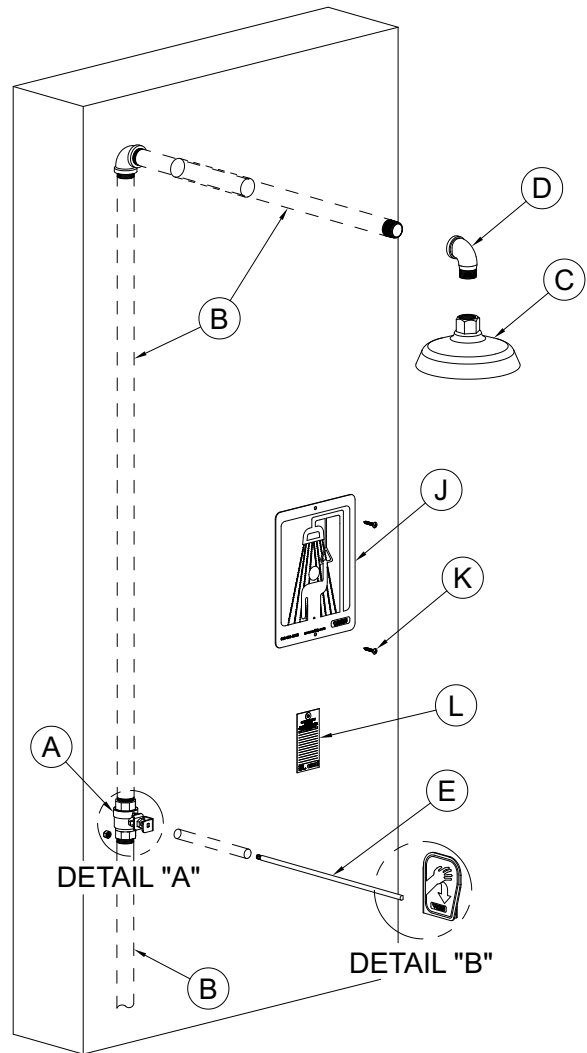
- Bottom of shower head (shower head rim) must be between 82"- 96" from finished floor in order to meet ANSI Z358.1
- Use hand tools and wrenches in a manner which will prevent marring finished surfaces. Strap wrenches or tools with plastic jaw linings are highly recommended.
- Fragments of Teflon tape or pipe sealant residue can interfere with the proper operation of this unit. Ensure pipe sealant methods do not cause contamination in the equipment.

STEP ONE: MOUNTING

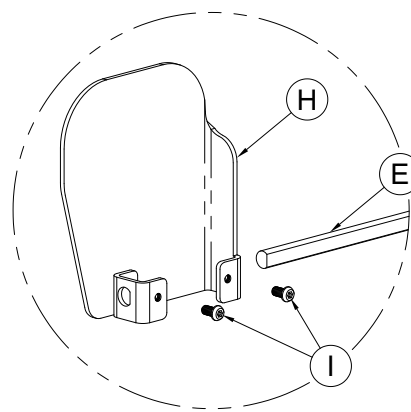
1. Locate and install 1" NPT valve "A" to uninterrupted source of potable water supply "B" (supplied by others) and flush to clear line of contamination.
2. Assemble shower head "C" to provided 1" NPT elbow "D" and install to 1" NPT supply "B" (by others).
3. Pipe wrench the unit as required to ensure there are no leaks.
4. Assemble activation rod "E" to valve bracket "F" and secure with nut "G". See detail "A".
5. Assemble activation paddle "H" to activation rod "E" and secure with provided screws "I". See Detail "B"
5. Open water supply.
6. Test for leaks, proper operation and flow.

STEP TWO: SIGNAGE & INSPECTION

1. Position sign "J" with clear visibility, in close proximity to safety equipment and mark mounting hole locations.
2. Select appropriate 1/4" anchors, screws and washers "K" (supplied by others) to install signage.
3. Attach inspection tag "L" supplied, with plastic zip tie.



DETAIL "A"



DETAIL "B"

DRENCH SHOWER OPERATION:

Employees who work with hazardous materials should become familiar with the location and operation of the nearest emergency plumbing fixture. Emergency plumbing fixture stations are simple to use and require hands free operation once the station is activated. Regular instruction regarding proper care and use will increase confidence that the units are accessible and function properly.

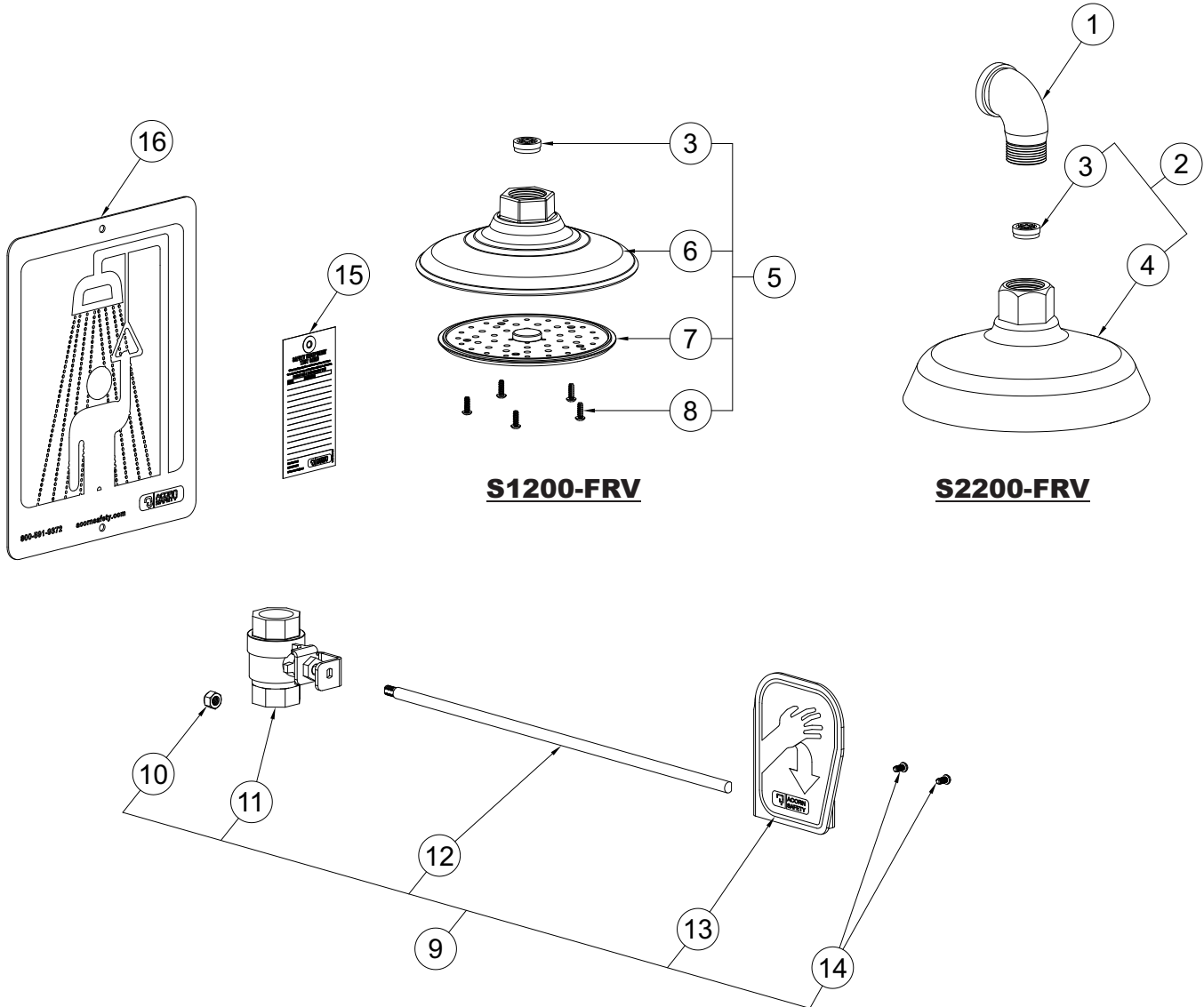
The route and area surrounding the Drench Shower should be clear and unobstructed; the sooner a person has rinsed off any contamination, the less likelihood of injury. Drench Shower stations should be located in close proximity to the hazard and take no more than 10 seconds to reach. In the possibility of a strong acid or strong caustic contamination the Drench Shower should be immediately adjacent to the hazard. The victim may require assistance to the Drench Shower station and help removing shoes and clothing.

1. To start the Drench Shower push the paddle forward to the horizontal or fully "ON" position. The Drench Shower will start.
2. Stand directly under the spray pattern. Accept assistance removing shoes and clothing. Clothing should be removed immediately prior to or during the rinsing to prevent contamination from remaining against the body causing unnecessary injury and pain.
3. Completely rinse with arms and legs separated for approximately 15 minutes or until medical personnel arrive. Be prepared to inform medics on the type of substance that is causing the injury or contamination.
4. When finished return the push paddle to the vertical or fully "OFF" position. Drenching fluid should stop.

CLEANING AND MAINTENANCE GUIDE:

1. Maintain and inspect in accordance with ANSI Z358.1-2009.
2. Check for obvious signs of wear, broken or defective equipment. Re-paint if necessary. Replace missing or defective equipment such as broken push paddles, missing signs or inspection tags.
3. Operate Drench Shower using the push paddle to place ball valve in the fully "ON" position checking for smooth operation of valve push paddle mechanism. If the ball valve does not operate smoothly check the actuating assembly for binding or missing parts.
4. Return push paddle to vertical or fully "OFF" position.

PARTS LIST



ITEM	PART NUMBER	DESCRIPTION
1	7100-138-000	1" NPT M x F STREET ELBOW
2	7102-305-001	S2200 STAINLESS STEEL SHOWER HEAD ASSEM, w/ FLOW REGULATOR
3	7102-351-000	FLOW REGULATOR
4	7102-305-002	STAINLESS STEEL SHOWER HEAD, LESS FLOW RESTRICTOR
5	7102-300-001	S1200 PLASTIC SHOWER HEAD ASSEMBLY w/ FLOW REGULATOR
6	7102-300-000	PLASTIC SHOWER HEAD
7	7102-301-000	PLASTIC SPRAY PLATE
8	0124-054-000	#8-18 x 1/2" BUTTONHEAD SCREW
9	7102-405-002	ACTIVATION VALVE ASSEMBLY
10	0304-007-000	5/16-18 UNC HEX NUT w/ NYLOCK
11	7100-103-000	1" NPT BALL VALVE
12	7101-500-199	ACTIVATION ROD
13	7101-040-004	ACTIVATION PADDLE
14	0112-001-000	#10-32 x 3/8" BUTTON HEAD, CENTER REJECT SCREW
15	7100-401-000	SERVICE TAG
16	7100-403-000	SHOWER PLACARD