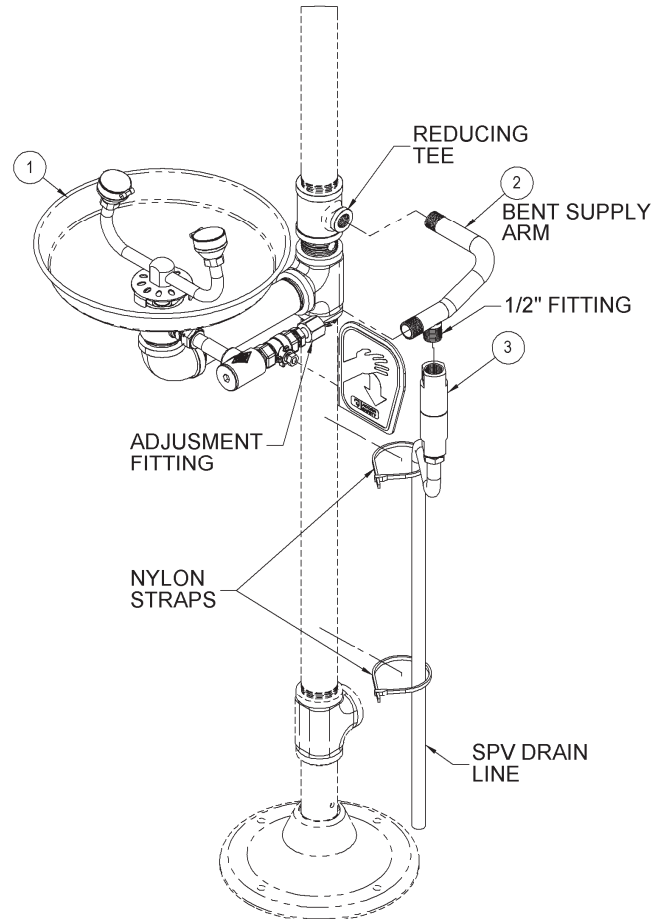


SCALD AND FREEZE PROTECTION VALVE OPTION PARTS BREAKDOWN

ASSEMBLY INSTRUCTIONS:

1. Use proper thread sealant to thread the Valve (item no. 3) onto 1/2" fitting of item no. 2.
2. Connect supplied tubing to barbed fitting on the valve, and lead tubing to the base of the unit as shown.
3. Use nylon straps to vertically secure drain line to bottom leg of unit to ensure proper drainage to floor (drain or run-off).
4. Turn on water supply and check for leaks and proper function of the unit.



PARTS LIST		
ITEM #	PART NUMBER	DESCRIPTION
1	7102-523-001	SPV COMBO LOOP ASSEMBLY
	7102-530-002	ADA SPV COMBO LOOP ASSEMBLY
2	7102-037-001	SPV BENT SUPPLY ARM
	7102-040-001	ADA SPV BENT SUPPLY ARM
3	7100-310-001	SPV ASSEMBLY (SCALD PREVENTION VALVE)
	7100-312-001	FPV ASSEMBLY (FREEZE PREVENTION VALVE)