



ACORN SAFETY
P.O. BOX 3527
CITY OF INDUSTRY, CA 91744-0527
UNITED STATES OF AMERICA
WWW.ACORNSAFETY.COM

INSTALLATION, OPERATION AND MAINTENANCE INSTRUCTIONS

COMBINATION STATIONS



Model: S1320-PVC

TECHNICAL ASSISTANCE TOLL FREE TELEPHONE NUMBER

1.800.591.9360

TECHNICAL ASSISTANCE FAX: 1.626.855.4894

NOTES TO THE INSTALLER:

- 1. Please leave this documentation with the owner of the fixture when finished.**
- 2. Please read this entire booklet before beginning the installation.**
- 3. Check your installation for compliance with plumbing, electrical, ANSI Z358.1 and other applicable codes.**

LIMITED WARRANTY

UNITED STATES AND CANADA

Acorn Safety warrants that its products are free from defects in material or workmanship under normal use and service for a period of one year from date of shipment. Acorn's™ liability under this warranty shall be discharged solely by replacement or repair of defective material, provided Acorn™ is notified in writing within one year from date of shipment, F.O.B. Industry, California.

This warranty does not cover installation or labor charges and does not apply to materials, which have been damaged by other causes such as mishandling or improper care or abnormal use. The repair or replacement of the defective materials shall constitute the sole remedy of the Buyer and the sole remedy of Acorn™ under this warranty. Acorn™ shall not be liable under any circumstances for incidental, consequential or direct charges caused by defects in materials, or any delay in the repair or replacement thereof. This warranty is in lieu of all other warranties expressed or implied. Product maintenance instructions are issued with each unit and disregard or non-compliance with these instructions will constitute an abnormal use condition and void the warranty. Stainless steel must be protected on jobsites during construction and must be properly maintained after the water has been introduced into the safety product or Acorn's™ warranty is void.

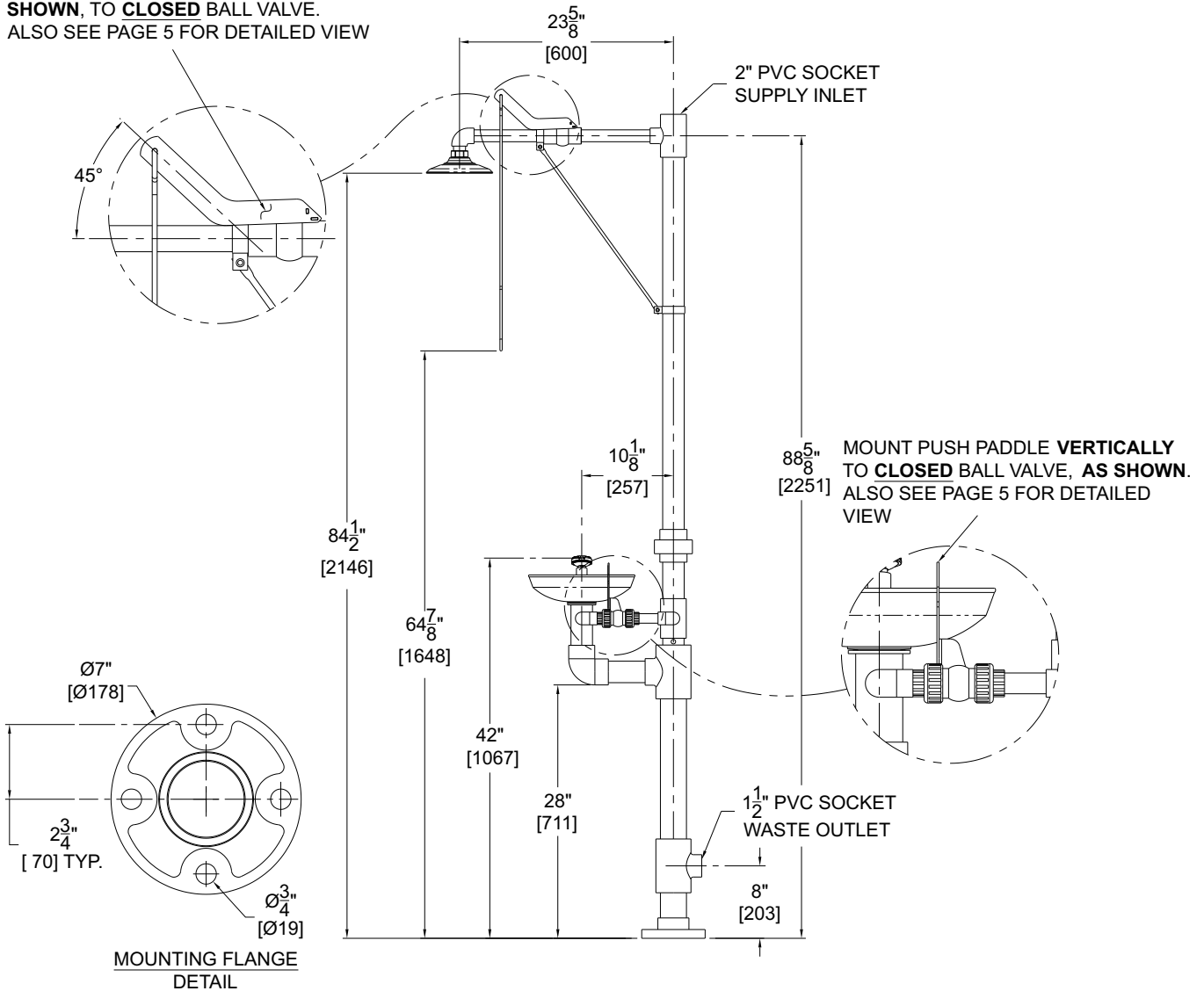
PRELIMINARY STEPS

NOTE: If installed in an area exposed to direct sunlight, plumbing must be painted with a latex based paint or wrapped in a layer of minimum 0.04" thick tape, to prevent UV degradation.

1. Read the installation instructions prior to beginning the installation.
2. Separate parts from packaging and verify all necessary parts are accounted for and undamaged. Obtain missing or damaged parts from Acorn Safety prior to beginning installation.
3. Flush water supply lines prior to installation. This will remove unwanted debris from the lines and prevent unwanted blockages in the safety equipment.
4. In order to comply with ANSI Z358.1, the safety equipment must be inspected periodically. An inspection tag is provided for documentation purposes.
5. All employees at risk of contamination should be informed and trained in the use of this and any other safety equipment. The signage provided should be posted appropriately in close proximity to this equipment.

ROUGH-IN

MOUNT SHOWER VALVE LEVER, **AS SHOWN**, TO **CLOSED** BALL VALVE. ALSO SEE PAGE 5 FOR DETAILED VIEW



GENERAL NOTES:

1. ALL DIMENSIONS ARE IN INCHES [MM].

INSTALLATION INSTRUCTIONS:

Some knowledge of industry standards and contracting techniques are required to install our fixtures. Supplies required: (not supplied by Acorn™)

1. Floor fastener anchors, washers, and bolts.
2. Teflon tape
3. PVC primer and cement

IMPORTANT: FLUSH WATER SUPPLY LINES PRIOR TO CONNECTION TO SAFETY EQUIPMENT.

Notes:

- Top of spray nozzles must be between 33" - 45" from finished floor in order to meet ANSI Z358.1
- Bottom of shower head must be between 82" - 96" from finished floor in order to meet ANSI Z358.1
- Use hand tools and wrenches in a manner which will prevent marring finished surfaces. Strap wrenches or tools with plastic jaw linings are highly recommended.
- Refer to Rough-In for location of supply and drain lines.
- Fragments of Teflon Tape can interfere with the proper operation of this unit. Ensure pipe sealant methods do not cause contamination in the system.

STEP ONE: PEDESTAL

1. Locate and assemble components "A, B, C, D, & E" to create pedestal base using proper plumbing techniques to seal all connections
2. Position the pedestal so that there are **no obstructions** within a **16" radius** from the center of the shower head, (except for the eye/face wash) and **no obstructions** within a **6" radius** from either eye/face wash spray heads.
3. While holding the assembly in position, mark floor flange mounting hole positions.
4. Remove assembly and install appropriate anchors to receive mounting bolts and washers (by others).

STEP TWO: UPPER SHOWER ASSEMBLY

1. Assemble components "F, G & I" to pedestal sub assy in sequential order using proper plumbing techniques to seal threaded and socket connections.
2. Ensure that fittings are aligned and perpendicular as shown to allow for later stages of assembly.
3. Assemble components "E & J" in a similar manner
4. Assemble component "H" to valve.

STEP THREE: SUPPLY AND SANITARY DRAIN CONNECTION

Note: Refer to Rough-In for supply and drain line locations.

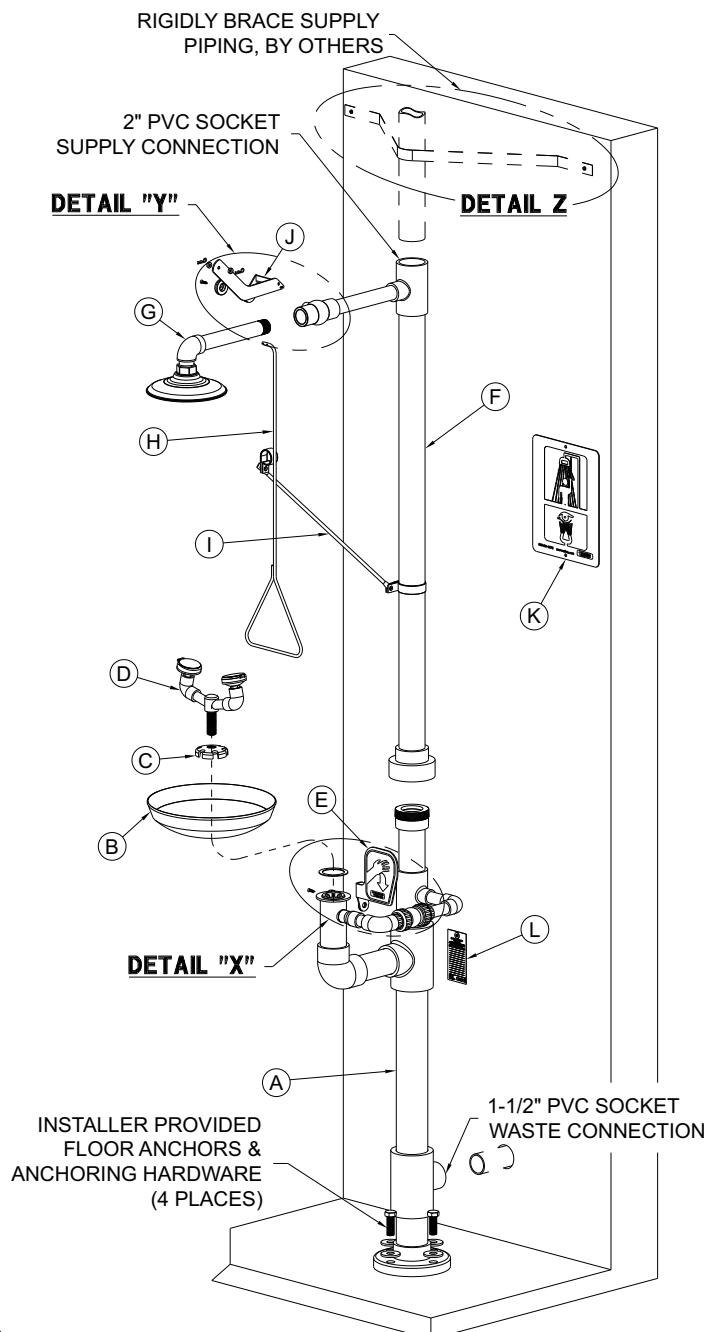
1. Install necessary pipe fittings (supplied by others) to make connection to 1-1/2" PVC socket waste tee with sanitary drain line.
2. Install necessary pipe fittings (supplied by others) to make connection to 2" PVC socket supply tee w/ potable water supply line. **Note:** supply lines must be rigidly braced (see detail Z)

STEP FOUR: TEST

1. Verify 3/4" supply valve for eye/face wash and 1" supply valve for shower are turned OFF.
2. Turn on water supply to the unit.
3. Inspect system for leaks.
4. Verify shower and eye/face wash flow properly.

STEP FIVE: SIGNAGE AND INSPECTION

1. Install sign "K" with clear visibility as shown with appropriate hardware (supplied by others).
2. Attach inspection tag "L" supplied, with plastic zip tie to 1/2" line as shown.



EYE/FACE WASH OPERATION

Employees who work with hazardous materials should become familiar with the location and operation of the nearest emergency plumbing fixture. Emergency plumbing fixture stations are simple to use and require hands free once the station is activated. Regular instruction regarding proper care and use will increase confidence that the units are accessible and function properly.

The route and area surrounding the Eye Wash should be clear and unobstructed; the sooner the eyes are flushed, the less likelihood of injury. Eye Wash stations should be located in close proximity to the hazard and take no more than 10 seconds to reach. When strong acid or strong caustic are involved, the Eye Wash station should be immediately adjacent to the hazard. In the event of severe eye contamination, the victim may require assistance to the Eye Wash station and help flushing their eyes.

1. To start the Eye Wash push the paddle forward to the horizontal or fully "ON" position. Flushing should start, popping the spray nozzle caps open.
2. Lower both eyes into flow. Both eyes should be flushed to prevent contamination from one eye from being delivered to the unaffected eye. Personnel who wear contact lenses should remove them immediately prior to or during the flush to prevent the contamination from remaining against the cornea possibly causing unnecessary injury and pain.
3. Using thumb and forefinger to fully open eyelids and flush eyes thoroughly for approximately 15 minutes or until medical personnel arrives. Be prepared to inform medics of the substance that caused the injury or contamination.
4. When finished return the push paddle to the vertical or fully "OFF" position. Flushing fluid should stop. Once flushing fluid has stopped flowing, return spray nozzle lids to the closed position to protect from airborne contaminants.

CLEANING AND MAINTENANCE GUIDE:

1. Maintain and inspect in accordance with ANSI Z358.1-2009.
2. Check for obvious signs of wear, broken or defective equipment. Re-paint if necessary. Replace missing signs or inspection tags.
3. Remove strainer and washout any debris collected - replace if required.
4. Operate eye/face wash nozzles using the push paddle to place ball valve in full "ON" position checking for smooth operation of valve push paddle mechanism at the same time immediately when actuating assembly for binding or missing parts. If the eye/face wash spray nozzle caps do not pop off immediately when actuated check for correct supply inlet pressure.

5. Return push paddle to vertical or fully "OFF" position and to prevent eye/face wash spray nozzles from becoming contaminated, always close nozzle lids after each use.

DRENCH SHOWER OPERATION

Employees who work with hazardous materials should become familiar with the location and operation of the nearest emergency plumbing fixture. In addition, proper clothing and equipment should be worn whenever working with hazardous materials. Emergency plumbing fixtures stations are simple to use and require hands free operation once the station is activated. Regular instruction regarding proper care and use will increase confidence that the units are accessible and function properly.

The route and area surrounding the Drench Shower should be clear and unobstructed; the sooner a person has rinsed off any contamination, the less likelihood of injury. Drench Shower station should be located in close proximity to the hazard and take no more than 10 seconds to reach. When strong acid or strong caustic are involved, the Drench Shower should be immediately adjacent to the hazard. In some circumstance, the victim may require assistance to the Drench Shower and help removing articles of clothing or shoes.

1. To start the Drench Shower pull handle down to fully "ON" position. The Drench Shower will start.
2. Stand directly under the spray pattern. Clothing should be removed immediately prior to or during the rinsing to prevent contamination from remaining against body causing unnecessary injury and pain. Accept assistance removing shoes and clothing.
3. Completely rinse with arms and legs separated for approximately 15 minutes or until medical personnel arrives. Be prepared to inform medics of the substance that caused the injury or contamination.
4. When finished return the pull rod to fully "OFF" position. Drenching fluid should stop.

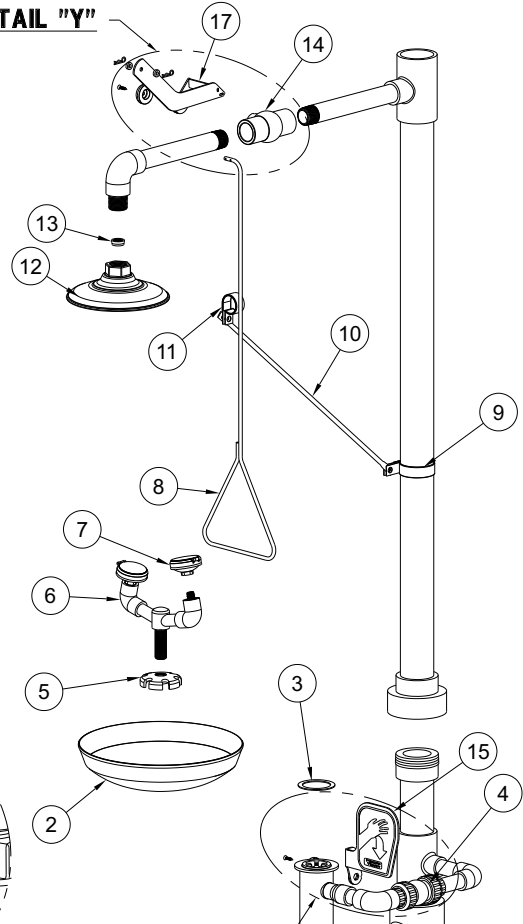
CLEANING AND MAINTENANCE GUIDE:

1. Maintain and inspect in accordance with ANSI Z358.1 - 2009.
2. Check for obvious signs of wear, broken or defective equipment. Re-paint if necessary. Replace missing or defective equipment such as broken push paddles and missing signs or inspection tags.
3. Operate Drench Shower using the pull rod handle to place ball valve in the fully "ON" position checking for smooth operation of valve. If the ball valve does not operate smoothly check the actuating assembly for binding or missing parts.
4. Return pull rod handle to fully "OFF" position.

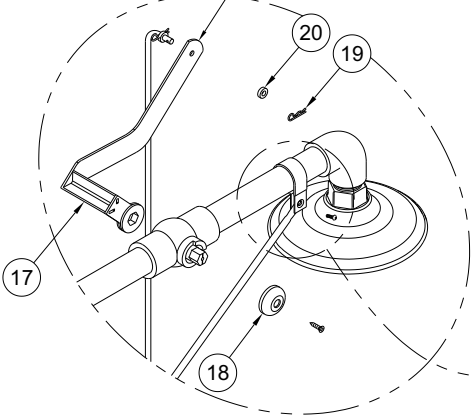
Parts List

ITEM	PART NUMBER	DESCRIPTION
1	7100-401-000	INSPECTION TAG
2	7101-005-000	YELLOW PLASTIC BOWL
3	7101-048-000	BOWL GASKET
4	7110-120-199	3/4" PVC BALL VALVE
5	7110-108-199	PVC STRAINER
6	7110-109-002	PLASTIC YOKE STEM ASSEMBLY
7	7101-104-001	PLASTIC EYE WASH ASSY
8	7102-350-000	PULL HANDLE - 29"
9	7110-135-000	2-1/4" LOOP CLAMP w/ NEOPRENE
10	7110-101-199	PIPE BRACE
11	7110-136-000	1-1/4" LOOP CLAMP w/ NEOPRENE
12	7102-300-001	PLASTIC SHOWER HEAD ASSY
13	7102-351-000	SHOWER FLOW REGULATOR
14	7110-128-199	1" PVC BALL VALVE
15	7110-124-001	EYE WASH PADDLE ASSY
16	7110-127-199	EYEWASH VALVE CAP
17	7110-129-001	SHOWER VALVE LEVER
18	7110-134-199	SHOWER VALVE CAP
19	0341-103-000	COTTER PIN
20	7100-219-000	NYLON WASHER

DETAIL "Y"



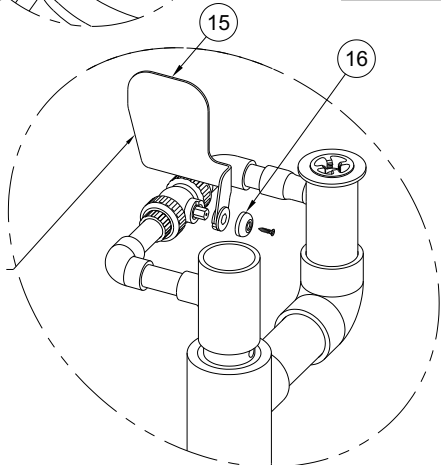
MOUNT SHOWER VALVE LEVER AS SHOWN TO CLOSED BALL VALVE. ALSO SEE PAGE 2 FOR DETAIL VIEW.



INSTALL CLAMP AND BRACE AS SHOWN

DETAIL "Y"

MOUNT PUSH PADDLE VERTICALLY, TO CLOSED BALL VALVE, AS SHOWN. ALSO SEE PAGE 2 FOR DETAILED VIEW



DETAIL "X"

DETAIL "X"

