



ACORN SAFETY  
P.O. BOX 3527  
CITY OF INDUSTRY, CA 91744-0527  
UNITED STATES OF AMERICA  
[WWW.ACORNSAFETY.COM](http://WWW.ACORNSAFETY.COM)

## INSTALLATION, OPERATION AND MAINTENANCE INSTRUCTIONS

### SAFETY ACCESSORIES



Models S0000-STK

TECHNICAL ASSISTANCE TOLL FREE TELEPHONE NUMBER

1.800.591.9360

TECHNICAL ASSISTANCE FAX: 1.626.855.4894

#### NOTES TO INSTALLER:

1. Please leave this documentation with the owner of the fixture when finished
2. Please read this entire booklet before beginning the installation
3. Check your installation for compliance with plumbing, electrical, ANSI Z358.1, and other applicable codes.

#### LIMITED WARRANTY

UNITED STATES & CANADA

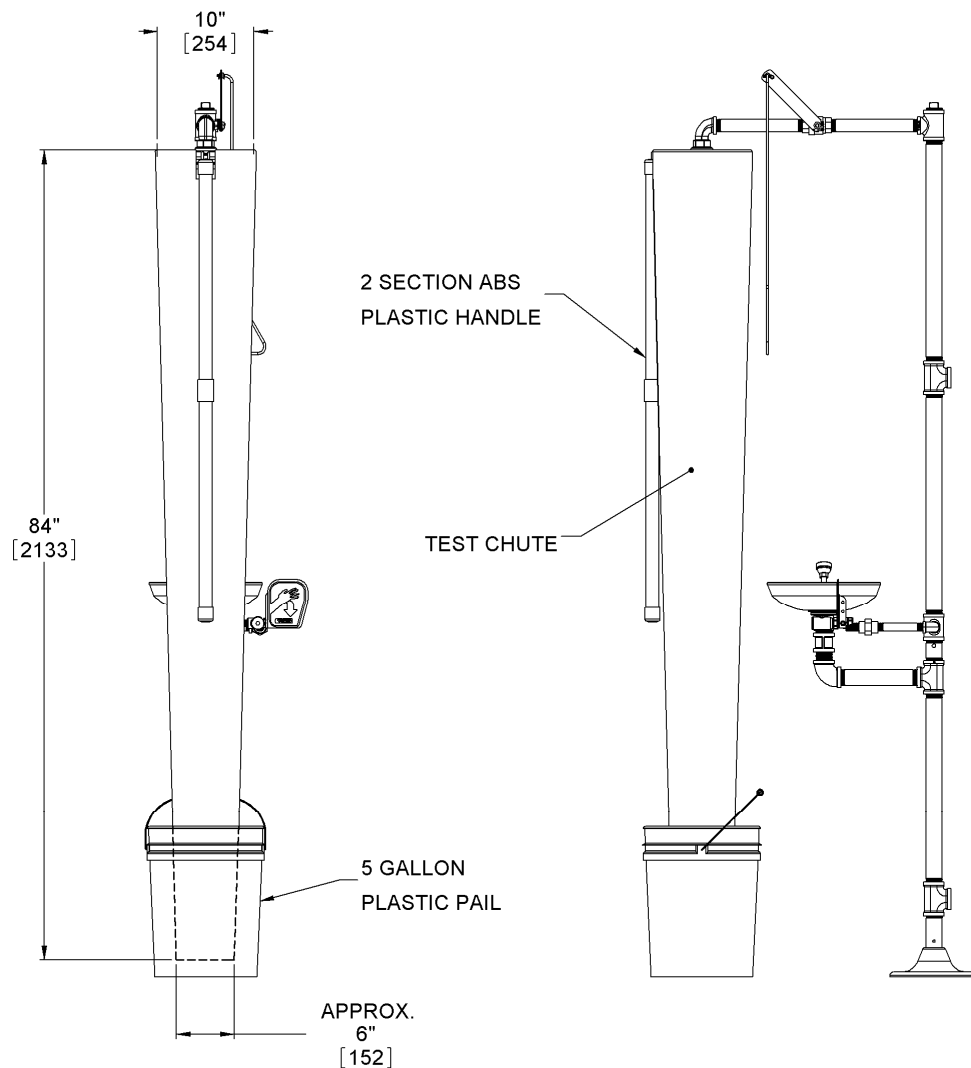
Acorn Safety warrants that its products are free from defects in material or workmanship under normal use and service for a period of one year from date of shipment. Acorn's liability under this warranty shall be discharged solely by replacement or repair of defective material, provided Acorn is notified in writing within one year from date of shipment, F.O.B. Industry, California.

This warranty does not cover installation or labor charges and does not apply to materials, which have been damaged by other causes such as mishandling or improper care or abnormal use. The repair or replacement of the defective materials shall constitute the sole remedy of the Buyer and the sole remedy of Acorn under this warranty. Acorn shall not be liable under any circumstances for incidental, consequential or direct charges caused by defects in the materials, or any delay in the repair or replacement thereof. This warranty is in lieu of all other warranties expressed or implied. Product maintenance instructions are issued with each unit and disregard or non-compliance with these instructions will constitute an abnormal use condition and void the warranty. Stainless steel must be protected on jobsites during construction and must be properly maintained after the water has been introduced into the safety product or Acorn's warranty is void.

## PRELIMINARY STEPS

1. Read the installation instructions prior to beginning the installation
2. Separate parts from packaging and verify all necessary parts are accounted for and undamaged. Obtain missing or damaged parts from Acorn Safety prior to beginning installation.
3. In order to comply with ANSI Z358.1, the safety equipment must be inspected periodically. An inspection tag has been provided for documentation purposes.
4. All employees at risk of contamination should be informed and trained in the use of this and any other safety equipment. The signage provided should be posted appropriately in close proximity to this equipment.

## ROUGH-IN



### NOTES:

1. ALL DIMENSIONS ARE INCHES [MM].
2. SHOWN INSTALLED ON A COMBINATION SHOWER AND EYEWASH, NOT INCLUDED.

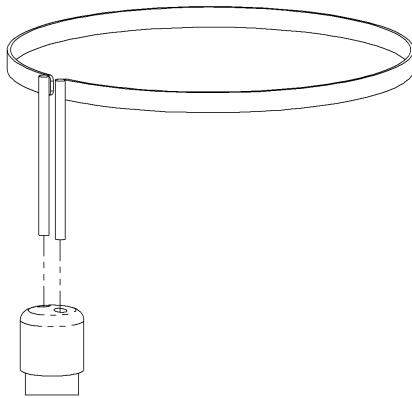
**INSTALLATION INSTRUCTIONS:**

**Step One: Test Chute Assembly**

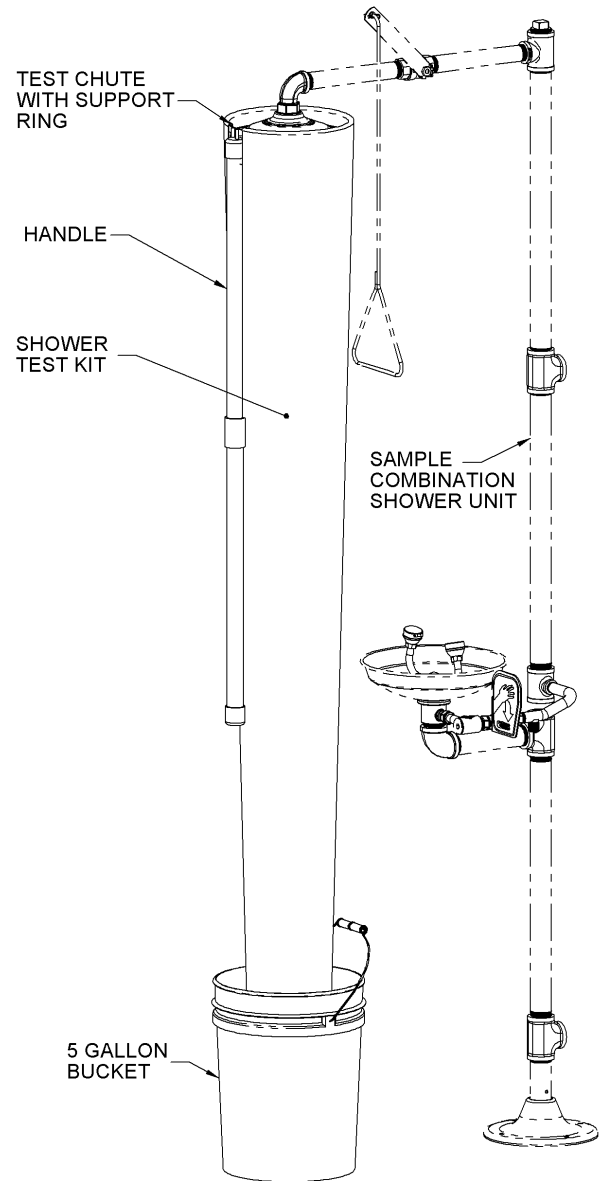
1. Assemble handle by combining the two pieces provided and force fit the two halves together.
2. Using the end of the handle with the two holes, slide handle over curtain ring rods as shown in handle & ring detail below.
3. Once assembled, lift test kit up and over the shower head of the safety shower unit by holding the handle. Be sure that the curtain completely covers the shower head to insure all water travels down the chute. Position the 5 gallon bucket directly underneath the chute to catch test water.

**Step Two: Test Unit**

1. While holding test assembly in place, turn water on to test per manufacturer's instructions. Turn water off when 5 gallon bucket nears capacity.



**HANDLE & RING DETAIL**



PARTS  
LIST

ITEM #	PART NUMBER	DESCRIPTION
1	7102-639-001	CURTAIN RING ASSEMBLY
2	7102-638-002	SHOWER TEST KIT HANDLE
3	7102-640-000	SHOWER TEST CHUTE
4	7102-643-000	5 GALLON TEST BUCKET

