



ACORN SAFETY
P.O. BOX 3527
CITY OF INDUSTRY, CA 91744-0527
UNITED STATES OF AMERICA
www.acornsafety.com

INSTALLATION, OPERATION AND MAINTENANCE INSTRUCTIONS

PARTIALLY ENCLOSED SHOWER WITH #S0406 DRENCH HOSE



Model: S4306

TECHNICAL ASSISTANCE TOLL FREE TELEPHONE NUMBER

1.800.591.9360

TECHNICAL ASSISTANCE FAX: 1.626.855.4894

NOTES TO THE INSTALLER:

- 1. Please leave this documentation with the owner of the fixture when finished.**
- 2. Please read this entire booklet before beginning the installation.**
- 3. Check your installation for compliance with plumbing, electrical, ANSI Z358.1 and other applicable codes.**

LIMITED WARRANTY

UNITED STATES AND CANADA

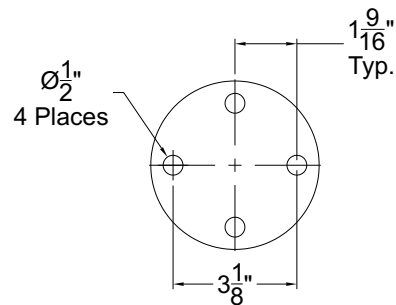
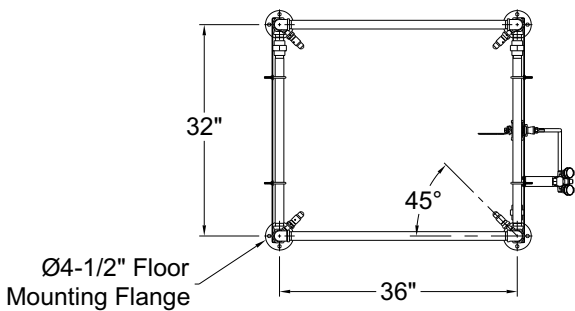
Acorn Safety warrants that its products are free from defects in material or workmanship under normal use and service for a period of one year from date of shipment or 18 months after the date of shipment from factory, whichever comes first. Acorn's liability under this warranty shall be discharged solely by replacement or repair of defective material, provided Acorn is notified in writing within one year from date of shipment, F.O.B. Industry, California.

This warranty does not cover installation or labor charges and does not apply to materials, which have been damaged by other causes such as mishandling or improper care or abnormal use. The repair or replacement of the defective materials shall constitute the sole remedy of the Buyer and the sole remedy of Acorn under this warranty. Acorn shall not be liable under any circumstances for incidental, consequential or direct charges caused by defects in materials, or any delay in the repair or replacement thereof. This warranty is in lieu of all other warranties expressed or implied. Product maintenance instructions are issued with each unit and disregard or non-compliance with these instructions will constitute an abnormal use condition and void the warranty. Stainless steel must be protected on job sites during construction and must be properly maintained after the water has been introduced into the safety product or Acorn's warranty is void.

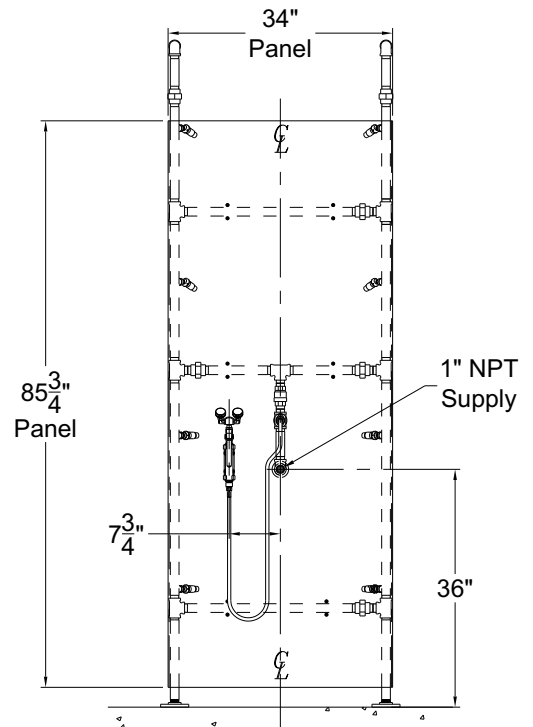
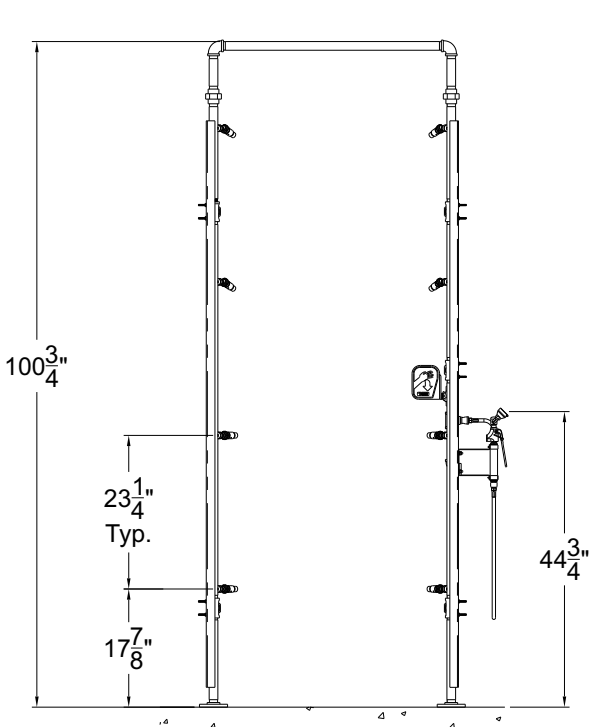
PRELIMINARY STEPS

1. Read the installation instructions prior to beginning the installation.
2. Separate parts from packaging and verify all necessary parts are accounted for and undamaged. Obtain missing or damaged parts from Acorn Safety prior to beginning installation.
3. Flush water supply lines prior to installation. This will remove unwanted debris from the lines and prevent unwanted blockages in the safety equipment.
4. In order to comply with ANSI Z358.1, the safety equipment must be inspected periodically. An inspection tag is provided for documentation purposes.
5. All employees at risk of contamination should be informed and trained in the use of this and any other safety equipment. The signage provided should be posted appropriately in close proximity to this equipment.

ROUGH-IN



FLOOR MOUNTING FLANGE
DETAIL: SCALED x 6



INSTALLATION INSTRUCTIONS:

Supplies required: (not provided by Acorn)

1. Floor fastener anchors, washers and bolts.
2. Pipe Sealant or Teflon tape for sealing waste connections.

IMPORTANT: FLUSH WATER SUPPLY LINES PRIOR TO CONNECTION TO SAFETY EQUIPMENT.

NOTES:

- Use hand tools and wrenches in a manner which will prevent marring finished surfaces. Strap wrenches or tools with plastic jaw linings are highly recommended.
- Refer to Rough-in for location of supply.
- Fragments of Teflon tape or pipe sealant residue can interfere with the proper operation of this unit. Ensure pipe sealant methods do not cause contamination in the system.
- Prior to beginning assembly, TURN OFF water supply to 1" NPT potable water supply line.

STEP ONE: SHOWER FRAME

1. Locate and assemble components "A, B, C & D" to create shower frame.
2. While holding the assembly in position, mark floor flange "E" mounting hole positions. Refer to rough-in for details.
3. Remove assembly and install appropriate anchors to receive mounting bolts and washers "F", provided by installer.

STEP TWO: SHOWER VALVE HANDLE

1. Assemble valve push handle "G" to valve stud "H" and secure with nut "I". See Detail "AA".

STEP THREE: #S0406 DRENCH HOSE

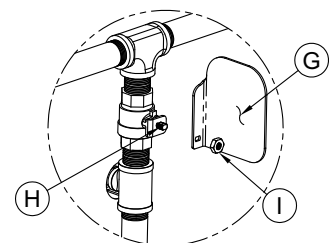
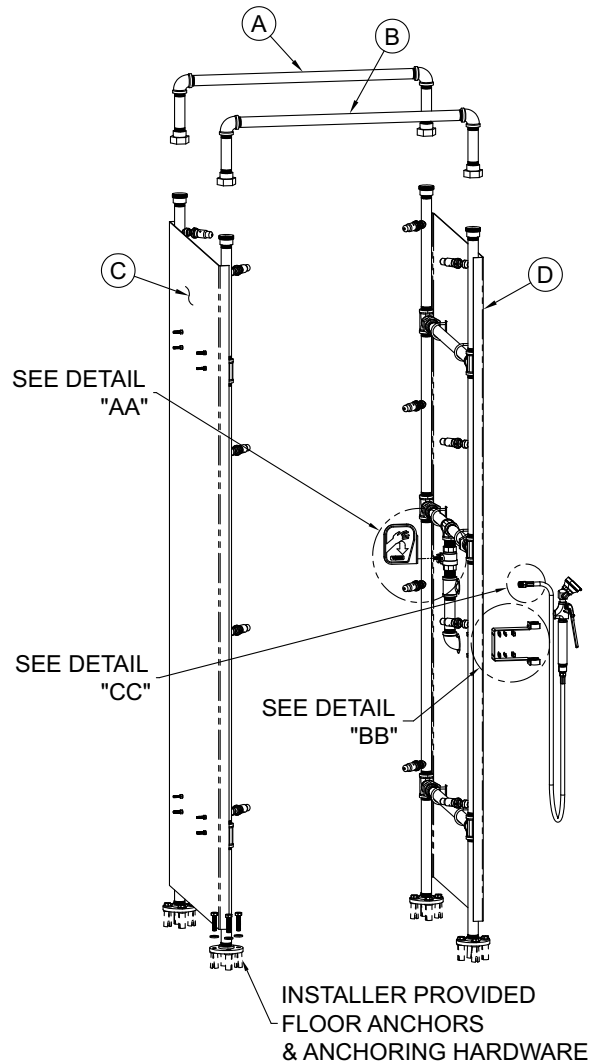
1. Insert installer provide bolts "J" through provided punching on panel assembly "D".
2. Install drench hose bracket "K" onto installer provided bolts "J" and secure with installer provided nuts and washers "L". See Detail "BB".
3. Connect drench hose "M" into 3/8" NPT connection "N".

STEP FOUR: TEST

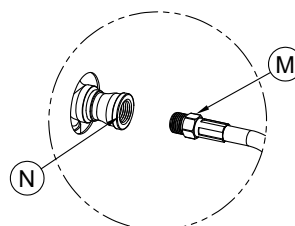
1. Verify 1" supply valve for showerheads is turned OFF and handle for drench hose is not depressed (open).
2. Turn on water supply to 1" potable water supply.
3. Inspect system for leaks.
4. Verify shower and drench hose flow properly.

STEP FIVE: SIGNAGE

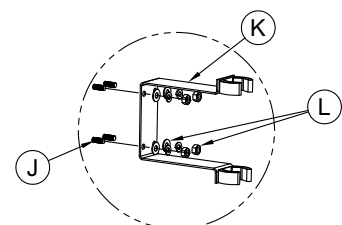
1. Install signs "O" per local and federal code.



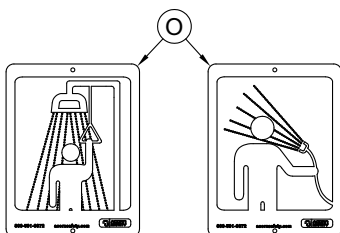
DETAIL "AA"
SCALED x 2-1/2



DETAIL "CC"
SCALED x 4



DETAIL "BB"
SCALED x 2-1/2



SCALED x 2

OPERATION INSTRUCTIONS:

Employees who work with hazardous materials should become familiar with the location and operation of the nearest emergency plumbing fixture. Emergency plumbing fixtures stations are simple to use and require hands free operation once the station is activated. Regular instruction regarding proper care and use will increase confidence that the units are accessible and function properly.

The route and area surrounding the Eye Wash should be clear and unobstructed; the sooner eyes are flushed, the less likelihood of damage. Eye Wash stations should be located in close proximity to the hazard and take no more than 10 seconds to reach. In the case of severe eye contamination the victim may require assistance to the Eye Wash station and help flushing their eyes.

Safety plumbing fixture equipment should be operated weekly for a period long enough to verify operation, clear the supply line of any sediment build-up and minimize microbial contamination due to sitting water.

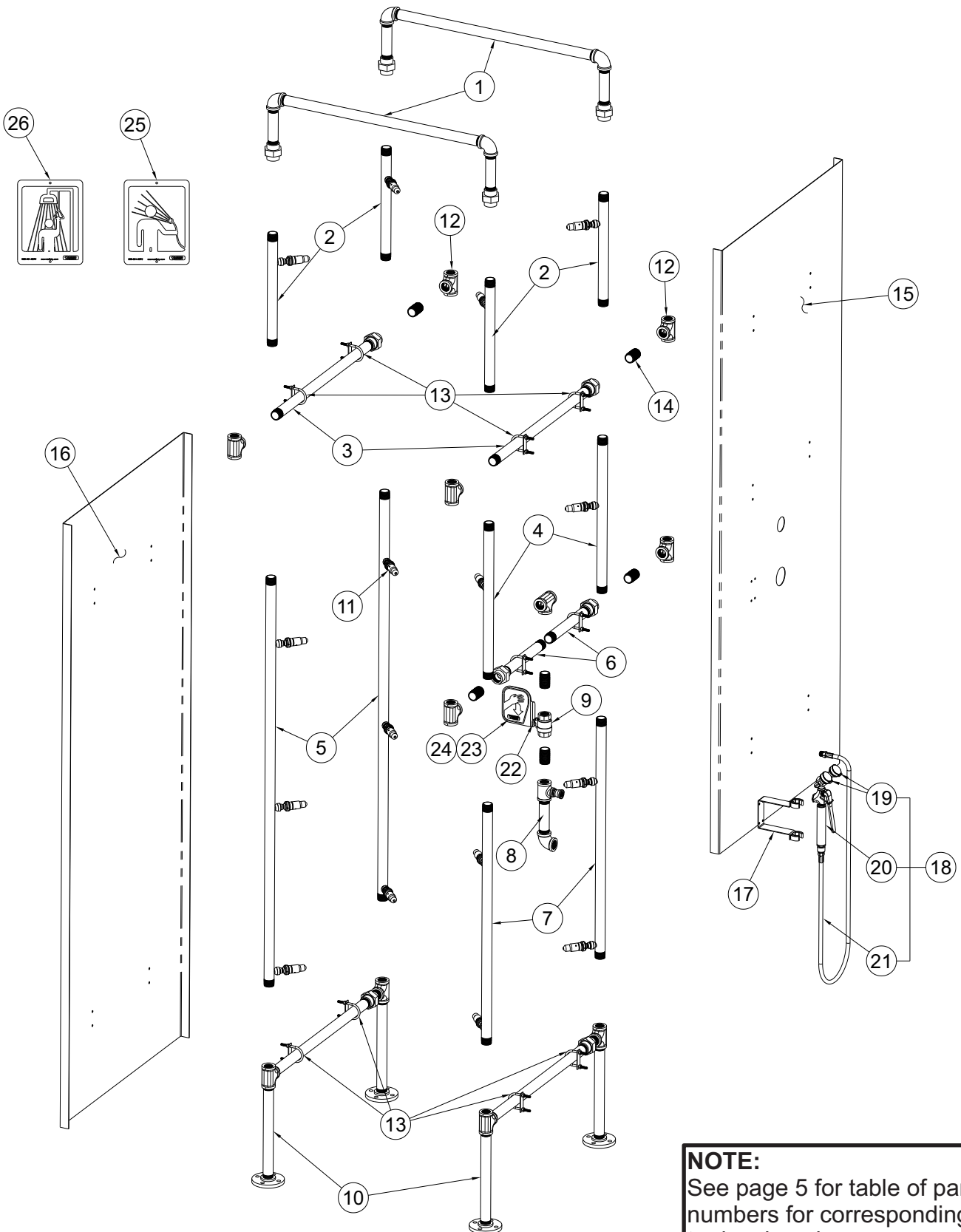
1. To start the Enclosed Shower, push the paddle to the horizontal or fully "ON" position. Flushing should start, popping the spray nozzle caps open.
2. Stand directly in the spray pattern. Clothing should be removed immediately prior to or during the rinsing to prevent contamination from remaining against the body causing unnecessary injury and pain. Accept assistance removing shoes and clothing.
3. Completely rinse with arms and legs separated for approximately 15 minutes or until medical personnel arrive. Be prepared to inform medics on the type of substance that is causing the injury or contamination.
4. When finished return the push paddle to the vertical or fully "OFF" position. Flushing fluid should stop.

MAINTENANCE GUIDE:

Maintain and inspect in accordance with ANSI Z358.1-2009

1. Check for obvious signs of wear, broken or defective equipment. Re-paint if necessary. Replace missing or defective equipment such as broken push paddles, missing signs and inspection tags.
2. Operate Enclosed Shower using the pull handle to place ball valve in the fully "ON" position checking for smooth operation of valve push paddle mechanism. If the ball valve does not operate smoothly check the actuating assembly for binding or missing parts.
3. Return push handle to vertical or fully "OFF" position.

PARTS LIST



NOTE:
See page 5 for table of part numbers for corresponding to drawing above.

PARTS LIST

ITEM	PART NUMBER	DESCRIPTION
1	7100-473-022	UPPER ASSEMBLY
2	1936-047-002	1" NPT x 15-7/8" LONG NOZZLE RAIL
3	1936-050-022	1" NPT x 26-7/8" LONG PIPE w/ UNION
4	1936-049-022	1" NPT x 22" LONG NOZZLE RAIL
5	1936-046-022	1" NPT x 58" LONG NOZZLE RAIL
6	1936-051-022	1" NPT x 10-7/8" LONG PIPE w/ UNION
7	1936-048-022	1" NPT x 34" LONG NOZZLE RAIL
8	7100-472-022	SUPPLY INLET & HOSE CONNECTION ASSEMBLY
9	7100-103-000	1" NPT CHROME PLATED BRASS BALL VALVE
	7100-100-000	1" NPT STAINLESS STEEL BALL VALVE
10	7100-471-022	LOWER ASSEMBLY
11	1180-002-001	UNIVERSAL BALL JOINT SHOWER NOZZLE
12	7100-480-022	1" NPT "TEE"
13	0352-013-000	STAINLESS STEEL U-BOLT
14	1936-011-022	1" NPT x 2" LONG CLOSE NIPPLE
15	7105-071-199	STAINLESS STEEL FRONT PANEL
16	7105-070-199	STAINLESS STEEL BACK PANEL
17	7105-065-001	DRENCH HOSE MOUNTING BRACKET
18	7105-059-001	#S0406 DRENCH HOSE ASSEMBLY
19	7101-100-001	EYEWASH SPRAY HEAD ASSEMBLY
20	7105-054-000	DRENCH HOSE HANDLE
21	7105-057-000	8' FLEXIBLE PVC REINFORCED HOSE
22	7100-484-199	BALL VALVE STOP
23	7100-483-199	VALVE PUSH HANDLE
24	7100-400-000	PUSH HANDLE LABEL
25	7100-405-000	DRENCH HOSE PLACARD
26	7100-403-000	SAFETY SHOWER PLACARD