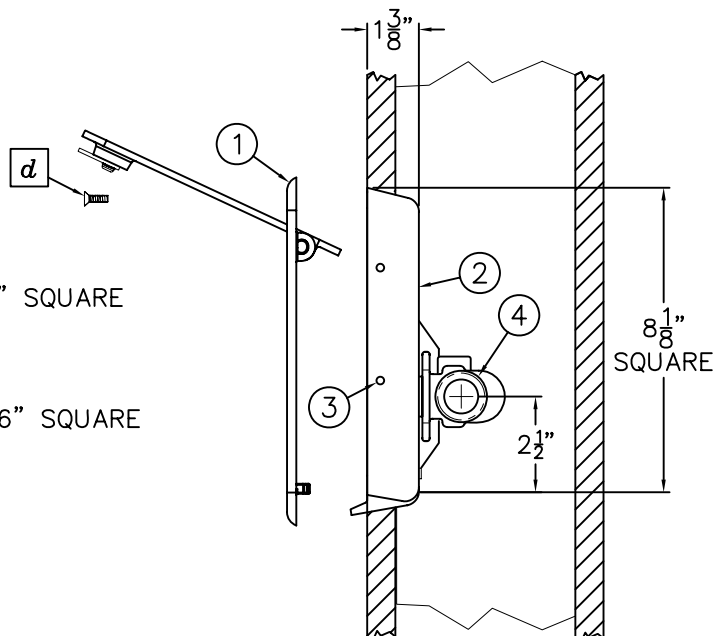
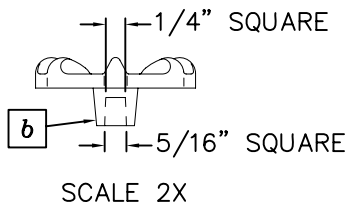
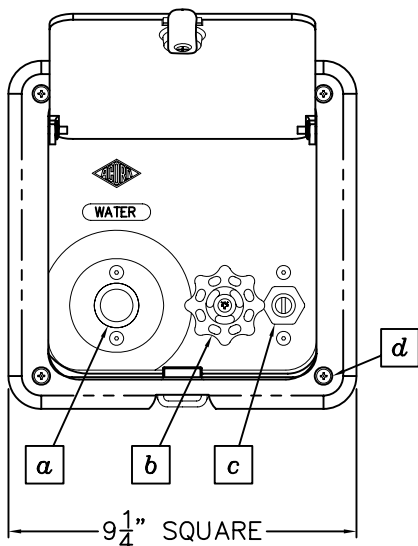


REFERENCE DRAWINGS	
REPAIR PARTS	9989-015-001

- a** 3/4" MALE HOSE THREAD.
- b** REMOVABLE WHEEL LOOSE KEY HANDLE
1/4" - 5/16" SQUARE TAPER.
- c** LOCKSHIELD SCREWDRIVER STOP.
- d** STAINLESS STEEL #10-32 X 5/8" LG.
WALL FLANGE / DOOR ANCHORING SCREWS.
- e** HOSE END VACUUM BREAKER INCLUDED ON
MODELS 8102 & 8104.



INSTALLATION INSTRUCTIONS:

- A-REMOVE THE WALL FLANGE OR DOOR FRAME ① SHOWN FROM THE BOX ② .
- B-SELECT RECESSED MOUNTING LOCATION AND BLOCK OUT AND/OR PROVIDE ADEQUATE WALL BACKING OR FRAMING BY OTHERS.
- C-USING MOUNTING HOLES ③ , POSITION AND SECURE THE BOX TO THE STUD FRAMING OR WALL BACKING WITH THE BOX OPENING FLUSH WITH THE FINISHED WALL. PLUMB AND LEVEL AS REQUIRED.
- D-MAKE UP SUPPLY CONNECTIONS (HOT AND COLD) TO VALVE INLET ④ 3/4" NPTI AND TEST FIXTURE FOR LEAKS AND OPERATION.

DOOR FRAME SHOWN (MODELS 8103, 8104)

- E-INSTALL WALL FLANGE OR DOOR FRAME ① TO THE RECESSED BOX ② TO COMPLETE THE INSTALLATION.

NOTE: THE BOX CAN BE MOUNTED SO THE SUPPLY CONNECTION IS ORIENTATED TO ACCEPT THE INCOMING SUPPLY LINE.

NOTE: MAXIMUM RECOMMENDED WORKING WATER PRESSURE IS 100 PSI; MAXIMUM TEMPERATURE IS 130° F.

WARNING: PRIOR TO MAKING INSTALLATION, SUPPLY LINES MUST BE FLUSHED OF ALL FOREIGN MATERIAL SUCH AS PIPE DOPE, CHIPS, SOLDER, ETC. VALVE MUST BE DRAINED PRIOR TO BEING SUBJECTED TO FREEZING TEMPERATURES.



ACORN ENGINEERING COMPANY
P.O. BOX 3527 INDUSTRY, CA. 91744
(626) 336-4561 FAX (626) 961-2200

TITLE 8101 SERIES RECESSED HOSE BOX		
MANUFACTURE DATE JUNE 1995 TO PRESENT	DATE ISSUED 03/11/10	DRAWING NUMBER 9901-020-001
	DATE REVISED 08/25/11	