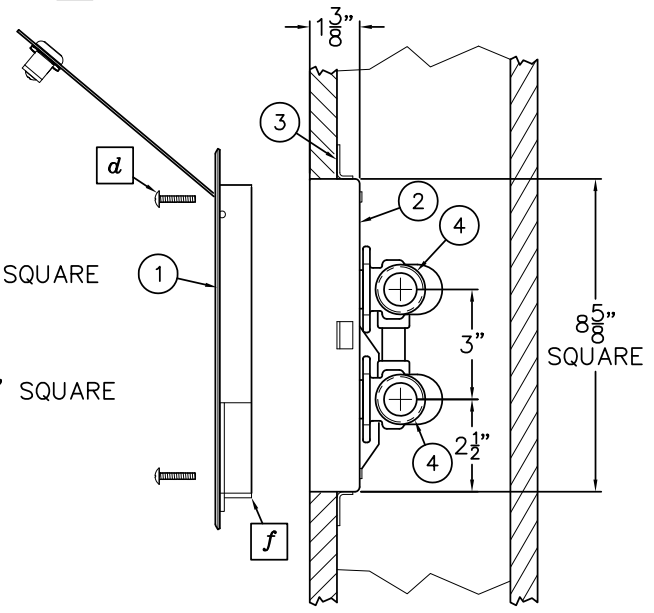
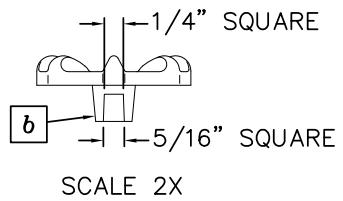
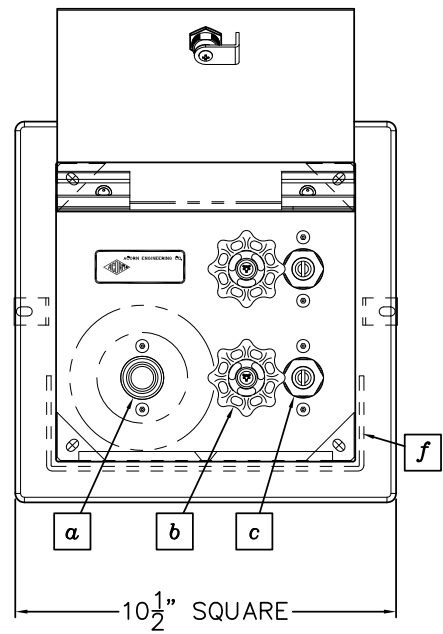


REFERENCE DRAWINGS	
REPAIR PARTS	9989-021-002
BITS & DRIVERS	9951-001-002

- a** 3/4" MALE HOSE THREAD.
- b** REMOVABLE WHEEL LOOSE KEY HANDLE 1/4"-5/16" SQUARE TAPER.
- c** LOCKSHIELD SCREWDRIVER STOPS.
- d** STAINLESS STEEL #10-32 UNF x 1" LONG WALL FLANGE / DOOR ANCHORING SCREWS.
- e** HOSE END VACUUM BREAKER INCLUDED ON MODELS 8146 & 8156.
- f** GRAY FOAM WEATHERSTRIPPING TAPE.



**WALL FLANGE (MODELS 8145, 8146)
DOOR FRAME SHOWN (MODELS 8155, 8156)**

INSTALLATION INSTRUCTIONS:

- A- REMOVE THE WALL FLANGE OR DOOR FRAME ① SHOWN FROM THE BOX ②.
- B- SELECT RECESSED MOUNTING LOCATION AND BLOCK OUT AND/OR PROVIDE ADEQUATE WALL BACKING OR FRAMING BY OTHERS.
- C- USING MOUNTING TABS ③, POSITION AND SECURE THE BOX TO THE STUD FRAMING OR WALL BACKING WITH THE BOX OPENING FLUSH WITH THE FINISHED WALL. PLUMB AND LEVEL AS REQUIRED.
- D- MAKE UP SUPPLY CONNECTIONS (HOT AND COLD) TO VALVE INLET ④ 3/4" NPTI AND TEST FIXTURE FOR LEAKS AND OPERATION.

- E- INSTALL WALL FLANGE OR DOOR FRAME ① TO THE RECESSED BOX ② TO COMPLETE THE INSTALLATION.

NOTE: THE BOX CAN BE MOUNTED SO THE SUPPLY CONNECTION IS ORIENTATED TO ACCEPT THE INCOMING SUPPLY LINE.

NOTE: MAXIMUM RECOMMENDED WORKING WATER PRESSURE IS 100 PSI; MAXIMUM TEMPERATURE IS 130° F.

WARNING: PRIOR TO MAKING INSTALLATION, SUPPLY LINES MUST BE FLUSHED OF ALL FOREIGN MATERIAL SUCH AS PIPE DOPE, CHIPS, SOLDER, ETC. VALVE MUST BE DRAINED PRIOR TO BEING SUBJECTED TO FREEZING TEMPERATURES.

ACORN ENGINEERING COMPANY P.O. BOX 3527 Industry, CA 91744 15125 Proctor Ave Industry, CA 91746 (626) 336-4561 FAX (626) 961-2200	TITLE 8145 SERIES RECESSED HOSE BOX (HOT AND COLD)		
	MANUFACTURE DATE SEPTEMBER 1971 TO PRESENT	DATE ISSUED 03/11/10	DRAWING NUMBER 9901-040-001
	DATE REVISED 02/17/12		